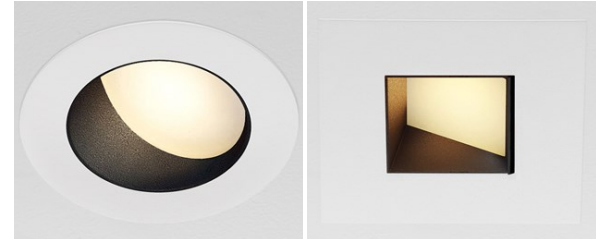


# 2 SERIES HAL

# WALLWASH

Our smallest aperture family of pin-hole fixtures offers high-output illumination for high-drama design statements in discerning residential, retail, and hospitality environments.

PROJECT NAME:	TYPE:
---------------	-------

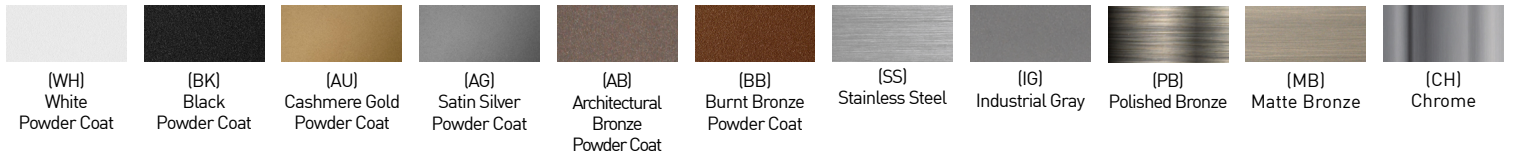


## ORDERING INFORMATION



JA8-2019 INDICATED BY SHADING

FITTING	RATING	FLANGE FINISH	INSTALL TYPE	CEILING THICKNESS	POWER SUPPLY	EFFECTS DEVICE	FLANGE CONFIGURATION	WATTAGE RESTRICTION
2RW Round Expanded 2SW Square Expanded	1 Dry / Damp 2 Wet* <i>*(Lens sealed in place)</i>	WH White BK Black AU Cashmere Gold AG Satin Silver PR Primer AB Architectural Bronze BB Burnt Bronze SS Stainless Steel* <i>*(Increased lead time)</i> IG Industrial Gray PB Polished Bronze* <i>*(Increased lead time)</i> MB Matte Bronze* <i>*(Increased lead time)</i> CH Chrome* <i>*(Increased lead time)</i> CF Custom* <i>*(Consult Factory)</i>	NC NIC* <i>*(37 W Max)</i> IC IC* <i>*(37 W Max)</i> AT IC, Airtight, Chicago Plenum* <i>*(37 W Max)</i>	1 0.50"-0.75" 2 0.76"-1.25"	Domestic (120V) EZZ ELV/0-10V* <i>*(37W max Halogen, 15W max LED, ships with MR16 socket, TL24 JA8-2016 compliant when used with 7.5W or 9W Vivid Series Soraa lamp)</i> QT2 Q-Tran / Toroid* <i>*(37W max Halogen, 15W max LED, ships with MR16 socket, TL24 JA8-2016 compliant when used with 7.5W or 9W Vivid Series Soraa lamp)</i> RMT Remote* <i>*(37W max Halogen, 15W max LED, ships with MR16 socket, TL24 JA8-2016 compliant when used with 7.5W or 9W Vivid Series Soraa lamp)</i> MVH Mains Voltage Halogen* <i>*(Ships with GU10 socket, power supply not provided)</i>	WL Walwash Lens	F Flange Overlay (No Applique) G Zero Sightline - Gypsum (1/16" Applique)* <i>*(Not available for wet location)</i> P Zero Sightline - Plaster (1/8" Applique)* <i>*(Not available for wet location)</i>	Optional Label WRL** Wattage Restriction Label  <i>(** Maximum Wattage) Ex For 9 Watt maximum label, specify "WRL09"</i>  Leave blank unless specifying optional configuration



## ACCESSORIES

**ROUTER TOOL GUIDE** (Dry / Damp locations only)  
Recommended for Zero-Sightline installations in wood ceilings.

- DLA-RTG-2S-RD** Tool, router guide, round; reusable
- DLA-RTG-2S-SQ** Tool, router guide, square; reusable

## EMERGENCY LIGHTING - REMOTE MOUNT ONLY

During disruption of main power, emergency battery inverter provides temporary 120V or 277V to fixture.

- EMB-S-20/25-120/277-LEDX** 20/25 watt max capacity, 120 or 277 VAC 60Hz, Non-Dimmable
- EMB-S-100-120-LEDX** 100 watt max capacity, 120 VAC 60Hz, Dimmable
- EMB-S-100-277-LEDX** 100 watt max capacity, 277 VAC 60Hz, Dimmable
- EMB-S-250-120/277-LEDX** 250 watt max capacity, 120 or 277 VAC 60Hz, Dimmable

# 2 SERIES HAL WALLWASH

---

## SORAA VIVID SERIES MR-16 LED LAMPS



- S-SM16-07-36D-927-03** 7.5W, 95CRI, 2700K, 36° Flood
- S-SM16-07-36D-930-03** 7.5W, 95CRI, 3000K, 36° Flood

---

## SORAA BRILLIANCE SERIES MR-16 LED LAMPS

- S-SM16-07-36D-827-03** 7.5W, 80CRI, 2700K, 36° Flood
- S-SM16-07-36D-830-03** 7.5W, 80CRI, 3000K, 36° Flood

---

## MR-16 HALOGEN LAMPS

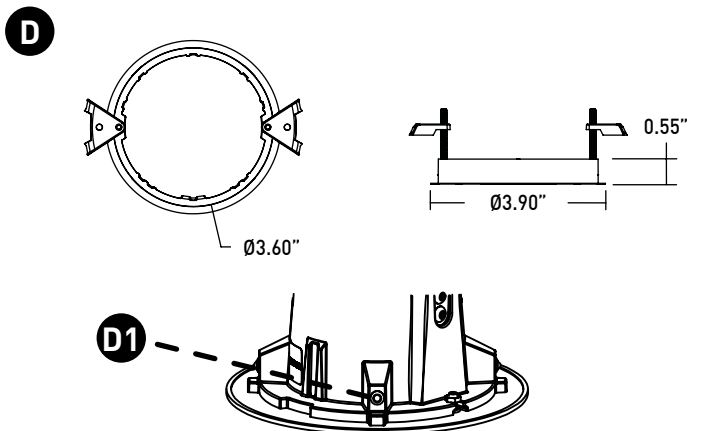
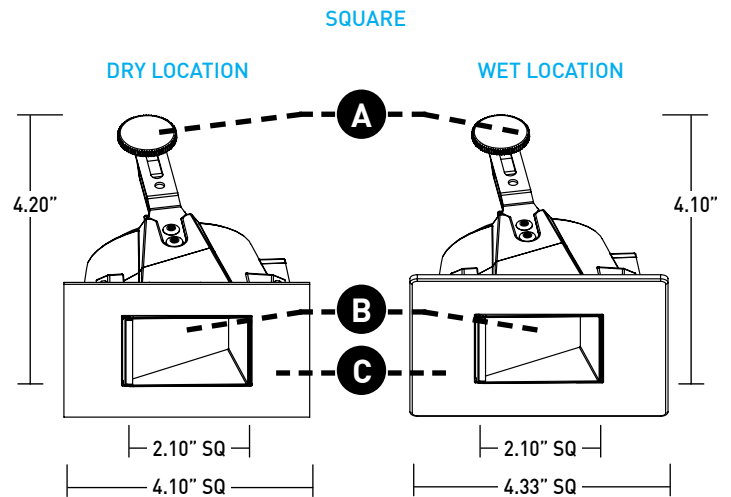
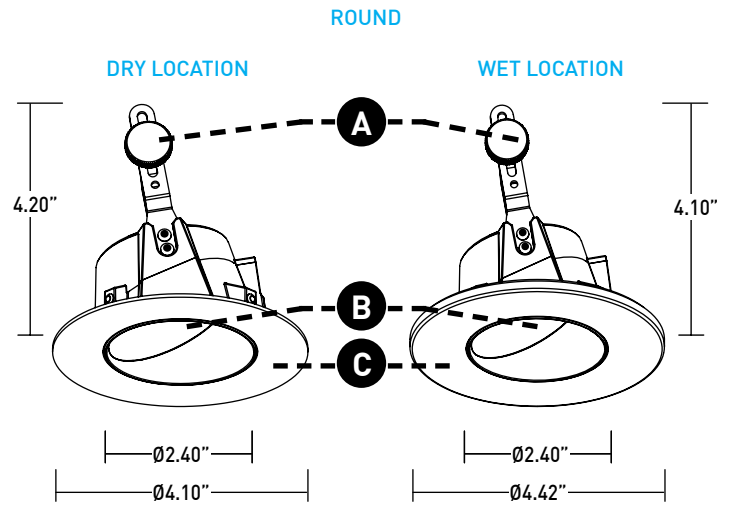
- 12-37-HRIR-FL** 37W IR Halogen 35° Flood

# 2 SERIES HAL WALLWASH

## DOWNLIGHT

Die-cast baffle and precision kick reflector provide dynamic wall grazing and minimal aperture glare.

- A** **ADJUSTABLE YOKE**  
Adjustable yoke allows for quick exchange of lamp and effects devices. Accommodates up to 2 effects devices.
- B** **EFFECTS DEVICES**  
Wallwasher lens included and sealed in wet location fixture.
- C** **TRIM PLATE**  
Wet location features integral silicone gasket.
  - Dry / Damp Location: Thickness measures 0.065"
  - Wet Location: Sealed aperture and integral silicone gasket. 0.15" return, installed as flange overlay only.
- D** **DOWNLIGHT TRIM ADAPTER**  
Included with fixture and required for installation. Uses (2) #6-32 flat-head screws with varying lengths to accommodate ceiling depth. Installed after ceiling is complete. Requires 3.75" cutout for flange overlay applications.
- D1** **RETENTION**  
Engineered integral ball plungers correspond to trim adaptor ensuring snug fit against finished ceiling.



# 2 SERIES HAL WALLWASH

## HOUSING

- E NO INSULATION CONTACT (NON-IC) HOUSING**
- Included with NC install types.
  - Minimum 0.50" setback from combustible and non-combustible materials on all sides and top of housing.
  - Minimum 3.00" setback from insulation material having max R-Value 30 on all sides and top of housing.
  - Minimum 6.00" setback from polycell spray foam insulation having max R-Value 60.
- F INSULATION CONTACT (IC) HOUSING**
- Included with AT and IC install types
  - No setback from polycell spray foam insulation having max R-Value of 60 on all sides and top of IC housing.

## HOUSING / MOUNTING NOTES

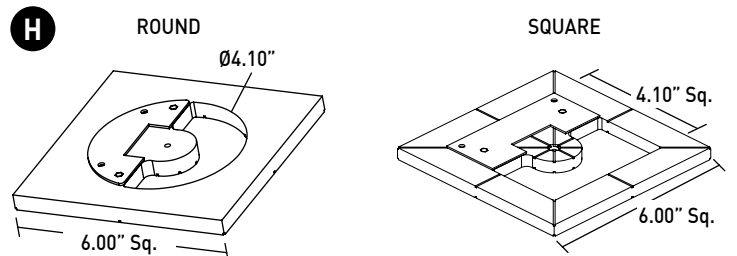
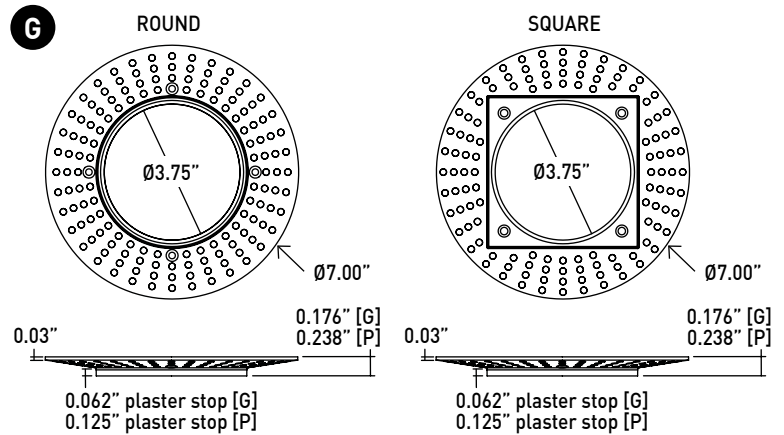
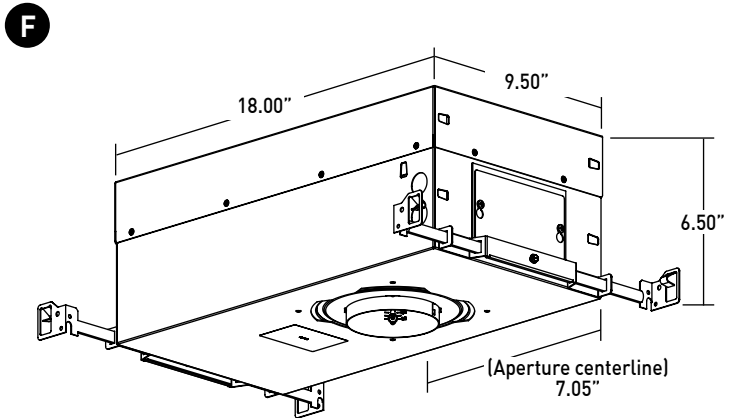
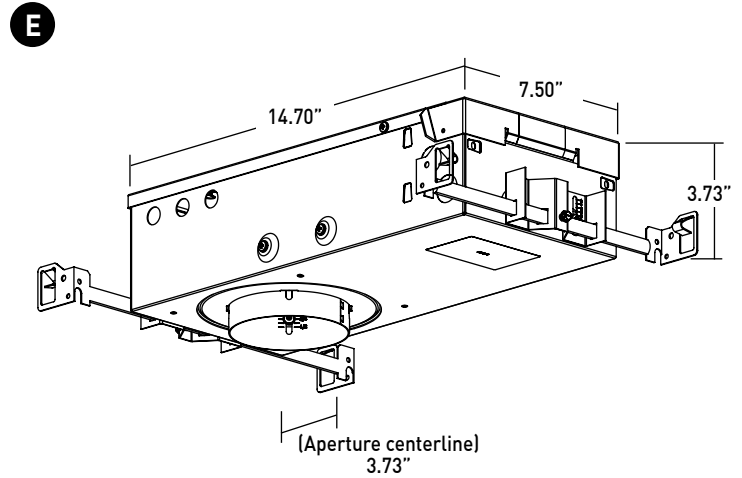
- AT install type is required for Chicago Plenum, Airtight and Title 24 (JA8) applications.
- Do not install in environments where ambient temperatures exceed 40°C (104°F).
- Power supply compartment and all splice connections may be serviced from room side.
- Consult factory for spacing requirements for any installations exceeding R-Value 60.
- Hanger bars fitted to short side of housing, and long side of Low Flux housings; extend from 14.0" to 24.0", but may be field cut to accommodate narrow stud spacing.
- Hanger bars and brackets add 4.00" to the overall dimension, but are exclusive of the setback requirements.
- Driver assembly ships with trim, not housing. Housing and trim feature mating quick-connect plugs for ease of installation.

## ZERO-SIGHTLINE INSTALLATIONS

Zero-Sightline installations available for Dry / Damp location fixtures only. When installed according to manufacturer's instructions and ceiling conditions are met, fixture is flush with the ceiling plane. Consult 2-Series Installation Guidelines for appropriate ceiling cutouts and instructions for proper Zero-Sightline installations.

- G APPLIQUÉ**
- Specified on Flange Configuration and ships with housing; ships separately on remodel installations.
  - For use in sheetrock ceiling applications.
  - 1/16" Appliqué (G Flange Configuration) recommended for gypsum ceiling installations and has plaster stop thickness of 1/16".
  - Recommended for painted ceiling applications.
  - 1/8" Appliqué (P Flange Configuration) offers double thick plaster stop of 1/8" where a heavier application of mud is preferred. Recommended for colorfast and venetian plaster applications.
  - Not recommended for stucco applications.
- H ROUTER TOOL GUIDE**
- Specified separately and used with Flange Overlay configurations.
  - For use in wood ceiling applications.
  - **DLA-RTG-2S-RD** or **DLA-RTG-2S-SQ** required for wood Zero-Sightline ceiling installations.
  - Router tool guide is reusable and suitable for multiple fixtures.

## DIMENSIONS / DRAWINGS



# 2 SERIES HAL WALLWASH

## TECHNICAL

### CONSTRUCTION

Downlight: Steel and aluminum; Painted finishes are granulated powder coat.

Trim Adaptor: High impact composite and stainless steel.

Housing: Steel and aluminum.

Appliqué: Zinc alloy.

### LAMP

MR-16 halogen and LED; 12-volt GU5.3 base and line / mains GU10 base. To ensure optimal results, it is recommended to specify lamps supplied by Lucifer Lighting. Note: MR-16 LED lamps, other than those listed, must be independently confirmed as compatible by the corresponding lamp manufacturer. Consult factory for assistance.

### DIMMING PROTOCOL

Best achieved using a corresponding reverse phase control for power supplies designated EZ2" outfitted with electronic transformers and a forward phase control for power supplies designated "QT2" outfitted with toroid magnetic transformers. Compatibility and performance may vary between controls and applied loads.

WARNING: PHASE ADAPTIVE DIMMING MUST BE LOCKED AS FORWARD PHASE TO AVOID CATASTROPHIC FAILURE OF TOROID TRANSFORMERS0.

### SPACING

Recommended fixture spacing is 36 on center with 36 setback from wall plane.

### LISTING

cTUVus listed to UL1598 Dry / Damp and Wet locations. Chicago Plenum, Airtight and Title 24 JA8-2019 Listed.

### TITLE 24 JA8-2019 COMPLIANCE

Fixtures outfitted with any Vivid Series Sora lamp (7.5W or 9W) are approved for TL24 JA8-2019.

### WARRANTY

Manufacturer's 1-year warranty, from the date of shipment by Seller, on all Lucifer Lighting provided system components. Consult website for full warranty terms and conditions. Lamps not covered under warranty.

### CHANGE LOG

1.02/10/2020: ADDED CHICAGO PLENUM TO AT HOUSING DESCRIPTION.