

INSTALLATION INSTRUCTIONS

0/1 SERIES ADJUSTABLE & FLANGE OVERLAY



WARNINGS

Read installation instructions completely before attempting installation and contact Lucifer Lighting Company with any questions or concerns.

To reduce the risk of fire, electric shock, and potential damage to fixture when electrical power is re-connected, **DO NOT ATTEMPT TO CONNECT** the following on branch circuit serving fixture:

- Motors
- Power tools
- Extension cords
- Appliances or similar electronics

“CAUTION– RISK OF FIRE” This product must be installed in accordance with applicable electrical and installation codes by a person familiar with the construction and operation of the product and the hazards involved.

Fixtures to be mounted in conditions where ambient temperatures do not exceed 40°C.

Ensure AC input voltage is protected against surges & load shifts prior to power supply input.

Failure to follow instructions may result in improper installation and void warranty.

For full warranty terms visit:
www.luciferlighting.com/warranty

Ensure qualified electrician performs all electrical procedures.

Disconnect electrical power circuit before attempting installation, or if adding to or changing configuration of the fixture.

INDEX

IC / Non-IC Housing Installation	2
Remodel / Export Installation	3
Trim Installation	4
Trimless Gypsum	5
Trimless Millwork	6
Tilt and Rotation	8
Wiring Diagrams	9

HARDWARE LIST

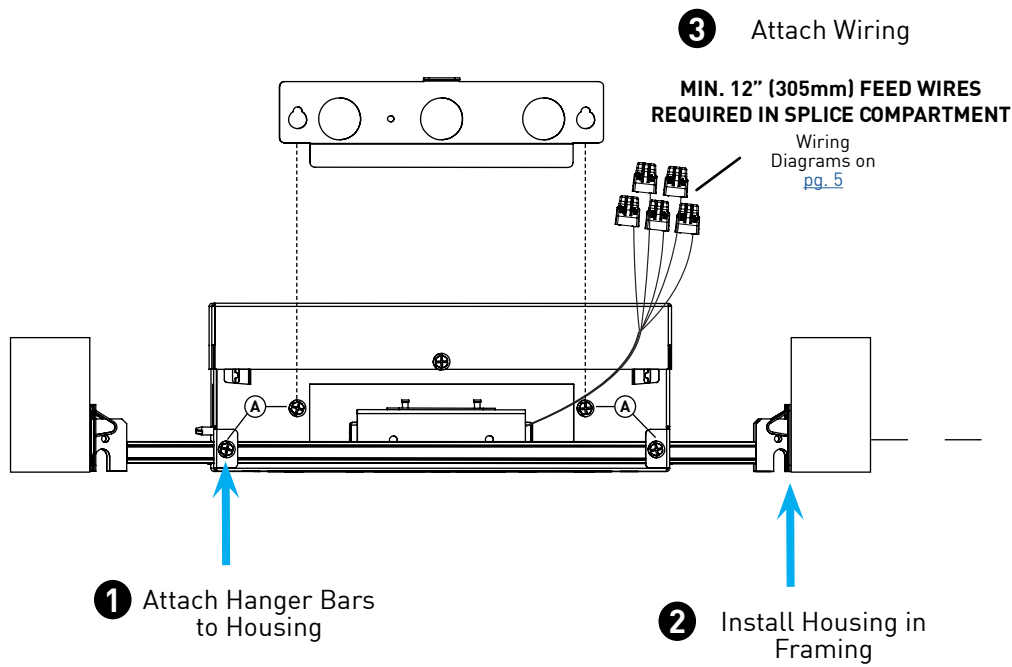
ITEM	DESCRIPTION	QTY
(A)	SCREW, #1 PHILIPS, HEX HEAD, #8-32 X 1/2"	6
(B)	SCREW, #1 PHILIPS, HEX HEAD, #8-32 X 3/8"	2

INSTALLATION INSTRUCTIONS

0/1 SERIES ADJUSTABLE & FLANGE OVERLAY

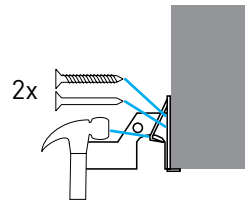


IC / NON-IC HOUSING INSTALLATION

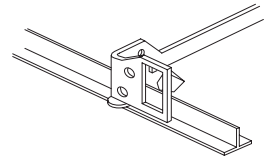


BAR INSTALLATION

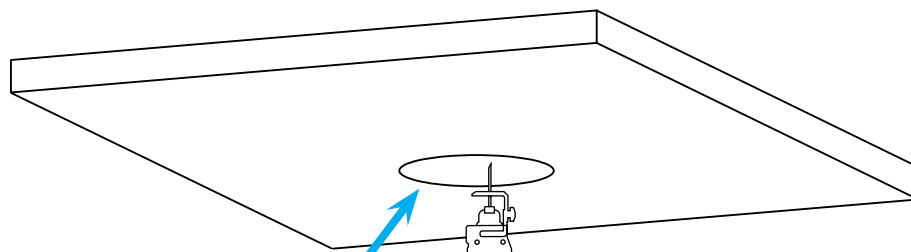
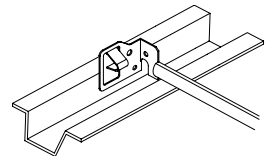
Wood / Metal Studs



T-Bar Frame



Furring Channel



ALL INSTALLATIONS

2-3/4" Diameter
(70mm Diameter)

4 Make Ceiling Cutout

INSTALLATION INSTRUCTIONS

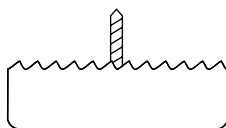
0/1 SERIES ADJUSTABLE & FLANGE OVERLAY



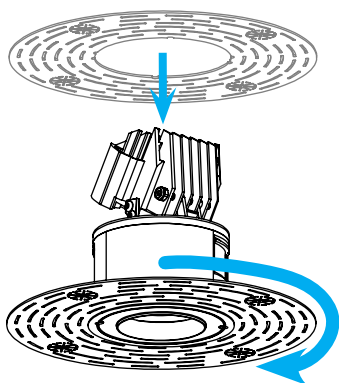
REMODEL / EXPORT INSTALLATION



- 1** Make Ceiling Cutout
ALL INSTALLS
2-3/4" Diameter
(70mm Diameter)



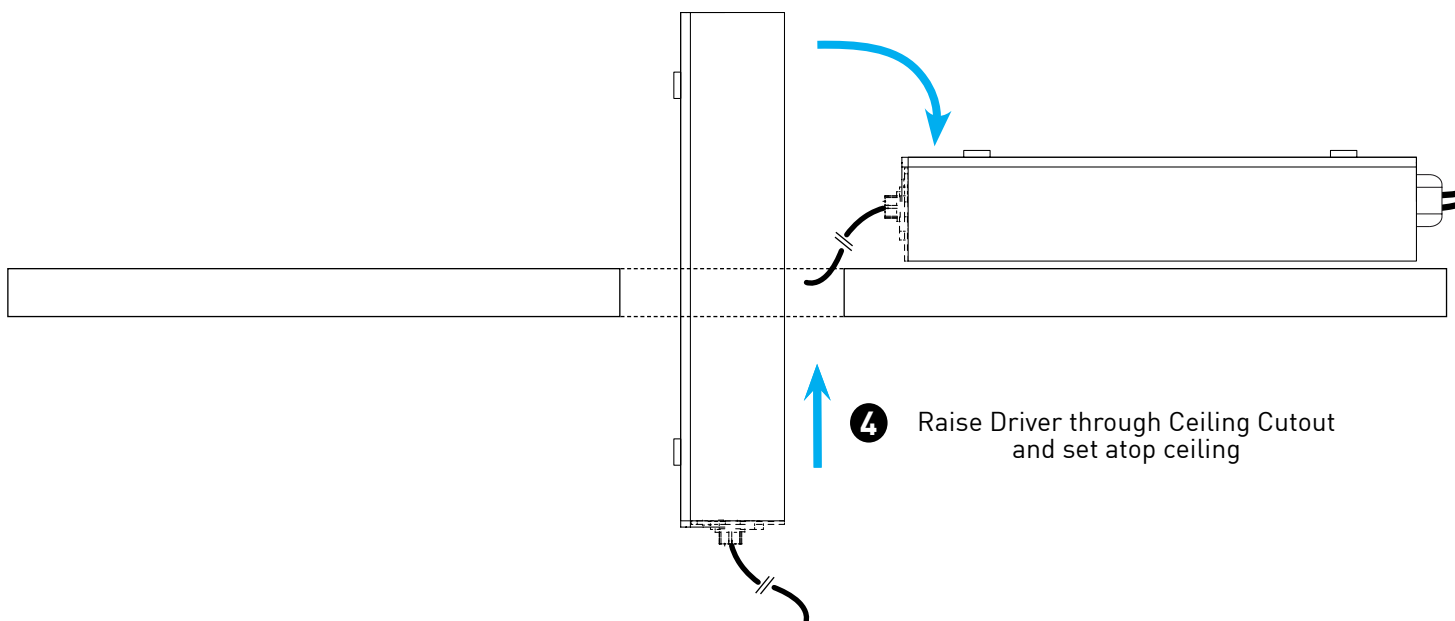
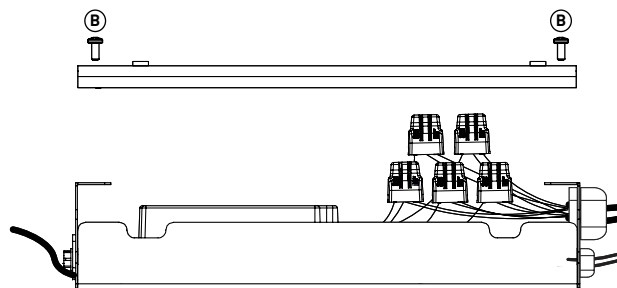
TRIMLESS GYPSUM /
ZERO-SIGHTLINE GYPSUM



- 2** Install outer appliqué over trim
aligning it with set screws and
rotate clockwise to secure.
(N/A for Flange Overlay)

- 3** Make Wiring Connections

Wiring
Diagrams on
[pg. 5](#)



- 4** Raise Driver through Ceiling Cutout
and set atop ceiling

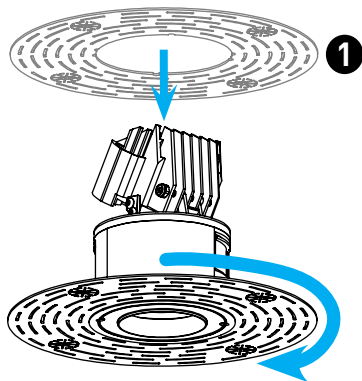
INSTALLATION INSTRUCTIONS

0/1 SERIES ADJUSTABLE & FLANGE OVERLAY



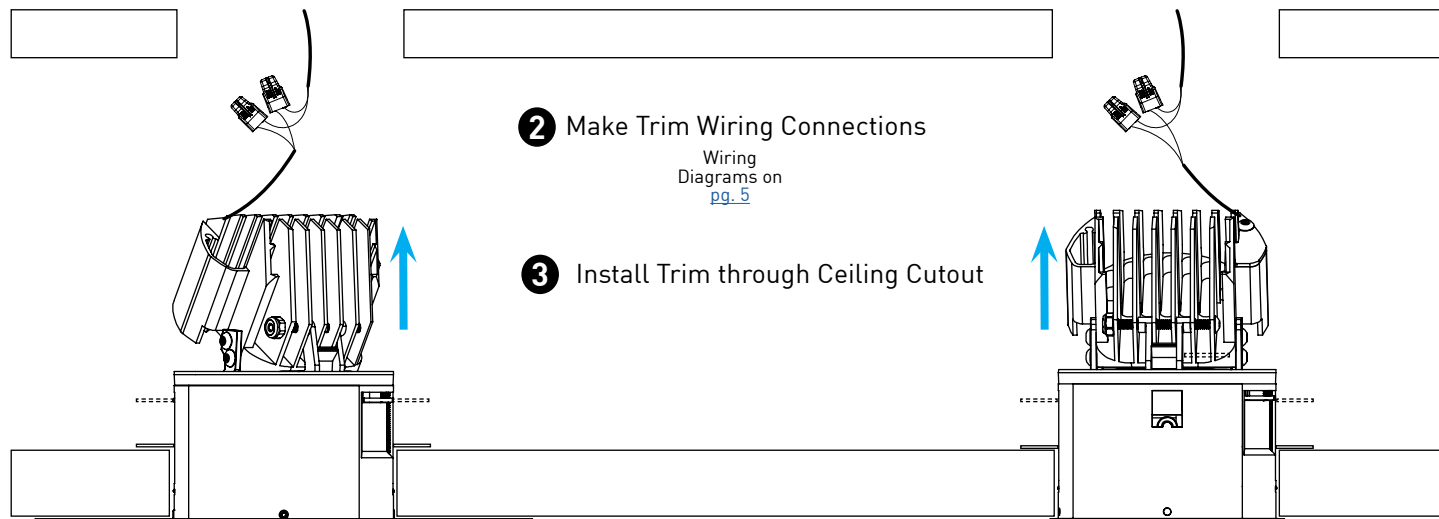
TRIM INSTALLATION

TRIMLESS GYPSUM / ZERO-SIGHTLINE GYPSUM



- 1** Install outer appliqué over trim aligning it with set screws and rotate clockwise to secure.

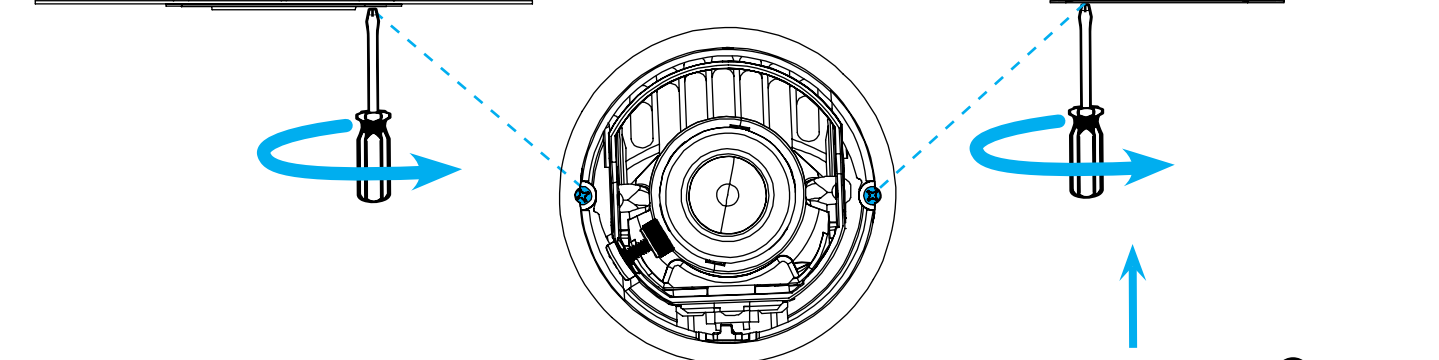
FLANGE OVERLAY



- 2** Make Trim Wiring Connections

Wiring
Diagrams on
[pg. 5](#)

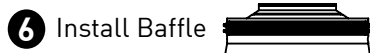
- 3** Install Trim through Ceiling Cutout



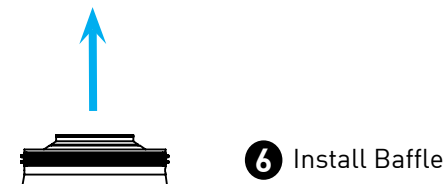
- 4** Engage Retention Arms with #0 or #1 Philips screwdriver



- 5** Install Flange



- 6** Install Baffle



- 6** Install Baffle

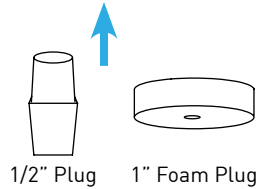
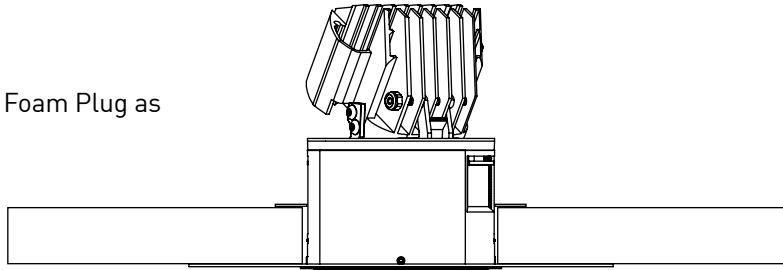
INSTALLATION INSTRUCTIONS

0/1 SERIES ADJUSTABLE & FLANGE OVERLAY

TRIMLESS / ZERO-SIGHTLINE GYPSUM FINISH OUT

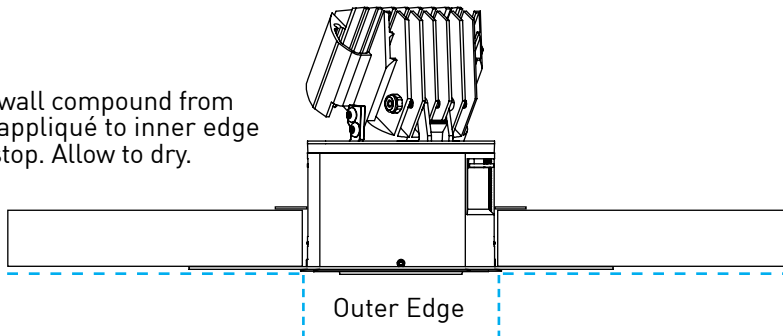


- 1 Install 1/2" Plug or 1" Foam Plug as required.

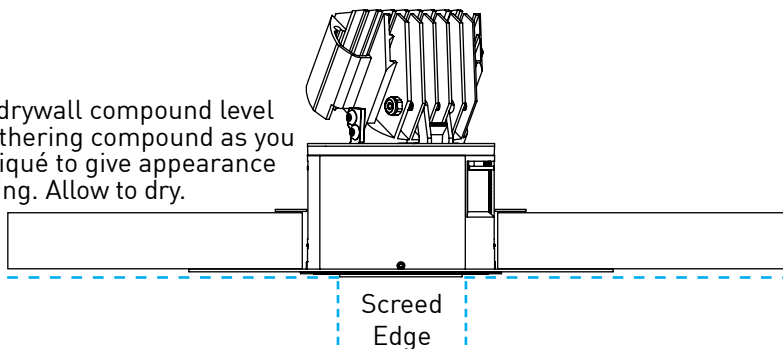


WARNING: Do not energize housing with 1/2" Plug or 1" Foam Plug installed.

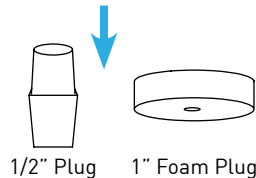
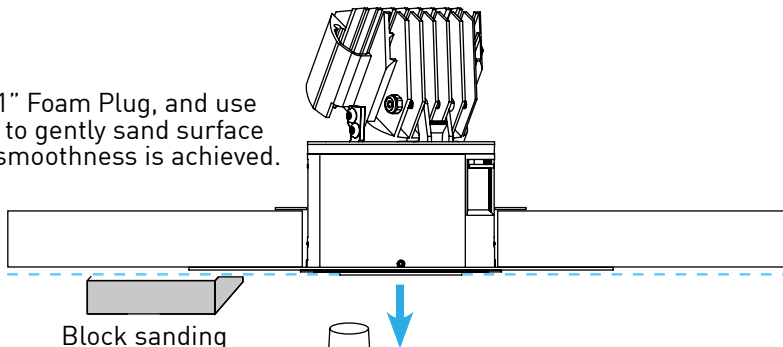
- 2 Apply first pass of drywall compound from beyond outer edge of appliqué to inner edge of appliqué / plaster stop. Allow to dry.



- 3 Apply second coat of drywall compound level with screed edge, feathering compound as you move away from appliqué to give appearance of a perfectly flat ceiling. Allow to dry.



- 4 Remove 1/2" Plug or 1" Foam Plug, and use block sanding screen to gently sand surface until desired level of smoothness is achieved.



WARNING: Do not energize housing with 1/2" Plug or 1" Foam Plug installed.

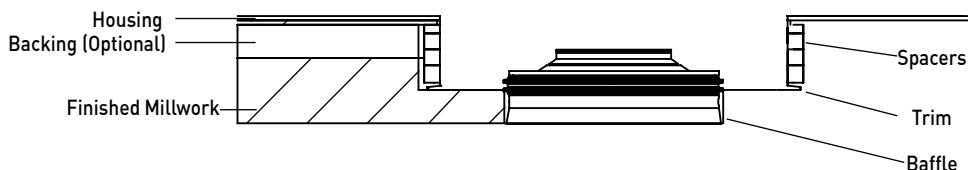
INSTALLATION INSTRUCTIONS

0/1 SERIES ADJUSTABLE & FLANGE OVERLAY

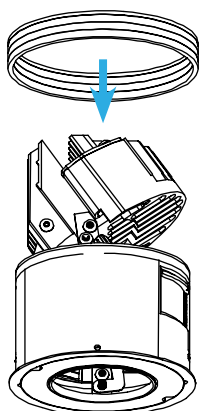
TRIMLESS MILLWORK INSTALLATION



SECTION VIEW



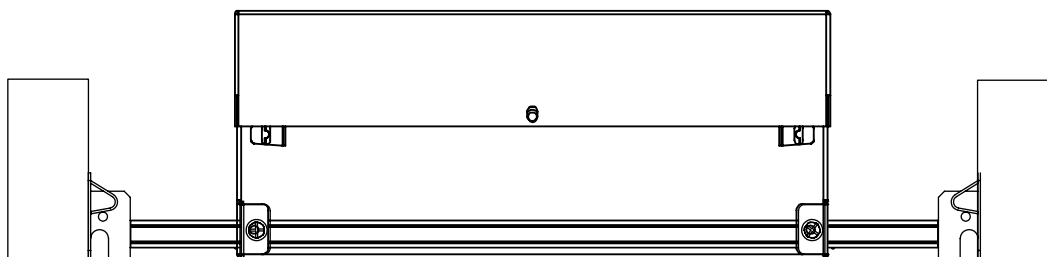
- 1 Install millwork spacers over trim. Reference spacer stack chart to determine required spacers and counterbore depth (X).



SPACER STACK

Millwork Thickness	Counterbore (X)	Spacer Stack	Thin Spacer 1/16"	Thick Spacer 1/8"
1" (25mm)	3/4" (19mm)	11/16" (17mm)	1 (1/16")	5 (5/8")
7/8" (22mm)	5/8" (16mm)	9/16" (14mm)	1 (1/16")	4 (1/2")
3/4" (19mm)	1/2" (13mm)	7/16" (11mm)	1 (1/16")	3 (3/8")
5/8" (16mm)	3/8" (10mm)	5/16" (8mm)	1 (1/16")	2 (1/4")
1/2" (13mm)	1/4" (6mm)	3/16" (5mm)	1 (1/16")	1 (1/8")

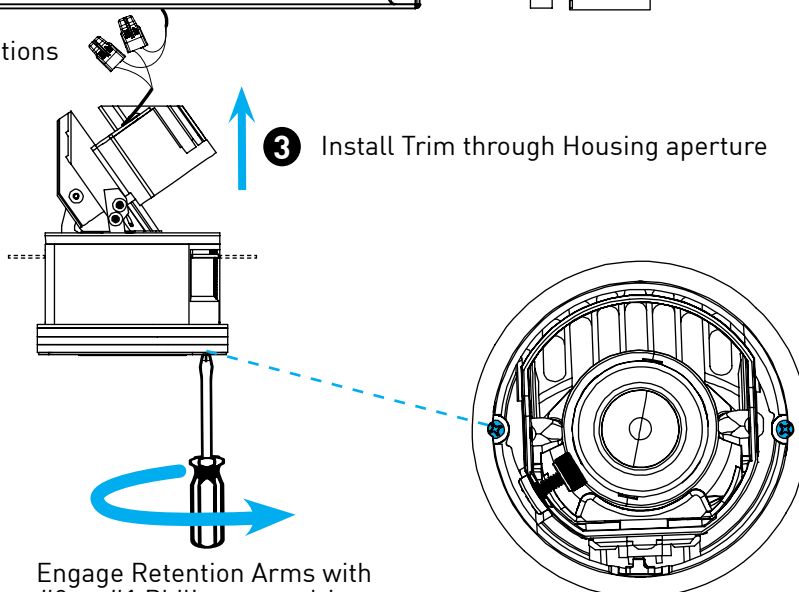
*If a backing is used, add additional spacers equal to the thickness of the backing



- 2 Make Trim Wiring Connections

Wiring Diagrams on [pg. 5](#)

- 3 Install Trim through Housing aperture



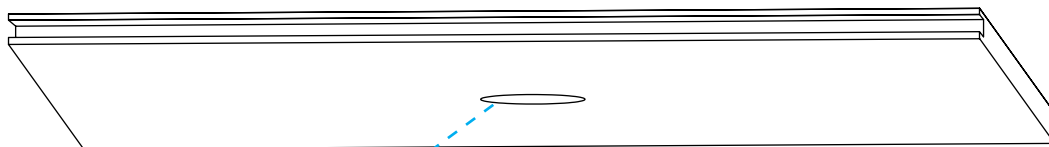
- 4 Engage Retention Arms with #0 or #1 Philips screwdriver

INSTALLATION INSTRUCTIONS

0/1 SERIES ADJUSTABLE & FLANGE OVERLAY



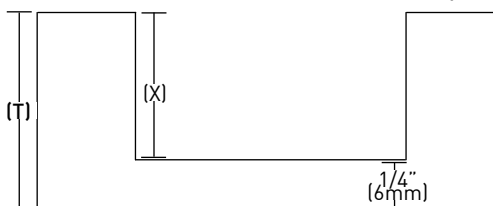
TRIMLESS MILLWORK INSTALLATION



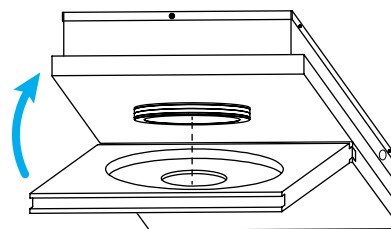
- 5** Mark centerline and make 1" pilot hole

- 6** Make counter bore in millwork, leaving material thickness of 1/4"

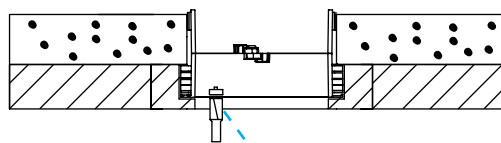
Thickness (T) - 1/4" or 6mm = Counterbore Depth (X)



- 7** Install millwork in fixture locations

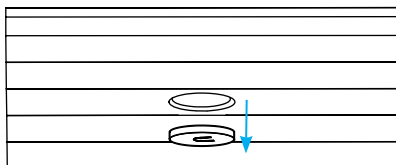


- 8** Make cutout concentric to trim. Using the inside of the trim as a guide, work around the inside of the trim with a flush trim profile bit set to a 1/4" (6mm) depth.

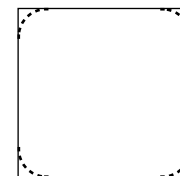


Flush trim profile router bit set to 1/4" (6mm) depth

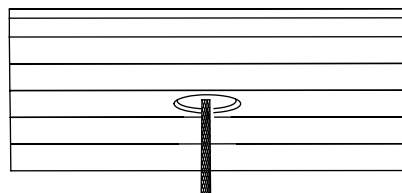
- 9** Remove foam plug.



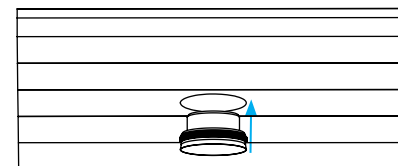
- 10** Square trims require corners to be squared off. Factory recommends using utility knife.



- 11** Deburr rough edges as required.



- 12** Install Baffle.



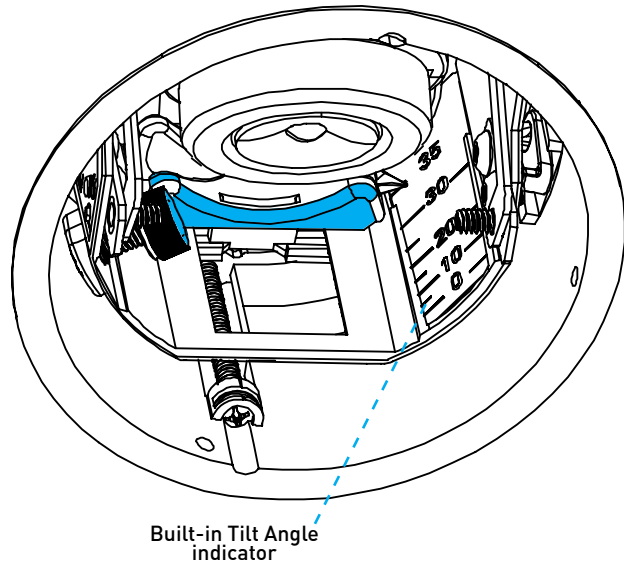
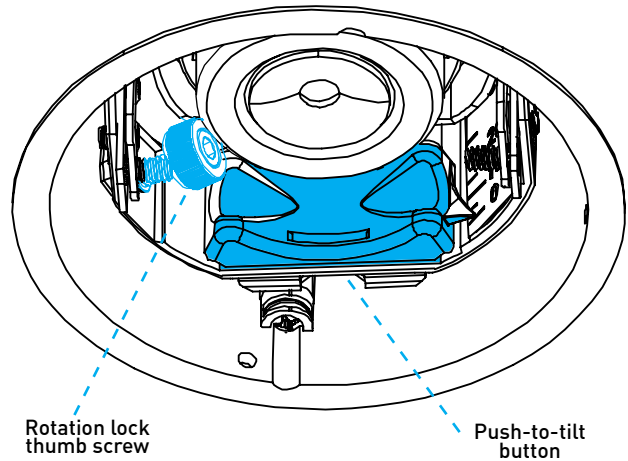
INSTALLATION INSTRUCTIONS

0/1 SERIES ADJUSTABLE & FLANGE OVERLAY



TILT AND ROTATION

- 1 All tilt and rotation features are tooless and accessible through 1.6" and 1" apertures.
- 2 Push tilt button in and move up to desired tilt angle, fixture features 35° max tilt. Tilt button can also be accessed with baffle removal tool.
- 3 Loosen rotation lock thumb screw and rotate fixture to desired location, fixture feature 365° rotation



INSTALLATION INSTRUCTIONS

0/1 SERIES ADJUSTABLE & FLANGE OVERLAY



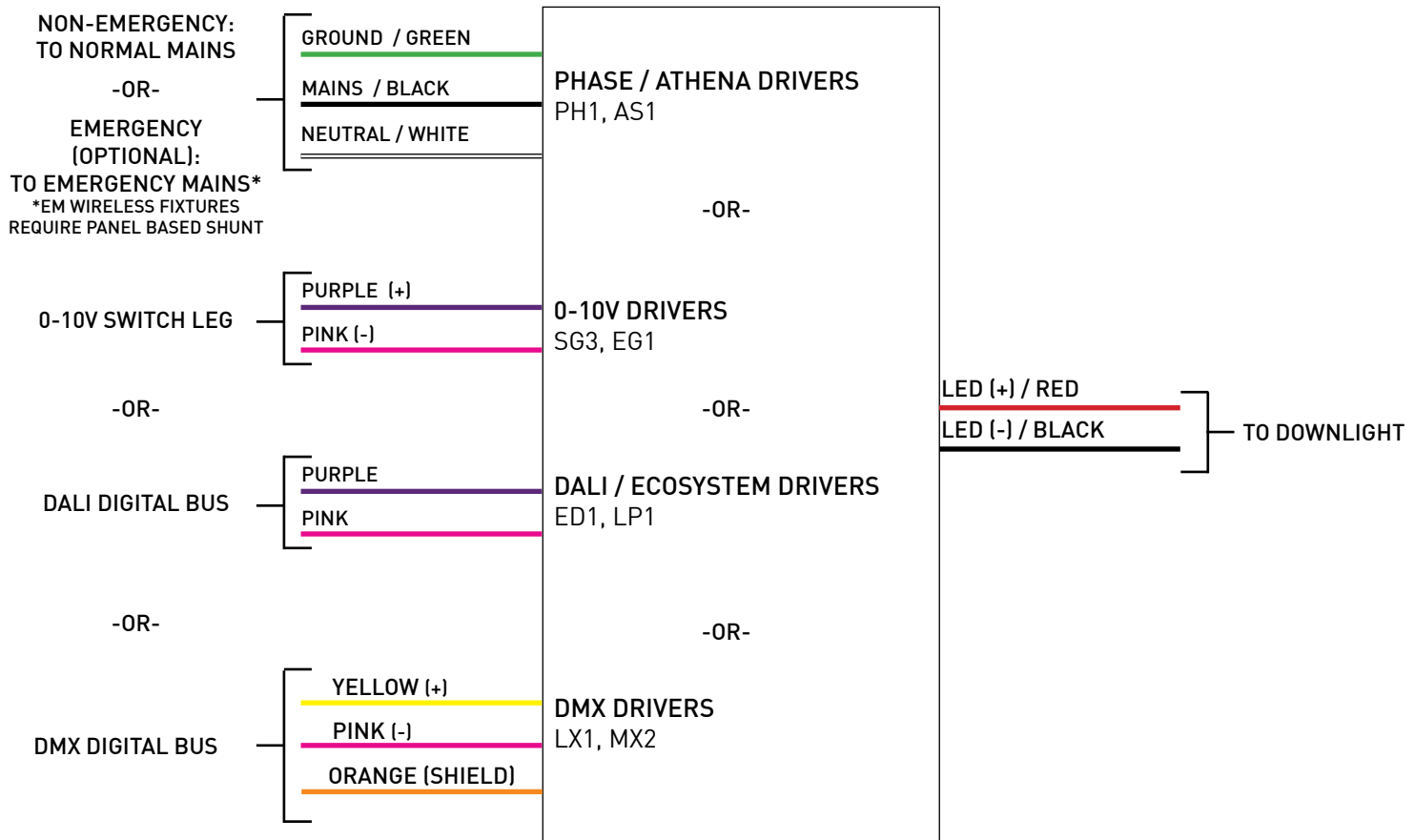
WIRING DIAGRAMS

WIRING NOTES:

IMPORTANT: Fixture field connections involve line voltage, control voltage, and/or LVS wiring as required. All integral drivers and LED connections are pre-wired to specification.

- Factory requires minimum 12" (305mm) feed wiring be supplied to IC / NIC housing.
- Each LED source is provided with a separate driver.
- 0-10V drivers feature dim-to-off functionality. 0-10V drivers must be powered continuously. DO NOT TOGGLE POWER OFF.
- LED sources can be controlled independently or together. 0-10V drivers require separate control legs for independent control.

LED DRIVER



DMX DIMMING INFORMATION

- DMX Connection Type: Pigtail
 - DMX Color Scheme:
 - DMX+: Yellow
 - DMX-: Pink
 - DMX Shield: Orange
 - Installation may require shielded cable if EMI is present.
 - Fixture Default Mode: FULL ON
 - Fixture Fail Mode: ON 10% DIMMED
- DMX Connection Type: Pigtail
 - DMX Color Scheme:
 - DMX+: Yellow
 - DMX-: Pink
 - DMX Shield: Orange
 - Installation may require shielded cable if EMI is present.
 - Fixture Default Mode: FULL ON
 - Fixture Fail Mode: ON 10% DIMMED