

# STELLARIS™ STEM MOUNT

PROJECT NAME:

TYPE:

Organic shape and minimalist form conceals the mechanics of this high-performance luminaire, offering both volumetric and directional lighting with multiple light sources and infinite control options for layered illumination.



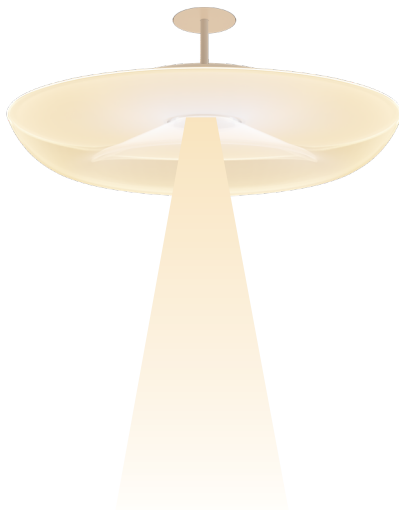
## FEATURES

- Choose your light sources between downlight, waveguide, and uplight.
- Choose your controls grouping.
- Configurable stem lengths up to 172" that can be cut to any length.
- Up to 8992 combined delivered lumens.
- For custom finish combinations, please contact: [productsupport@luciferlighting.com](mailto:productsupport@luciferlighting.com)

## ILLUMINATION OPTIONS

Stem mount features downlight, waveguide, and uplight that are all independently controllable.

### DOWNLIGHT



### WAVEGUIDE



### UPLIGHT



## AVAILABLE FINISHES



# STELLARIS™ STEM MOUNT

PROJECT NAME:	TYPE:
---------------	-------

## ORDERING INFORMATION

SERIES	STEM LENGTH	INTERIOR BODY FINISH	BAFFLE FINISH	EXTERIOR CANOPY/STEM FINISH	DOWNLIGHT CRI / WATTAGE	DOWNLIGHT CCT	OPTIC	MEDIA	WAVEGUIDE CRI / WATTAGE	WAVEGUIDE CCT	UPLIGHT CRI / WATTAGE	UPLIGHT CCT
S4D 30" Stellaris Stem Mount Dry / Damp Rated	043 43" Stem	WH White	WH White	WH White	STATIC WHITE	1 10°*	1 Honeycomb Louver	STATIC WHITE	STATIC WHITE	STATIC WHITE	STATIC WHITE	STATIC WHITE
	086 86" Stem	AG Satin Silver	AG Satin Silver	AG Satin Silver	9N 90+ CRI, 17W, Narrow Beam 707 Lm*	1 2700K	3 Frosted Glass Lens	9M 90+ CRI, 50W, 3563 Lm	1 2700K	M 90+ CRI, 5W, 369 Lm	1 2700K	M 90+ CRI, 5W, 369 Lm
S4B 30" Ball Joint Stem Mount Sloped Ceiling Dry / Damp Rated	129 129" Stem	AU Cashmere Gold	AU Cashmere Gold	AU Cashmere Gold	WARM DIM	2 3000K	4 Soft Focus Lens*	9H 90+ CRI, 85W, 3905 Lm	2 3000K	H 90+ CRI, 10W, 566 Lm	2 3000K	H 90+ CRI, 10W, 566 Lm
	172 172" Stem	BB Burnt Bronze	BB Burnt Bronze	BB Burnt Bronze	9L 90+ CRI, 38W, 3688 Lm	3 3500K	5 Frosted Soft Focus Lens	WARM DIM	3 3500K	W 90+ CRI, 5W, 374 Lm	3 3500K	W 90+ CRI, 5W, 374 Lm
STEMS PROVIDED IN 43" SECTIONS. ALL STEM LENGTHS ARE FIELD CUTTABLE.		BK Black	BK Black	BK Black	9M 90+ CRI, 50W, 4521 Lm	L 2700K - 1800K	6 Frosted Linear Spread Lens	TUNABLE WHITE	L 2700K - 1800K	L 2700K - 1800K	L 2700K - 1800K	L 2700K - 1800K
		CF Custom Finish* <small>*(Consult Factory)</small>	CF Custom Finish* <small>*(Consult Factory)</small>	CF Custom Finish* <small>*(Consult Factory)</small>	WARM DIM	D 3000K - 1800K	7 Wide Distribution Lens*	TUNABLE WHITE	D 3000K - 1800K	D 3000K - 1800K	D 3000K - 1800K	D 3000K - 1800K
					9T 90+ CRI, 40W, 3265 Lm* <small>*(Tunable white sources cannot be mixed)</small>	R 4000K - 1800K	8 85°* <small>*(Requires "7" WDL Lens)</small>	TUNABLE WHITE	R 4000K - 1800K	R 4000K - 1800K	R 4000K - 1800K	R 4000K - 1800K
					H 5000K - 2700K	H 5000K - 2700K	9 No Downlight	TUNABLE WHITE	H 5000K - 2700K	H 5000K - 2700K	H 5000K - 2700K	H 5000K - 2700K
					NO DOWNLIGHT	0 No Downlight	0 No Downlight	N No Lens* <small>*(Required for no downlight configurations)</small>	0 No Downlight	0 No Downlight	0 No Uplight	0 No Uplight

CONTROL ZONES	DRIVER TYPE	DRIVER (SELECT ONE)				MOUNTING
3 Zone A : Downlight Zone B : Waveguide Zone C : Uplight  Zone A, B, and C controlled independently; can be wired to the same control zone as needed.	A Integral Driver B Remote Driver	<b>INTEGRAL OR REMOTE 120V-277V</b> SG3 1% 0-10V, LOG SN3 1% 0-10V, LIN EG1 eldoLED, SOLOdrive, 0.1% 0-10V, LOG EN1 eldoLED, SOLOdrive, 0.1% 0-10V, LIN ED1 eldoLED, SOLOdrive, 0.1% DALI-2 DT6, LOG	<b>REMOTE 120V-277V</b> AS1 Athena Control eldoLED, SOLOdrive 0.1% CS1 Casambi Control eldoLED, SOLOdrive 0.1% <b>LOW VOLTAGE SYSTEM</b> LVS Low Voltage System* <small>*(See page 9 for specification information)</small>	<b>TUNABLE WHITE REMOTE 120V-277V</b> DG1 eldoLED, DUALdrive 0.1% 0-10V, LOG DN1 eldoLED, DUALdrive 0.1% 0-10V, LIN DD2 eldoLED, DUALdrive 0.1% DALI-2 DT8, LOG	<b>TUNABLE WHITE REMOTE 120V-277V</b> AD1 Athena Control eldoLED, DUALdrive 0.1% CD1 Casambi Control eldoLED, DUALdrive 0.1% <b>LOW VOLTAGE SYSTEM</b> LVS Low Voltage System* <small>*(See page 9 for specification information)</small>	J Standard, J-Box Surface Mounting Plate Z Zero-Sightline, J-Box Surface Mounting* <small>*(Not available for S4B fixture)</small> C Ø4.9" Ceiling Mount Junction Box for 1/2" and 3/4" Conduit* <small>*(Not available for S4B fixture. Finish specified in exterior finish section)</small>

# STELLARIS STEM MOUNT

## ACCESSORIES

### ALTERNATE DOWNLIGHT MEDIA

- HCL-S4C-01** Honeycomb Louver
- FGL-S4C-01** Frosted Glass Lens
- SFL-S4C-01** Soft Focus Lens
- FSFL-S4C-01** Frosted Soft Focus Lens
- WDL-S4C-01** Wide Distribution Lens\*
- \*Requires "6" 60° Optic
- FLSL-S4C-01** Frosted Linear Spread Lens

### REPLACEMENT DOWNLIGHT BAFFLE ASSEMBLIES

- RBA-S4C-WH** White
- RBA-S4C-AB** Architectural Bronze
- RBA-S4C-AG** Satin Silver
- RBA-S4C-AU** Cashmere Gold
- RBA-S4C-BB** Burnt Bronze
- RBA-S4C-BK** Black

\*Replacement baffles do not include media.

### REPLACEMENT DOWNLIGHT OPTIC ASSEMBLIES

#### STATIC WHITE

- RO-70-15-S** 15° optic
- RO-70-20-S** 20° optic
- RO-70-25-S** 25° optic
- RO-70-40-S** 40° optic
- RO-70-60-S** 60° optic

#### WARM DIM

- RO-70-15-W** 15° optic
- RO-70-20-W** 20° optic
- RO-70-25-W** 25° optic
- RO-70-40-W** 40° optic
- RO-70-60-W** 60° optic

#### TUNABLE WHITE

- RO-70-15-T** 15° optic
- RO-70-20-T** 20° optic
- RO-70-25-T** 25° optic
- RO-70-40-T** 40° optic
- RO-70-60-T** 60° optic

### EMERGENCY LIGHTING - REMOTE MOUNT ONLY

- EMB-S-100-120-LEDX** 100 watt max capacity, 120 VAC 60Hz, 0-10V Dimmable
- EMB-S-100-277-LEDX** 100 watt max capacity, 277 VAC 60Hz, 0-10V Dimmable
- EMB-S-250-120/277-LEDX** 250 watt max capacity, 120 or 277 VAC 60Hz, 0-10V Dimmable

During disruption of main power, emergency battery inverter provides temporary 120V or 277V to fixture.

**NOTE: CONSULT FACTORY FOR USE WITH WIRELESS CONTROLS.**

# STELLARIS STEM MOUNT

## DOWNLIGHT PERFORMANCE - 3000K

LUMEN PACKAGE	WATTAGE	10° OPTIC / SFL		15° OPTIC / NO LENS		20° OPTIC / NO LENS		25° OPTIC / NO LENS		40° OPTIC / NO LENS		60° OPTIC / NO LENS		85° OPTIC / WDL	
		DELIVERED	LPW	DELIVERED	LPW	DELIVERED	LPW	DELIVERED	LPW	DELIVERED	LPW	DELIVERED	LPW	DELIVERED	LPW
9N2	17	707	32	-	-	-	-	-	-	-	-	-	-	-	-
9L2	38	-	-	3602	95	3663	96	3688	97	3524	93	3419	90	2906	76
9M2	50	-	-	4415	88	4491	90	4521	90	4320	86	4192	84	3563	71
9WL (2700K-1800K)	50	-	-	3967	79	4036	81	4062	81	3882	78	3767	75	3202	64
9WD (3000K-1800K)	50	-	-	4141	83	4213	84	4240	85	4052	81	3932	79	3342	67
9TH (4000K-1800K)	40	-	-	3189	80	3244	81	3265	82	3120	78	3028	76	2573	64
9TR (5000K-2700K)	40	-	-	3456	86	3516	88	3539	88	3382	85	3281	82	2789	70

### MAXIMUM DOWNLIGHT UNIFIED GLARE RATING (NO LENS)

10° OPTIC	15° OPTIC	20° OPTIC	25° OPTIC	40° OPTIC	60° OPTIC	85° OPTIC
<13	<19	<19	<19	<19	<16	>19

### STATIC WHITE OUTPUT MULTIPLIER

CCT	CCT SCALE
2700K	0.96
3000K	1.00
3500K	1.05

### MEDIA LIGHT LOSS FACTOR

MEDIA	LIGHT LOSS FACTOR
No Lens	1.00
SFL	1.00
FGL	0.94
FSFL	0.93
WDL	0.85
HCL	0.72

## WAVEGUIDE PERFORMANCE

LUMEN PACKAGE	WATTAGE	2700K		3000K		3500K	
		DELIVERED	LPW	DELIVERED	LPW	DELIVERED	LPW
9M	50	2357	47	2563	51	2517	50
9H	85	3591	42	3905	46	3915	46
9WL (2700K-1800K)	50	2461	49	-	-	-	-
9WD (3000K-1800K)	50	-	-	2189	44	-	-
9TH (4000K-1800K)	40	-	-	1771	44	-	-
9TR (5000K-2700K)	40	-	-	1760	44	-	-

## UPLIGHT PERFORMANCE

LUMEN PACKAGE	WATTAGE	2700K		3000K		3500K	
		DELIVERED	LPW	DELIVERED	LPW	DELIVERED	LPW
M	5	374	75	369	74	382	76
H	10	573	57	566	57	586	59
WL (2700K-1800K)	5	374	75	-	-	-	-
WD (3000K-1800K)	5	-	-	354	71	-	-
TH (4000K-1800K)	5	-	-	440	88	-	-
TR (5000K-2700K)	5	-	-	429	86	-	-

# STELLARIS STEM MOUNT

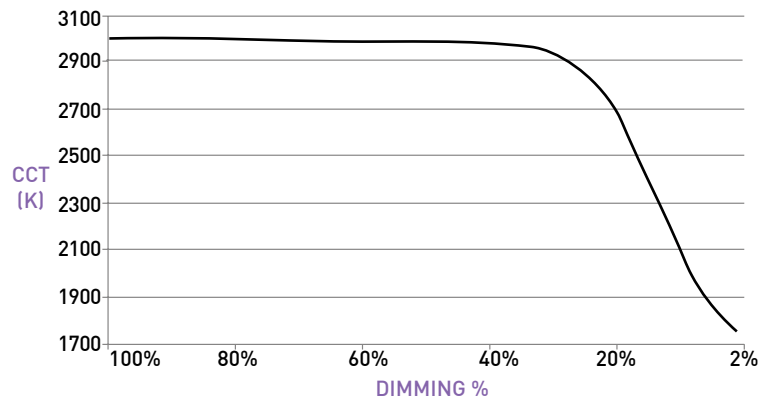
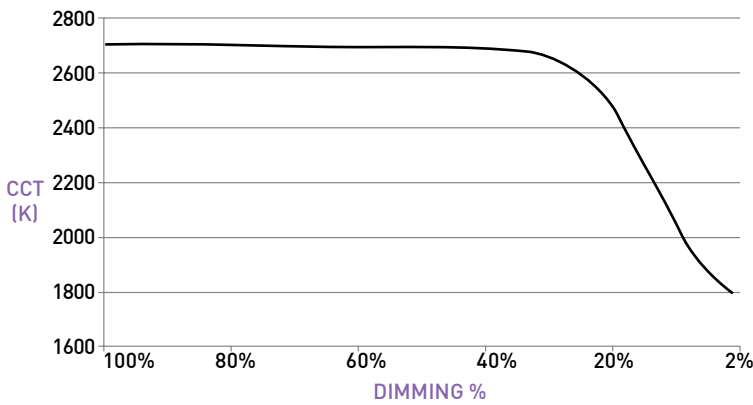
## WARM DIM PERFORMANCE

INCANDESCENT PROFILE

DOWNLIGHT 9WL 2700K - 1800K	Full on 100%	Dimmed to 80%	Dimmed to 70%	Dimmed to 50%	Dimmed to 20%	Dimmed to 10%	Dimmed to 2%
CCT (K)	2700	2700	2700	2700	2650	2050	1800
Light Output (Lm)	4062	3250	2843	2031	812	406	81
Power (W)	50	40	35	25	10	5	1
Efficacy (LPW)	81	81	81	81	81	81	81
WAVEGUIDE 9WL 2700K - 1800K	Full on 100%	Dimmed to 80%	Dimmed to 70%	Dimmed to 50%	Dimmed to 20%	Dimmed to 10%	Dimmed to 2%
CCT (K)	2700	2700	2700	2700	2650	2050	1800
Light Output (Lm)	2461	1969	1723	1231	492	246	49
Power (W)	50	40	35	25	10	5	1
Efficacy (LPW)	49	49	49	49	49	49	49

HALOGEN PROFILE

DOWNLIGHT 9WD 3000K - 1800K	Full on 100%	Dimmed to 80%	Dimmed to 70%	Dimmed to 50%	Dimmed to 20%	Dimmed to 10%	Dimmed to 2%
CCT (K)	3000	3000	3000	3000	2900	2100	1800
Light Output (Lm)	4240	3992	2968	2120	848	424	58
Power (W)	50	40	35	25	10	5	1
Efficacy (LPW)	85	85	85	85	85	85	85
WAVEGUIDE 9WD 3000K - 1800K	Full on 100%	Dimmed to 80%	Dimmed to 70%	Dimmed to 50%	Dimmed to 20%	Dimmed to 10%	Dimmed to 2%
CCT (K)	3000	3000	3000	3000	2900	2100	1800
Light Output (Lm)	2189	1751	1532	1095	438	219	44
Power (W)	50	40	35	25	10	5	1
Efficacy (LPW)	44	44	44	44	44	44	44



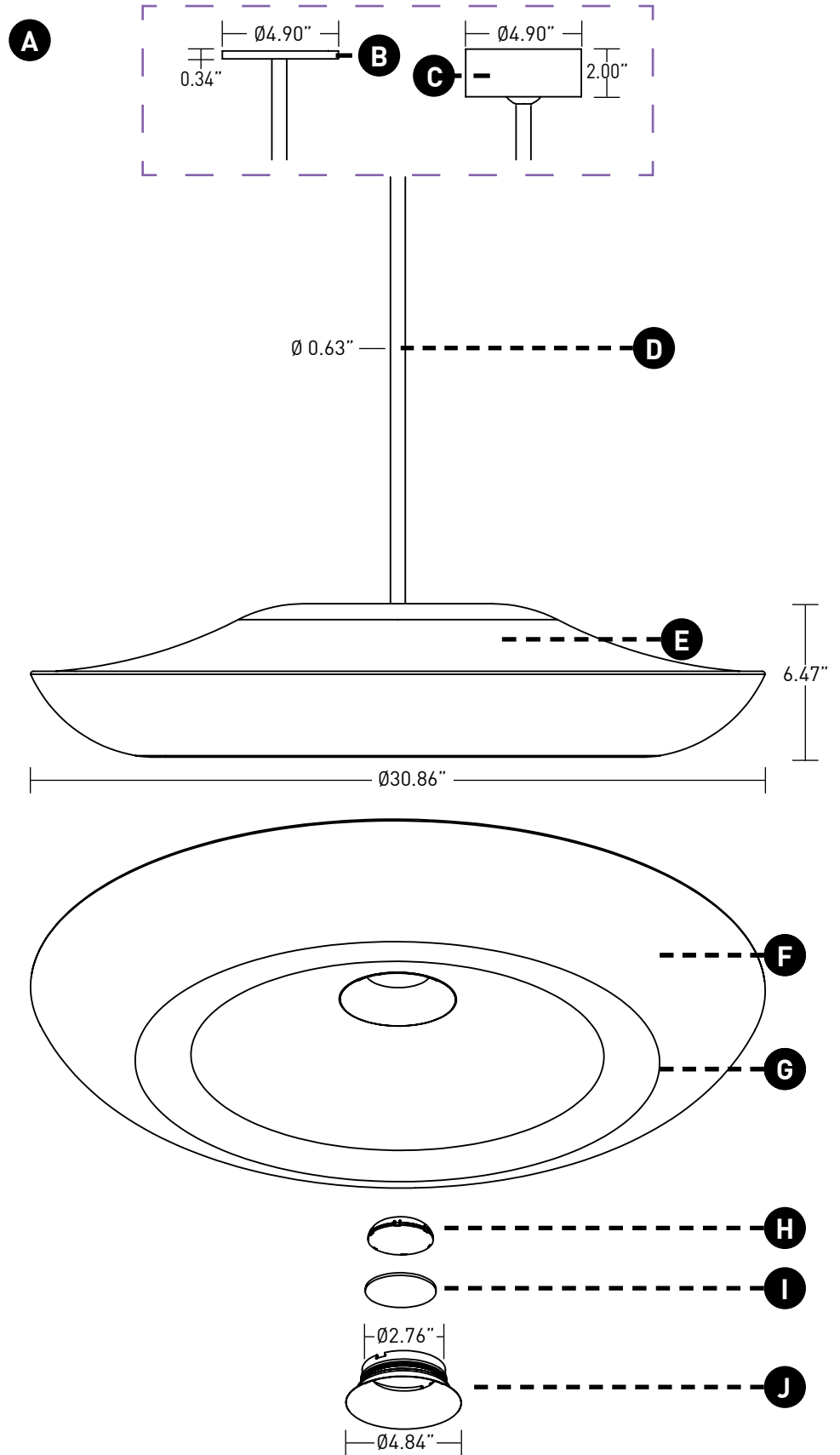
**NOTE: LIN-TO-LIN 0-10V PAIRING NOT COMPATIBLE WITH WARM DIM.**

# STELLARIS STEM MOUNT

## STEM MOUNT

## DIMENSIONS / DRAWINGS

- A LUMINAIRE**  
Body with integrated heat sink and LED assemblies. Power supplies may be integral or remote mount.
- B S4D STEM MOUNT CANOPY**  
Provided with S4D fixtures. Magnetic canopy plate conceals hidden mounting hardware. Available in powdercoat finishes.
- C S4B BALL JOINT CANOPY**  
Provided with S4B fixtures. Magnetic canopy conceals ball joint assembly and mounting plate. Compatible with up to 12/12 pitch ceilings. Available in powdercoat finishes.
- D STEM**  
Available in powdercoat finishes in field cuttable lengths up to 192"; supplied in 43" increments, 2" minimum length.
- E BACKCAP**  
Conceals view into fixture and houses integral driver assemblies. Available in powdercoat finishes.
- F BODY**  
Visible when off behind waveguide. Available in powdercoat finishes.
- G WAVEGUIDE**  
Transmits light creating illumination effect. Ships with protective cover installed.
- H OPTIC**  
Robust light engine with optimized optic pairing integrates Reflection, Refraction and TIR offering 10°, 15°, 20°, 25°, 40°, 60°, and 85° beams.
- I MEDIA**  
Limited to one effects device. Media is field-changeable.
- J BAFFLE**  
Die-cast removable baffle features 71° glare cutoff. Minimizes aperture glare and conceals view into fixture; includes silicone gasket.



## CLEANING INSTRUCTIONS

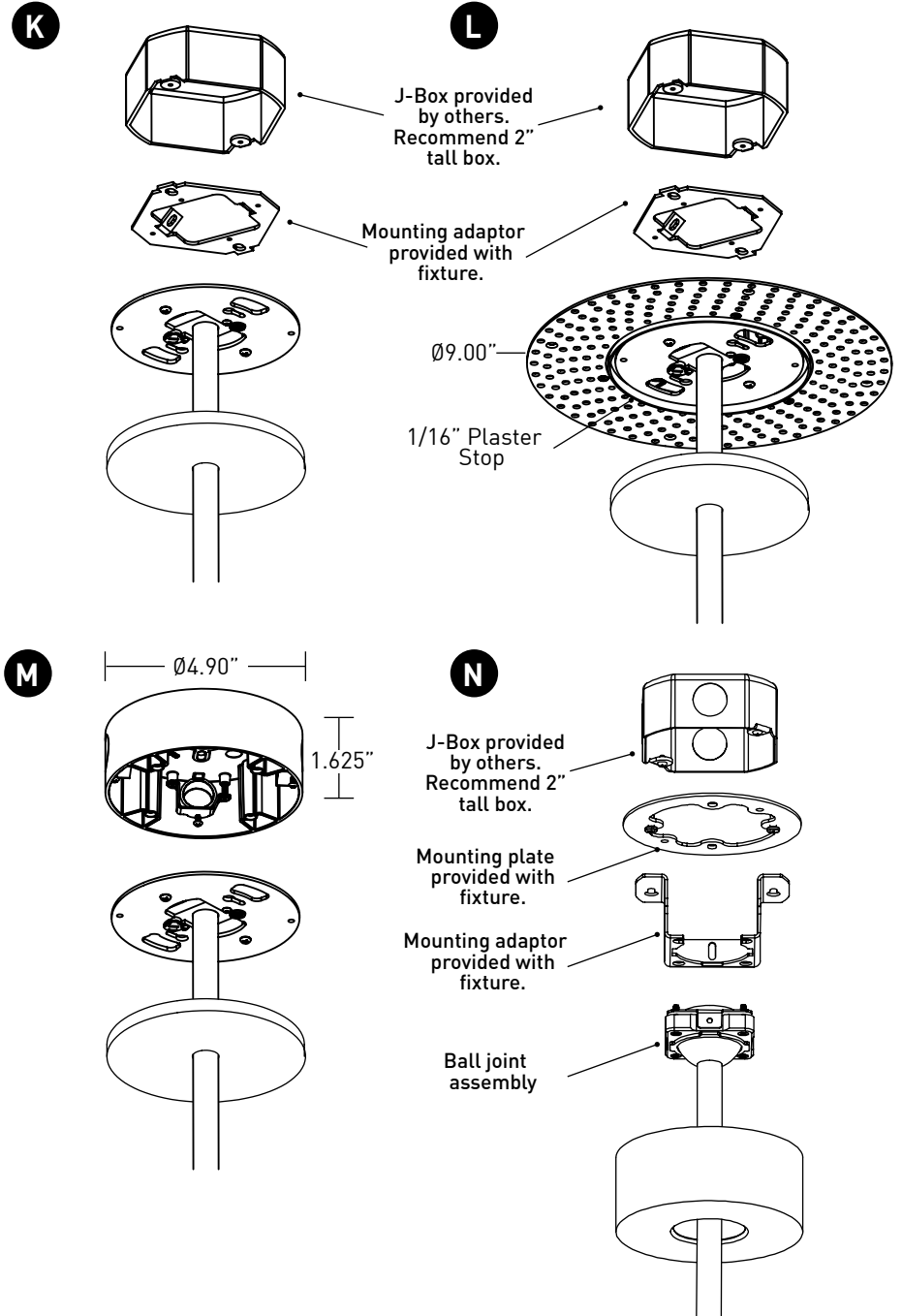
Factory recommends cleaning waveguide assembly with a microfiber cloth or similar non-abrasive cloth. In most cases a damp microfiber cloth will remove dust/debris or fingerprints. For stubborn stains, approved cleaning agents include soap and water.

# STELLARIS STEM MOUNT

## STEM MOUNTING

- K S4D STEM 'J' MOUNT**  
Integral mounting adapter attaches to standard 4/0 box. Features easy twist-on engagement to fixture and safety lanyard. No rough-in components required.
- L STEM MOUNT ZERO-SIGHTLINE**  
Integral mounting adapter attaches to standard 4/0 box. Features easy twist-on engagement to fixture and safety lanyard. Canopy mounts flush with minimalist transition to ceiling. Features 1/16" plaster stop.
- M STEM CEILING MOUNT JUNCTION BOX (CMJB)**  
CMJB provides integrated look where exposed conduit and ceiling boxes are required. Integral clamps eliminate the need for bulky exposed conduit fittings and conduit offsets, making for a sleek finished appearance, while saving labor time and expense. Conduit entrances located at top of box and 12, 3, & 6 o'clock. For use with 3/4" and 1/2" EMT conduit and dry/damp locations only. Blank off plugs included. Painted finishes only.
- N S4B BALL JOINT 'J' MOUNT**  
Mounting plate and adapter attaches to standard 4/0 box. Ball joint features easy lift-in engagement to fixture and safety lanyard. No rough-in components required.

## DIMENSIONS / DRAWINGS

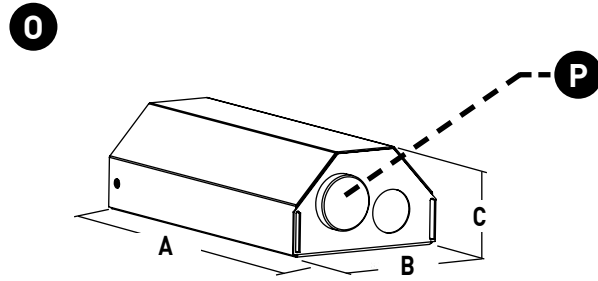


# STELLARIS STEM MOUNT

## REMOTE POWER SUPPLY

- O** PS-RMT  
Each source requires a separate remote power supply. Consult chart on page 10 for maximum allowable secondary run lengths between PS-RMT and fixture. Must be installed in an accessible location.  
**Note:** Not included with fixtures designated as LVS.
- P** ATHENA / CASAMBI CONTROL  
Controls integrated into housing or remote driver assembly. All equipment is serviceable.

## DIMENSIONS / DRAWINGS



	A	B	C
UPLIGHT	6.94"	3.35"	2.00"
DOWNLIGHT / WAVEGUIDE	8.10"	5.00"	2.00"

# STELLARIS STEM MOUNT

## LOW VOLTAGE SYSTEM (LVS) SPECIFICATION NOTES

- Customers are responsible for ensuring power supply drive current is set to correct values shown below in the drive current specifics section.
- Customers must ensure voltage range of the proposed power supply encompasses the fixtures complete Vf range, both maximum and minimum, and can be set to the required mA drive current. If assistance is required contact your manufacturers representative or the factory.
- Lucifer Lighting is not responsible for confirming dimming compatability between power supplies and control systems / dimmers.
- Lucifer Lighting will not ship fixtures with a power supply supplied by others inside the fixture.
- Consult power supply manufacturer for maximum remote wiring distances.
- Housing and Fixture feature 18 AWG wiring.
- Wiring connections are made in the splicing compartment using customer supplied connectors, ex. wire nuts, push-in connectors, or terminal blocks.

## DRIVE CURRENT SPECIFICS

	DOWNLIGHT					WAVEGUIDE				UPLIGHT			
	9N	9L	9M	9W	9T	9M	9H	9W	9T	M	H	W	T
Minimum Vf	31	31	31	31	31	30	30	18	25	28	28	28	28
Maximum Vf	36	36	36	36	36	37	40	38	31	30	31	35	28
Current mA	400	900	1150	1150	900	1150	2000	1600	900	150	250	150	150
Wattage W	17	38	50	50	40	50	85	50	40	10	5	5	5

# STELLARIS STEM MOUNT

## TECHNICAL

### CONSTRUCTION

Fixture: Machined aluminum canopy and spun reflector; die-cast aluminum heat-sink; painted finishes are granulated powder coat.  
CMJB: Die-cast or Machined aluminum body; painted finishes are granulated powder coat.  
Remote Power Supply: 22 Gauge galvanized steel.

### STATIC WHITE LED

2-step MacAdam ellipse LED module available in 90+ CRI configurations in color temperatures of 2700K, 3000K, 3500K and 4000K. Average rated lamp life: 50,000 hours. LED and driver assemblies are field-replaceable.

### WARM DIM LED

3-step MacAdam ellipse warm dim LED module available in 90+ CRI configuration. 3000K or 2700K at full brightness, warming to 1800K at full dim. Average rated lamp life of 50,000 hours. LED and driver assemblies are field-replaceable.

### TUNABLE WHITE LED

3-step MacAdam ellipse tunable white LED module available in 90+ CRI configuration. Features tuning range of 2700K to 5000K and 1800K to 4000K. Average rated lamp life of 50,000 hours. Driver assemblies are field-replaceable.

### POWER SUPPLY PERFORMANCE AND DIMMING INFORMATION

	0-10V						DALI		ATHENA		CASAMBI	
Power Supply	SG3	SN3	EG1	EN1	DG1	DN1	ED1	DD1	AS1	AD1	CS1	CD1
Minimum °C	-10 °C	-10 °C	-20 °C	-20 °C	-20 °C	-20 °C	-20 °C	-20 °C	-20 °C	-20 °C	-20 °C	-20 °C
Maximum °C	40 °C	40 °C	40 °C	40 °C	40 °C	40 °C	40 °C	40 °C	40 °C	40 °C	40 °C	40 °C
Dimming %	1.0%	1.0%	0.1%	0.1%	0.1%	0.1%	0.1%	0.1%	0.1%	0.1%	0.1%	0.1%

Note: For SG3, SN3, EG1 and EN1 drivers consult chart on page 9 to confirm appropriate dimming curve for compatibility with selected control.

### MAXIMUM ALLOWABLE REMOTE DRIVER WIRING DISTANCES

DRIVER	WIRE AWG				
	12	14	16	18	20
SG3, SN3, EG1, EN1, DG1, DN1, ED1, DD1, AS1, AD1, CS1, CD1	-	-	118'	72'	46'

### MOUNTING

Fixture is supplied with a mounting adapter, which integrates with standard 4/0 junction boxes. Ceiling-mount junction box available for 1/2" and 3/4" conduit and features concealed internal clamps for clean fitting-free conduit exit and entry.

### LISTING

UL listed to UL1598 standard for Dry / Damp locations.  
NEMA 410 Compliant.  
LVS designated fixtures are listed to UL 2108.

### LIMITED WARRANTY

Manufacturer's 1-year warranty guarantees product(s) listed to be free from defects in material and workmanship under normal use and service. 5-year warranty on LED and power supply to operate with 70% of the original flux and remain within a range of 3 duv. 10-year Lutron Advantage limited warranty available on Lutron equipped systems. Warranty period begins from the date of shipment by Seller. Consult [website](#) for full warranty terms and conditions.

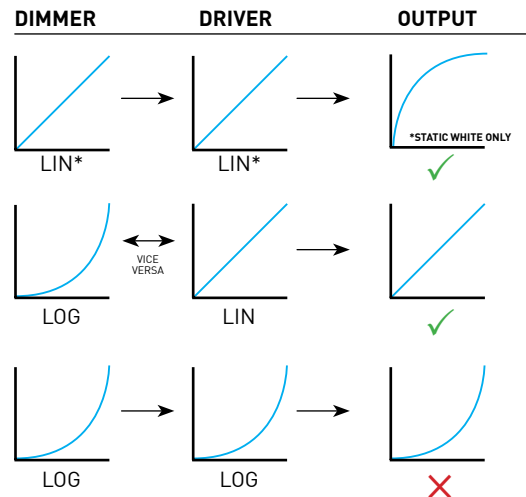
# STELLARIS STEM MOUNT

## DIMMING COMPATIBILITY

### eldoLED DRIVER COMPATIBILITY

Power supply <b>EG1 / SG3</b> Manufacturer	Family/Model #
Busch-Jaeger	2112U-101
Jung	240-10
Leviton Lighting Controls	IP710-DLX
Lightolier Controls	ZP600FAM120
Merten	5729
Pass & Seymour	CD4FB-W
The Watt Stopper	DCLV1
Synergy	ISD BC
Crestron®	GLX-DIMFLV8
Crestron®	GLXP-DIMFLV8
Crestron®	GLPAC-DIMFLV4-*
Crestron®	GLPAC-DIMFLV8-*
Crestron®	GLPP-DIMFLVEX-PM
Crestron®	GLPP-1DIMFLV2EX-PM
Crestron®	GLPP-1DIMFLV3EX-PM
Crestron®	DIN-A08
Crestron®	DIN-4DIMFLV4
Crestron®	CLS-EXP-DIMFLV
Crestron®	CLCI-1DIMFLV2EX
Power supply <b>EN1 / SN3</b> Manufacturer	Family/Model #
Lutron Electronics	Nova T® - NTFTV
Lutron Electronics	Diva® - DDTV
Lutron Electronics	Nova® - NFTV
Lutron Electronics	GrafixEye® GRX-TVI w GRX3503
Lutron Electronics	Energy Savr Node™ - QSN-4T16-S
Lutron Electronics	TVM2 Module
Sensor Switch	nI0 EZ
ABB	SD/S 2.16.1

### ANALOG DRIVERS AND DIMMERS



LIN = LINEAR  
 LOG = LOGARITHMIC  
 \*LIN-TO-LIN NOT COMPATIBLE FOR WARM-DIM