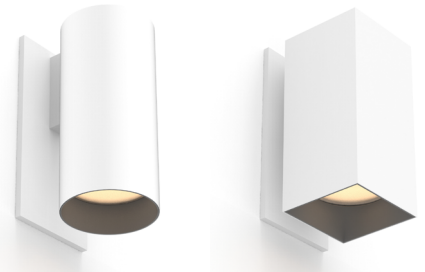


# WALL SCONCE CYLINDER & SQUILINDER®

Exceptional adaptability and performance in classic and modern silhouettes that mount seamlessly and invisibly to the wall.

PROJECT NAME:	TYPE:
---------------	-------



## ORDERING INFORMATION

**TITLE 24** JA8-2022 INDICATED BY SHADING

SHAPE	TYPE	RATING	BODY FINISH	BAFFLE FINISH	CRI / WATTAGE PACKAGE	CCT	LOWER OPTIC (UGR)	UPPER OPTIC (UGR)	DRIVER	LOWER MEDIA	UPPER MEDIA
		<b>2</b>									
<b>CW2</b> Cylinder	<b>DF</b> Downlight	2 Wet (IP65)	<b>WH</b> White	<b>WH</b> White	<b>DOWNLIGHT (DF)</b> <b>STATIC WHITE</b> <b>80S11A</b> 80+ CRI, 11W, Lm. Delivered - 1232 <b>80S17A</b> 80+ CRI, 17W, Lm. Delivered - 1893 <b>80S23A</b> 80+ CRI, 23W, Lm. Delivered - 2470 <b>90S11A</b> 90+ CRI, 11W, Lm. Delivered - 1028 <b>90S17A</b> 90+ CRI, 17W, Lm. Delivered - 1626 <b>90S23A</b> 90+ CRI, 23W, Lm. Delivered - 2122 <b>97S11A</b> 97+ CRI, 11W, Lm. Delivered - 929 <b>97S17A</b> 97+ CRI, 17W, Lm. Delivered - 1428 <b>97S23A</b> 97+ CRI, 23W, Lm. Delivered - 1863	<b>24</b> 2400K* <small>*190+CRI only</small> <b>27</b> 2700K <b>30</b> 3000K <b>35</b> 3500K <b>40</b> 4000K	<b>15</b> 15° (<13) <b>20</b> 20° (<10) <b>25</b> 25° (<10) <b>40</b> 40° (<10) <b>60</b> 60° (<16)	<b>00</b> DF Only* <small>*Required with DF fixture</small>	<b>DOWNLIGHT (DF)</b> <b>INTEGRAL</b> <b>PH2</b> 120V, 1% Forward/Reverse <b>SG2</b> 120-277V, 1% 0-10V, LOG <b>SN2</b> 120-277V, 1% 0-10V, LIN <b>REMOTE (120V)</b> <b>TR2</b> Philips, 2% Forward/Reverse <b>UP / DOWNLIGHT (UD)</b> <b>INTEGRAL</b> <b>CA3</b> 120-277V, 2% 0-10V Analog Logarithmic <b>CE3</b> 120V, 2% Forward/Reverse <b>REMOTE (120-277V)</b> <b>LH1</b> Lutron, Hi-Lume 1% Ecosystem <b>AN4</b> Philips Xitanium 1% 0-10V, LOG <b>EA2</b> eldoLED, SOLdrive 0.1% 0-10V, LOG <b>ED1</b> eldoLED, SOLdrive 0.1% DALI, LOG <b>AS1/ASR</b> Athena Control eldoLED, SOLdrive 0.1% 120-277V* <b>CS1/CSR</b> Casambi Control eldoLED, SOLdrive 0.1% 120-277V* <small>*Includes Node, Extended lead time, consult factory. ASR/CSR includes shunt!</small>	<b>3</b> Clear Glass Lens* <small>*Not available for Warm Dim</small> <b>4</b> Soft Focus Lens <b>5</b> Frosted Glass Lens <b>6</b> Frosted Soft Focus Lens <b>7</b> Frosted Linear Spread Lens* <small>*Not available for Squilinder!</small>	<b>9</b> Diffusion Lens* <small>*Required with UD fixture</small> <b>LEAVE BLANK FOR DOWNLIGHT (DF)</b>
<b>SW2</b> Squilinder	<b>UD</b> Up / Downlight		<b>AG</b> Satin Silver <b>AU</b> Cashmere Gold <b>BB</b> Burnt Bronze <b>AB</b> Architectural Bronze <b>BK</b> Black <b>CF</b> Custom Finish* <small>*Consult Factory</small>	<b>AG</b> Satin Silver <b>AU</b> Cashmere Gold <b>BB</b> Burnt Bronze <b>AB</b> Architectural Bronze <b>BK</b> Black <b>CF</b> Custom Finish* <small>*Consult Factory</small>							
					<b>UP / DOWNLIGHT (UD)</b> <b>STATIC WHITE</b> <b>80S11A</b> 80+ CRI, 11W, Lm. Delivered - 1271 <b>90S11A</b> 90+ CRI, 11W, Lm. Delivered - 1092 <b>97S11A</b> 97+ CRI, 11W, Lm. Delivered - 959 <small>*ALL DELIVERED LUMEN OUTPUTS AND T24 COMPLIANCE REFLECT 3000K PAIRED WITH 20° OPTIC AND SOFT FOCUS LENS.</small>	<b>24</b> 2400K* <small>*190+CRI only</small> <b>27</b> 2700K <b>30</b> 3000K <b>35</b> 3500K <b>40</b> 4000K	<b>15</b> 15° (<13) <b>20</b> 20° (<10) <b>25</b> 25° (<10) <b>40</b> 40° (<10) <b>60</b> 60° (<16)	<b>15</b> 15° (<16) <b>20</b> 20° (<13) <b>25</b> 25° (<13) <b>40</b> 40° (<13) <b>60</b> 60° (<13)	<small>SEE PAGE 3 FOR UGR RATINGS</small>	<small>SEE PAGE 3 FOR UGR RATINGS</small>	



### PART NUMBER NOTES

- Wall Sconce (ex.) CW2-DF2-WHBK-90S23A2-30-PH2-40
- Up / Downlight (UD) fixtures require two remote drivers
- Remote driver(s) ships as (ex.) PS-RMT-80S11A-1TR2

# WALL SCONCE

## ACCESSORIES

### CYLINDER ALTERNATE BAFFLE AND MEDIA

Includes baffle with sealed lens.  
Must specify baffle finish.

**RBA-CY2-\*\*-CGL** Clear Glass Lens\*

\*(Not available for Warm Dim)

**RBA-CY2-\*\*-SFL** Soft Focus Lens

**RBA-CY2-\*\*-FGL** Frosted Glass Lens

**RBA-CY2-\*\*-FSFL** Frosted Soft Focus Lens

**RBA-CY2-\*\*-FSL** Frosted Linear Spread Lens

\*\* Baffle finish: Specify **WH** for white, **BK** for black, **AG** for satin silver, **AB** for architectural bronze, **AU** for cashmere gold, or **BB** for burnt bronze.

### SQUILINDER ALTERNATE BAFFLE AND MEDIA

Includes baffle with sealed lens.  
Must specify baffle finish.

**RBA-SQ2-\*\*-CGL-2** Clear Glass Lens\*

\*(Not available for Warm Dim)

**RBA-SQ2-\*\*-SFL-2** Soft Focus Lens

**RBA-SQ2-\*\*-FGL-2** Frosted Glass Lens

**RBA-SQ2-\*\*-FSFL-2** Frosted Soft Focus Lens

\*\* Baffle finish: Specify **WH** for white, **BK** for black, **AG** for satin silver, **AB** for architectural bronze, **AU** for cashmere gold, or **BB** for burnt bronze.

### LOWER REPLACEMENT OPTIC

#### Static White

**RO-70-15-S** 15° optic

**RO-70-20-S** 20° optic

**RO-70-25-S** 25° optic

**RO-70-40-S** 40° optic

**RO-70-60-S** 60° optic

#### Warm Dim

**RO-70-20-W** 20° optic

**RO-70-25-W** 25° optic

**RO-70-40-W** 40° optic

**RO-70-60-W** 60° optic

### UPPER REPLACEMENT OPTIC

#### Static White

**RO-50-15-S** 15° optic

**RO-50-20-S** 20° optic

**RO-50-25-S** 25° optic

**RO-50-40-S** 40° optic

**RO-50-60-S** 60° optic

### REPLACEMENT SUCTION TOOL

Included with each order (1 per 10 fixtures).

**CY-SQ-TOOL-SUCTION** Baffle assembly removal tool

### EMERGENCY LIGHTING - REMOTE MOUNT ONLY

During disruption of main power, emergency battery inverter provides temporary 120V or 277V to fixture.

**EMB-S-25-120/277-LEDX** 25 watt max capacity, 120 or 277 VAC 60Hz, Non-dimmable

**EMB-S-100-120-LEDX** 100 watt max capacity, 120 VAC 60Hz, 0-10V Dimmable

**EMB-S-100-277-LEDX** 100 watt max capacity, 277 VAC 60Hz, 0-10V Dimmable

**EMB-S-250-120/277-LEDX** 250 watt max capacity, 120 or 277 VAC 60Hz, 0-10V Dimmable

# WALL SCNCE

## STATIC WHITE PERFORMANCE - 3000K - SOFT FOCUS LENS

LUMEN PACKAGE	WATTAGE	15° OPTIC		20° OPTIC		25° OPTIC		40° OPTIC		60° OPTIC	
		DELIVERED	LPW	DELIVERED	LPW	DELIVERED	LPW	DELIVERED	LPW	DELIVERED	LPW
<b>DOWNLIGHT</b>											
80S11A	11	1170	106	1232	112	1242	113	1194	109	113	103
80S17A	17	1790	105	1893	111	1895	111	1814	107	1722	101
80S23A	23	2351	102	2470	107	2463	107	2366	103	2230	97
90S11A	11	1005	91	1058	96	1067	97	1026	93	973	88
90S17A	17	1538	90	1626	96	1628	96	1558	92	1479	87
90S23A	23	2020	88	2122	92	2116	92	2033	88	1916	83
97S11A	11	882	80	929	84	937	85	901	82	854	78
97S17A	17	1350	79	1428	84	1429	84	1368	80	1299	76
97S23A	23	1774	77	1863	81	1858	81	1785	78	1682	73
90W18A (WL 27K-18K)	18	-	-	1099	61	1104	61	1074	60	1021	57
90W18A (WL 30K-18K)	18	-	-	1113	62	1107	62	1077	60	1028	57
<b>UPLIGHT</b>											
80S11A*	11	1187	108	1271	116	1262	115	1193	108	1296	118
90S11A*	11	1020	93	1092	99	1084	99	1025	93	113	101
97S11A*	11	896	81	959	87	952	87	900	82	977	89

**\*NOTE:** To determine total performance for up / downlight (UD) fixture, add Lm. Delivered of Up and Down configurations and divide by total system wattage (22W = 11W Up + 11W Down).

### UNIFIED GLARE RATING DOWNLIGHT

15° OPTIC SOFT FOCUS LENS	20° OPTIC SOFT FOCUS LENS	25° OPTIC SOFT FOCUS LENS	40° OPTIC SOFT FOCUS LENS	60° OPTIC SOFT FOCUS LENS
<13	<10	<10	<10	<16

### UNIFIED GLARE RATING UPLIGHT

15° OPTIC SOFT FOCUS LENS	20° OPTIC SOFT FOCUS LENS	25° OPTIC SOFT FOCUS LENS	40° OPTIC SOFT FOCUS LENS	60° OPTIC SOFT FOCUS LENS
<16	<13	<13	<13	<13

### OUTPUT MULTIPLIER

CCT	CCT SCALE
2400K	0.76
2700K	0.97
3000K	1.00
3500K	1.03
4000K	1.08

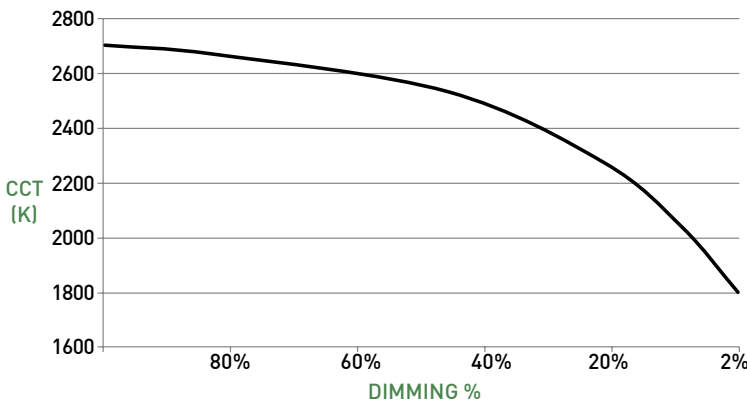
### MEDIA LIGHT LOSS MULTIPLIER

MEDIA	LIGHT LOSS FACTOR
No Lens	1.05
CGL	1.00
SFL	1.00
FGL	0.89
FSFL	0.87
FLSL	0.82

## WARM DIM PERFORMANCE - SOFT FOCUS LENS - 20° OPTIC

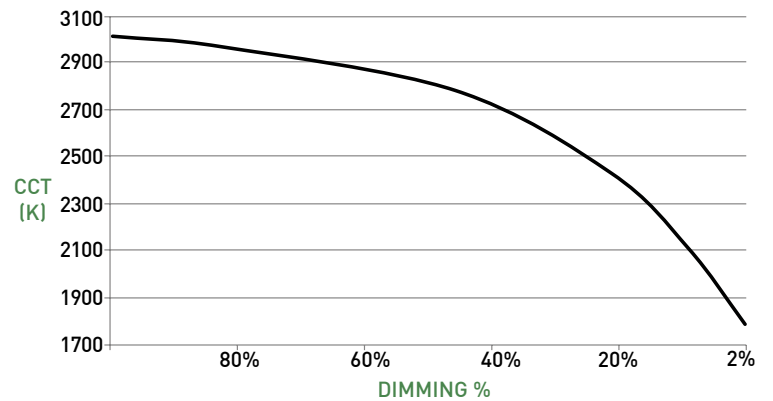
### INCANDESCENT PROFILE

90W11A 2700K - 1800K	Full on 100%	Dimmed to 80%	Dimmed to 70%	Dimmed to 50%	Dimmed to 20%	Dimmed to 10%	Dimmed to 2%
CCT (K)	2700	2650	2620	2520	2180	1950	1800
Light Output (Lm)	1099	879	769	549	219	109	22
Power (W)	18	14	13	9	4	2	0.3
Efficacy (LPW)	61	61	61	61	61	61	61



### HALOGEN PROFILE

90W12A 3000K - 1800K	Full on 100%	Dimmed to 80%	Dimmed to 70%	Dimmed to 50%	Dimmed to 20%	Dimmed to 10%	Dimmed to 2%
CCT (K)	3000	2950	2920	2775	2375	2000	1800
Light Output (Lm)	1113	890	779	556	222	111	22
Power (W)	18	14	13	9	4	2	0.3
Efficacy (LPW)	62	62	62	62	62	62	62



# WALL SCONCE

## CYLINDER

- A LUMINAIRE**  
Machined aluminum body with integrated heat sink and LED; power supply may be integral or remote mount.
- B LOWER OPTIC**  
Robust light engine with optimized optic pairing integrates Reflection, refraction, TIR offering 15°, 20°, 25°, 40° & 60° beams.
- C LOWER MEDIA**  
Cylinder baffle lens assembly can accept 1 lens sealed in place. Soft focus lens included as standard for lens. Suction tool provided for removal of baffle lens assembly.
- D UPPER MEDIA**  
Cylinder assembly can accept 1 lens sealed in place. Diffusion lens included as standard for lens.
- E UPPER OPTIC**  
Robust light engine with optimized optic pairing integrates Reflection, refraction, TIR offering 15°, 20°, 25°, 40° & 60° beams.

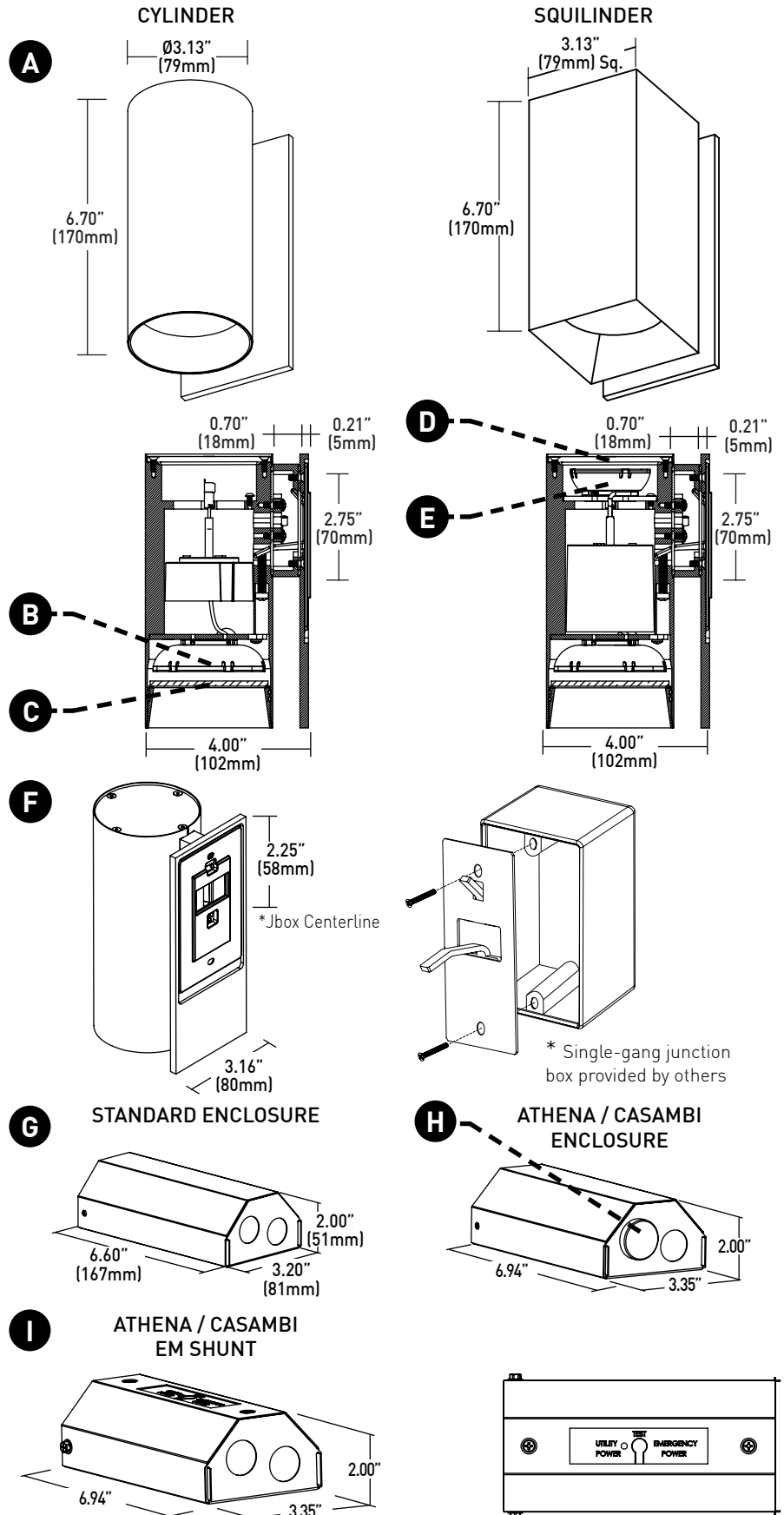
## MOUNTING

- F MOUNTING PLATE**  
Mounting plate (concealed) with factory supplied hidden screws after wall is fully finished. Single-gang junction box required for mounting. Fixture to mount flush with minimalist transition to wall.

## REMOTE POWER SUPPLY

- G PS-RMT**  
Remote power supply provides additional driver options. Consult installation guide for maximum allowable secondary run lengths between PS-RMT and fixture. Must be installed in an accessible location.
- H ATHENA / CASAMBI CONTROL**  
Controls integrated into housing or remote driver assembly. All equipment is serviceable.  
  
Athena Model Numbers: A-WN-D01-RF-BL & DFC-OEM-DBI  
  
Casambi Model Number: BT-S1E1-5400
- I ATHENA / CASAMBI EM SHUNT**  
Included with drivers specified as ASR, ADR, CSR, or CDR. One required for each wireless EM fixture, requires class 2 control wiring between fixture and shunt. Features integrated test switch.  
  
Model Number: PS-RMT-SHUNT

## DIMENSIONS / DRAWINGS



# WALL SCONCE

## TECHNICAL

### CONSTRUCTION

**Cylinder / Squilinder:** Machined aluminum body; extruded aluminum internal heat-sink; painted finishes are granulated powder coat.

**Remote Power Supply:** 22 Gauge galvanized steel.

### STATIC WHITE LED

2-step MacAdam ellipse LED module available in 80+, 90+ and 97+ CRI configurations in color temperatures of 2700K, 3000K, 3500K and 4000K. 3-step MacAdam ellipse LED module available in 90+ CRI configuration in color temperature of 2400K, Average rated lamp life: 50,000 hours. LED and driver assemblies are field-replaceable.

### WARM DIM LED

3-step MacAdam ellipse warm dim LED module available in 90+ CRI configuration. 3000K or 2700K at full brightness, warming to 1800K at full dim. Average rated lamp life of 50,000 hours. LED and driver assemblies are field-replaceable.

### POWER SUPPLY PERFORMANCE AND DIMMING INFORMATION

Power Supply	PHASE			0-10V					ECO	DALI	ATHENA	CASAMBI
	CE3	PH2	TR2	CA3	SG2	SN2	AN4	EA2	LH1	ED1	AS1	CS1
Minimum °C	-20 °C	-10 °C	-20 °C	-20 °C	-10 °C	-10 °C	-20 °C	-20 °C	0 °C	-20 °C	0 °C	-20 °C
Maximum °C	40 °C	40 °C	40 °C	40 °C	40 °C	40 °C	40 °C	40 °C	40 °C	40 °C	40 °C	40 °C
Dimming %	2.0%	1.0%	2.0%	2.0%	1.0%	1.0%	1.0%	0.1%	1.0%	0.1%	0.1%	0.1%

Note: For TR2, LH1, AN4 and EA2 drivers consult chart on page 6 to confirm appropriate dimming curve for compatibility with selected control.

### MAXIMUM ALLOWABLE REMOTE DRIVER WIRING DISTANCES

DRIVER	WIRE AWG				
	12	14	16	18	20
TR2, AN4	285'	180'	113'	71'	45'
LH1	60'	40'	25'	15'	-
EA2, ED1, AS1, CS1	-	-	118'	72'	46'

### MOUNTING

Cylinder is supplied with a mounting adaptor plate providing a minimalist transition accommodating wall thicknesses of 0.44" (7/16", 12mm) to 0.75" (3/4", 19mm).

### OPERATING TEMPERATURE

Down Light: 104°F (40°C).

### LISTING

cTUVus listed to UL1598 standard for Dry / Damp and Wet (IP65) locations.  
Title 24 JA8-2022 Listed.  
NEMA 410 Compliant.

### FIXTURE

Fixture - 2 lbs  
Remote Driver - 1.4 lbs

### LIMITED WARRANTY

Manufacturer's 1-year warranty guarantees product(s) listed to be free from defects in material and workmanship under normal use and service. 5-year warranty on LED and power supply to operate with 70% of the original flux and remain within a range of 3 duv. 10-year Lutron Advantage limited warranty available on Lutron equipped systems. Warranty period begins from the date of shipment by Seller. [Consult website for full warranty terms and conditions.](#)

### CHANGE LOG

- 01/12/2021: ADDED 2200K, 2700K-1800K WARM DIM OFFERINGS.
- 10/17/2022: REMOVED 90W13A 3200K-1800K WARM DIM AND ADDED 90W12A 3000K-1800K WARM DIM.
- 08/01/2023: UPDATED ALL LED AND OPTIC OFFERINGS. REMOVED 2200K OFFERING
- 01/11/2024: ADDED ATHENA AND CASAMBI CONTROL OFFERING. ADDED 2400K OFFERING.
- 04/4/2024: REMOVED RP1 DRIVER, ADDED PH2, SG2, SN2 INTEGRAL DRIVER OFFERINGS.
- 07/15/2024: REMOVED L23 DRIVER OFFERING.

# WALL SCNCE

## DIMMING COMPATIBILITY

### PHILIPS DRIVER COMPATIBILITY

Power supply TR2	Family/Model #
Lutron Electronics	DV-600P
Lutron Electronics	DVELV-303P
Lutron Electronics	NTELV-600
Lutron Electronics	MAELV-600
Lutron Electronics	SELV-300P
Lutron Electronics	DVLV-600P
Lutron Electronics	NFTU-5A
Lutron Electronics	CTCL-153P
Lutron Electronics	GL-600H
Lutron Electronics	S-600P
Lutron Electronics	PHPM
Power supply AN4	Family/Model #
Lutron Electronics	DDTV plus PP-DV
Lutron Electronics	DVSCTV plus PP-DV
Lutron Electronics	DVSTV
Lutron Electronics	DVSCSTV
Lutron Electronics	QSGRJ-XP plus GRX-TVI
Lutron Electronics	QSGRJ-XE plus GRX-TVI
Lutron Electronics	QSGR-XE plus GRX-TVI
Lutron Electronics	NFTV plus PP-DV
Lutron Electronics	NTSTV
Lutron Electronics	RMJ-5T
Lutron Electronics	RMJS-8T
Lutron Electronics	FCJS-010
Leviton	IlLumaTch IP7 series
Philips	Sunrise - SR1200ZTUNV

### LUTRON DRIVER COMPATIBILITY

Power supply LH1	Part No.
PowPak Dimming Modules	RMJ-ECO32-DV-B
PowPak Dimming Modules	FCJ/FCJS-ECO
Energi Savr Nodes	QSN-1ECO-S
GRAFIK Eye QS control unit	QSN-2ECO-S
Homeworks QS control unit	QSN-2ECO-S
GRAFIK Eye QS control unit	QSGRJ-_E (wireless)
Homeworks QS control unit	QSGR-_E
Quantum Hub	QP2-_ _ 2C
Quantum Hub	QP2-_ _ 4C
Quantum Hub	QP2-_ _ 6C
Quantum Hub	QP2-_ _ 8C
Homeworks QS power module	LQSE-2ECO-D
myRoom Plus power module	LQSE-2ECO-D



### eldoLED DRIVER COMPATIBILITY

Power supply EA2	Family/Model #
Busch-Jaeger	2112U-101
Jung	240-10
Leviton Lighting Controls	IP710-DLX
Lightolier Controls	ZP600FAM120
Lutron Electronics	Nova T® - NTFTV
Lutron Electronics	Divia® - DDTV
Lutron Electronics	Nova® - NFTV
Merten	5729
Pass & Seymour	CD4FB-W
The Watt Stopper	DCLV1
Sensor Switch	nIO EZ
Synergy	ISD BC
Lutron Electronics	GrafixEye® GRX-TVI w GRX3503
Lutron Electronics	Energi Savr Node™ - QSN-4T16-S
Lutron Electronics	TVM2 Module
Crestron®	GLX-DIMFLV8
Crestron®	GLXP-DIMFLV8
Crestron®	GLPAC-DIMFLV4-*
Crestron®	GLPAC-DIMFLV8-*
Crestron®	GLPP-DIMFLVEX-PM
Crestron®	GLPP-1DIMFLV2EX-PM
Crestron®	GLPP-1DIMFLV3EX-PM
Crestron®	DIN-A08
Crestron®	DIN-4DIMFLV4
Crestron®	CLS-EXP-DIMFLV
Crestron®	CLCI-1DIMFLV2EX
ABB	SD/S 2.16.1

## ANALOG DRIVERS AND DIMMERS

