

STELLARIS™ INT STEM MOUNT

PROJECT NAME:	TYPE:
---------------	-------

Organic shape and minimalist form conceals the mechanics of this high-performance luminaire, offering both volumetric and directional lighting with multiple light sources and infinite control options for layered illumination.



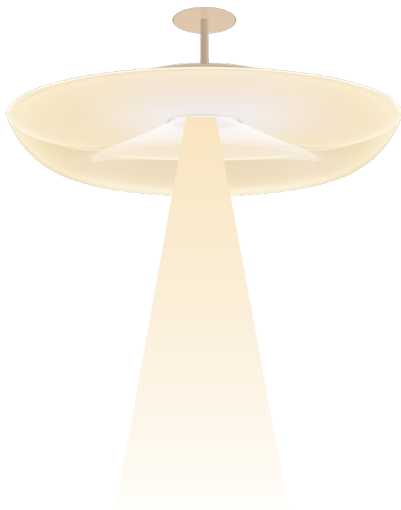
FEATURES

- Choose your light sources between downlight, waveguide, and uplight.
- Choose your controls grouping.
- Configurable stem lengths up to 172" that can be cut to any length.
- Up to 8992 combined delivered lumens.
- For custom finish combinations, please contact: productsupport@luciferlighting.com

ILLUMINATION OPTIONS

Stem mount features downlight, waveguide, and uplight that are all independently controllable.

DOWNLIGHT



WAVEGUIDE



UPLIGHT



AVAILABLE FINISHES



STELLARIS™ INT STEM MOUNT

PROJECT NAME:	TYPE:
---------------	-------

ORDERING INFORMATION

SERIES	STEM LENGTH	INTERIOR BODY FINISH	BAFFLE FINISH	EXTERIOR CANOPY / STEM FINISH	DOWNLIGHT CRI / WATTAGE	DOWN-LIGHT CCT	OPTIC	MEDIA	WAVEGUIDE CRI / WATTAGE	WAVE-GUIDE CCT	UPLIGHT CRI / WATTAGE	UPLIGHT CCT
S4D 30" Stellaris Stem Mount Dry / Damp Rated	043 43" Stem	WH White	WH White	WH White	STATIC WHITE 9N 90+ CRI, 17W, Narrow Bean 707 Lm* *(Requires "1" 10° Optic)	1 2700K 2 3000K 3 3500K	1 10°* *(Requires "9N" CRI / Wattage package)	1 Honeycomb Louver 3 Frosted Glass Lens 4 Soft Focus Lens* *(Required for "1" 10° Optic)	STATIC WHITE 9M 90+ CRI, 50W, 3563 Lm 9H 90+ CRI, 85W, 3905 Lm	1 2700K 2 3000K 3 3500K	STATIC WHITE M 90+ CRI, 5W, 369 Lm H 90+ CRI, 10W, 566 Lm	1 2700K 2 3000K 3 3500K
	086 86" Stem	AG Satin Silver	AG Satin Silver	AG Satin Silver								
S4B 30" Ball Joint Stem Mount Sloped Ceiling Dry / Damp Rated	129 129" Stem	AU Cashmere Gold	AU Cashmere Gold	AU Cashmere Gold	WARM DIM 9W 90+ CRI, 50W, 4062 Lm	L 2700K - 1800K D 3000K - 1800K	2 15° 3 20° 4 25° 5 40° 6 60° 8 85°* *(Requires "7" WDL Lens) 0 No Downlight* *(Required for no downlight configurations)	5 Frosted Soft Focus Lens 6 Frosted Linear Spread Lens 7 Wide Distribution Lens* *(Requires "8" 85° Optic)	WARM DIM 9W 90+ CRI, 50W, 2461 Lm	L 2700K - 1800K D 3000K - 1800K	WARM DIM W 90+ CRI, 5W, 374 Lm D 3000K - 1800K	L 2700K - 1800K D 3000K - 1800K
	172 172" Stem	BB Burnt Bronze	BB Burnt Bronze	BB Burnt Bronze								
STEMS PROVIDED IN 43" SECTIONS. ALL STEM LENGTHS ARE FIELD CUTTABLE.		BK Black	BK Black	BK Black	TUNABLE WHITE 9T 90+ CRI, 40W, 3265 Lm* *(Tunable white sources cannot be mixed)	R 4000K - 1800K H 5000K - 2700K	0 No Downlight	N No Lens* *(Required for no downlight configurations)	TUNABLE WHITE 9T 90+ CRI, 40W, 1771 Lm* *(Tunable white sources cannot be mixed)	R 4000K - 1800K H 5000K - 2700K	TUNABLE WHITE T 90+ CRI, 5W, 440 Lm* *(Tunable white sources cannot be mixed)	R 2700K - 1800K H 5000K - 2700K
		CF Custom Finish* *(Consult Factory)	CF Custom Finish* *(Consult Factory)	CF Custom Finish* *(Consult Factory)								
				NO DOWNLIGHT 00 No Downlight		0 No Downlight		TUNABLE WHITE 9T 90+ CRI, 40W, 1771 Lm* *(Tunable white sources cannot be mixed)		R 4000K - 1800K H 5000K - 2700K	NO UPLIGHT 0 No Uplight	

CONTROL ZONES	DRIVER TYPE	DRIVER (SELECT ONE)		MOUNTING
2 Zone A : Downlight Zone B : Waveguide Zone A and B controlled independently; can be wired to the same control zone as needed.	C Integral Export D Remote Export* *(Required for "NOD" No Driver)	INTEGRAL OR REMOTE 120V-277V IG1 eldoLED, SOLOdrive, 0.1% 0-10V, LOG IN1 eldoLED, SOLOdrive, 0.1% 0-10V, LIN ID1 eldoLED, SOLOdrive, 0.1% DALI-2 DT6, LOG NOD No Driver* *(See page 8 for specification information)	TUNABLE WHITE REMOTE 120V-277V DD2 eldoLED, DUALdrive 0.1% DALI-2 DT8, LOG ID1 eldoLED, SOLOdrive, 0.1% DALI-2 DT6, LOG NOD No Driver* *(See page 8 for specification information)	E Standard, Export Surface Mounting Plate

STELLARIS INT STEM MOUNT

ACCESSORIES

ALTERNATE DOWNLIGHT MEDIA

- HCL-S4C-01** Honeycomb Louver
- FGL-S4C-01** Frosted Glass Lens
- SFL-S4C-01** Soft Focus Lens
- FSFL-S4C-01** Frosted Soft Focus Lens
- WDL-S4C-01** Wide Distribution Lens*
- *Requires "6" 60° Optic
- FLSL-S4C-01** Frosted Linear Spread Lens

REPLACEMENT DOWNLIGHT BAFFLE ASSEMBLIES

- RBA-S4C-WH** White
- RBA-S4C-AB** Architectural Bronze
- RBA-S4C-AG** Satin Silver
- RBA-S4C-AU** Cashmere Gold
- RBA-S4C-BB** Burnt Bronze
- RBA-S4C-BK** Black

*Replacement baffles do not include media.

REPLACEMENT DOWNLIGHT OPTIC ASSEMBLIES

STATIC WHITE

- RO-70-15-S** 15° optic
- RO-70-20-S** 20° optic
- RO-70-25-S** 25° optic
- RO-70-40-S** 40° optic
- RO-70-60-S** 60° optic

WARM DIM

- RO-70-15-W** 15° optic
- RO-70-20-W** 20° optic
- RO-70-25-W** 25° optic
- RO-70-40-W** 40° optic
- RO-70-60-W** 60° optic

TUNABLE WHITE

- RO-70-15-T** 15° optic
- RO-70-20-T** 20° optic
- RO-70-25-T** 25° optic
- RO-70-40-T** 40° optic
- RO-70-60-T** 60° optic

DRIVE CURRENT SPECIFICS

	DOWNLIGHT					WAVEGUIDE				UPLIGHT			
	9N	9L	9M	9W	9T	9M	9H	9W	9T	M	H	W	T
Minimum Vf	31	31	31	31	31	30	30	18	25	28	28	28	28
Maximum Vf	36	36	36	36	36	37	40	38	31	30	31	35	28
Current mA	400	900	1150	1150	900	1150	2000	1600	900	150	250	150	150
Wattage W	17	38	50	50	40	50	85	50	40	10	5	5	5

STELLARIS INT STEM MOUNT

DOWNLIGHT PERFORMANCE - 3000K

LUMEN PACKAGE	WATTAGE	10° OPTIC / SFL		15° OPTIC / NO LENS		20° OPTIC / NO LENS		25° OPTIC / NO LENS		40° OPTIC / NO LENS		60° OPTIC / NO LENS		85° OPTIC / WDL	
		DELIVERED	LPW	DELIVERED	LPW	DELIVERED	LPW	DELIVERED	LPW	DELIVERED	LPW	DELIVERED	LPW	DELIVERED	LPW
9N2	17	707	32	-	-	-	-	-	-	-	-	-	-	-	-
9L2	38	-	-	3602	95	3663	96	3688	97	3524	93	3419	90	2906	76
9M2	50	-	-	4415	88	4491	90	4521	90	4320	86	4192	84	3563	71
9WL (2700K-1800K)	50	-	-	3967	79	4036	81	4062	81	3882	78	3767	75	3202	64
9WD (3000K-1800K)	50	-	-	4141	83	4213	84	4240	85	4052	81	3932	79	3342	67
9TH (4000K-1800K)	40	-	-	3189	80	3244	81	3265	82	3120	78	3028	76	2573	64
9TR (5000K-2700K)	40	-	-	3456	86	3516	88	3539	88	3382	85	3281	82	2789	70

MAXIMUM DOWNLIGHT UNIFIED GLARE RATING (NO LENS)

10° OPTIC	15° OPTIC	20° OPTIC	25° OPTIC	40° OPTIC	60° OPTIC	85° OPTIC
<13	<19	<19	<19	<19	<16	>19

STATIC WHITE OUTPUT MULTIPLIER

CCT	CCT SCALE
2700K	0.96
3000K	1.00
3500K	1.05

MEDIA LIGHT LOSS FACTOR

MEDIA	LIGHT LOSS FACTOR
No Lens	1.00
SFL	1.00
FGL	0.94
FSFL	0.93
WDL	0.85
HCL	0.72

WAVEGUIDE PERFORMANCE

LUMEN PACKAGE	WATTAGE	2700K		3000K		3500K	
		DELIVERED	LPW	DELIVERED	LPW	DELIVERED	LPW
9M	50	2357	47	2563	51	2517	50
9H	85	3591	42	3905	46	3915	46
9WL (2700K-1800K)	50	2461	49	-	-	-	-
9WD (3000K-1800K)	50	-	-	2189	44	-	-
9TH (4000K-1800K)	40	-	-	1771	44	-	-
9TR (5000K-2700K)	40	-	-	1760	44	-	-

UPLIGHT PERFORMANCE

LUMEN PACKAGE	WATTAGE	2700K		3000K		3500K	
		DELIVERED	LPW	DELIVERED	LPW	DELIVERED	LPW
M	5	374	75	369	74	382	76
H	10	573	57	566	57	586	59
WL (2700K-1800K)	5	374	75	-	-	-	-
WD (3000K-1800K)	5	-	-	354	71	-	-
TH (4000K-1800K)	5	-	-	440	88	-	-
TR (5000K-2700K)	5	-	-	429	86	-	-

STELLARIS INT STEM MOUNT

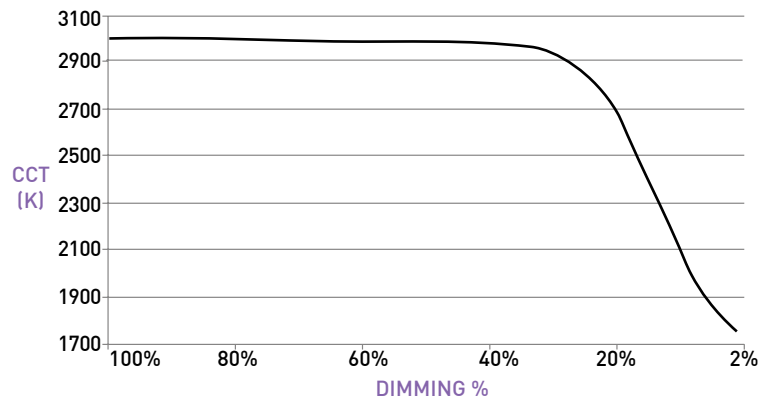
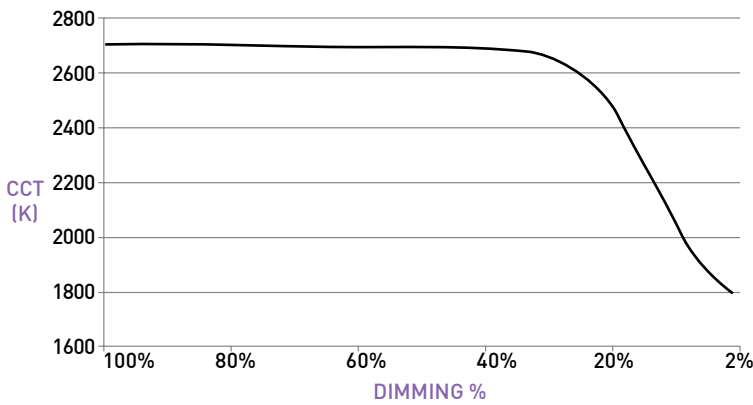
WARM DIM PERFORMANCE

INCANDESCENT PROFILE

DOWNLIGHT 9WL 2700K - 1800K	Full on 100%	Dimmed to 80%	Dimmed to 70%	Dimmed to 50%	Dimmed to 20%	Dimmed to 10%	Dimmed to 2%
CCT (K)	2700	2700	2700	2700	2650	2050	1800
Light Output (Lm)	4062	3250	2843	2031	812	406	81
Power (W)	50	40	35	25	10	5	1
Efficacy (LPW)	81	81	81	81	81	81	81
WAVEGUIDE 9WL 2700K - 1800K	Full on 100%	Dimmed to 80%	Dimmed to 70%	Dimmed to 50%	Dimmed to 20%	Dimmed to 10%	Dimmed to 2%
CCT (K)	2700	2700	2700	2700	2650	2050	1800
Light Output (Lm)	2461	1969	1723	1231	492	246	49
Power (W)	50	40	35	25	10	5	1
Efficacy (LPW)	49	49	49	49	49	49	49

HALOGEN PROFILE

DOWNLIGHT 9WD 3000K - 1800K	Full on 100%	Dimmed to 80%	Dimmed to 70%	Dimmed to 50%	Dimmed to 20%	Dimmed to 10%	Dimmed to 2%
CCT (K)	3000	3000	3000	3000	2900	2100	1800
Light Output (Lm)	4240	3992	2968	2120	848	424	58
Power (W)	50	40	35	25	10	5	1
Efficacy (LPW)	85	85	85	85	85	85	85
WAVEGUIDE 9WD 3000K - 1800K	Full on 100%	Dimmed to 80%	Dimmed to 70%	Dimmed to 50%	Dimmed to 20%	Dimmed to 10%	Dimmed to 2%
CCT (K)	3000	3000	3000	3000	2900	2100	1800
Light Output (Lm)	2189	1751	1532	1095	438	219	44
Power (W)	50	40	35	25	10	5	1
Efficacy (LPW)	44	44	44	44	44	44	44



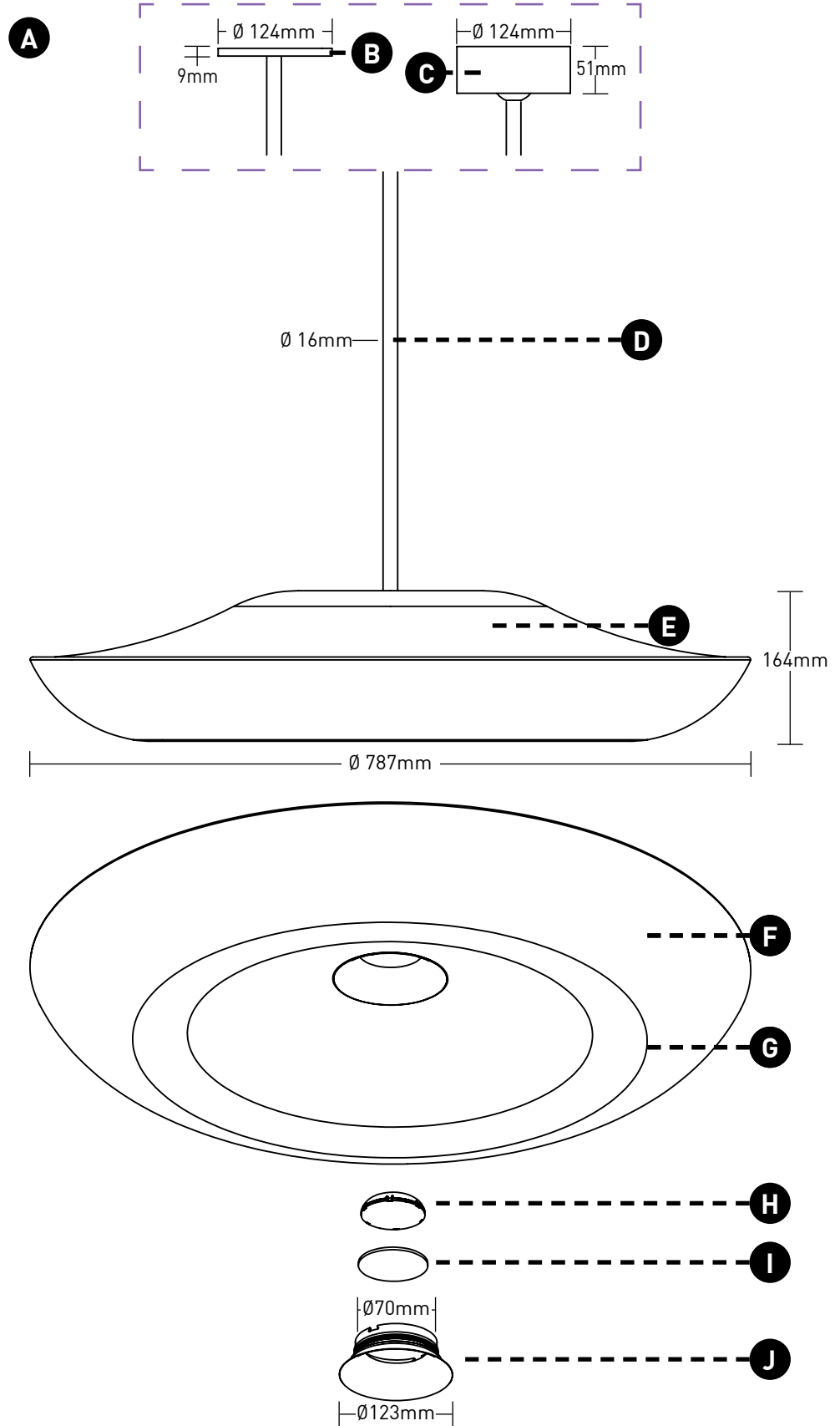
NOTE: LIN-TO-LIN 0-10V PAIRING NOT COMPATIBLE WITH WARM DIM.

STELLARIS INT STEM MOUNT

STEM MOUNT

DIMENSIONS / DRAWINGS

- A LUMINAIRE**
Body with integrated heat sink and LED assemblies. Power supplies may be integral or remote mount.
- B S4D STEM MOUNT CANOPY**
Provided with S4D fixtures. Magnetic canopy plate conceals hidden mounting hardware. Available in powdercoat finishes.
- C S4B BALL JOINT CANOPY**
Provided with S4B fixtures. Magnetic canopy conceals ball joint assembly and mounting plate. Compatible with up to 12/12 pitch ceilings. Available in powdercoat finishes.
- D STEM**
Available in powdercoat finishes in field cuttable lengths up to 192"; supplied in 43" increments, 2" minimum length.
- E BACKCAP**
Conceals view into fixture and houses integral driver assemblies. Available in powdercoat finishes.
- F BODY**
Visible when off behind waveguide. Available in powdercoat finishes.
- G WAVEGUIDE**
Transmits light creating illumination effect. Ships with protective cover installed.
- H OPTIC**
Robust light engine with optimized optic pairing integrates Reflection, Refraction and TIR offering 10°, 15°, 20°, 25°, 40°, 60°, and 85° beams.
- I MEDIA**
Limited to one effects device. Media is field-changeable.
- J BAFFLE**
Die-cast removable baffle features 71° glare cutoff. Minimizes aperture glare and conceals view into fixture; includes silicone gasket.



CLEANING INSTRUCTIONS

Factory recommends cleaning waveguide assembly with a microfiber cloth or similar non-abrasive cloth. In most cases a damp microfiber cloth will remove dust/debris or fingerprints. For stubborn stains, approved cleaning agents include soap and water.

STELLARIS INT STEM MOUNT

STEM MOUNTING

I S4D STEM MOUNT

Does not require installation prior to rough-in. Mounting plate sits atop ceiling for attachment of mounting adaptor.

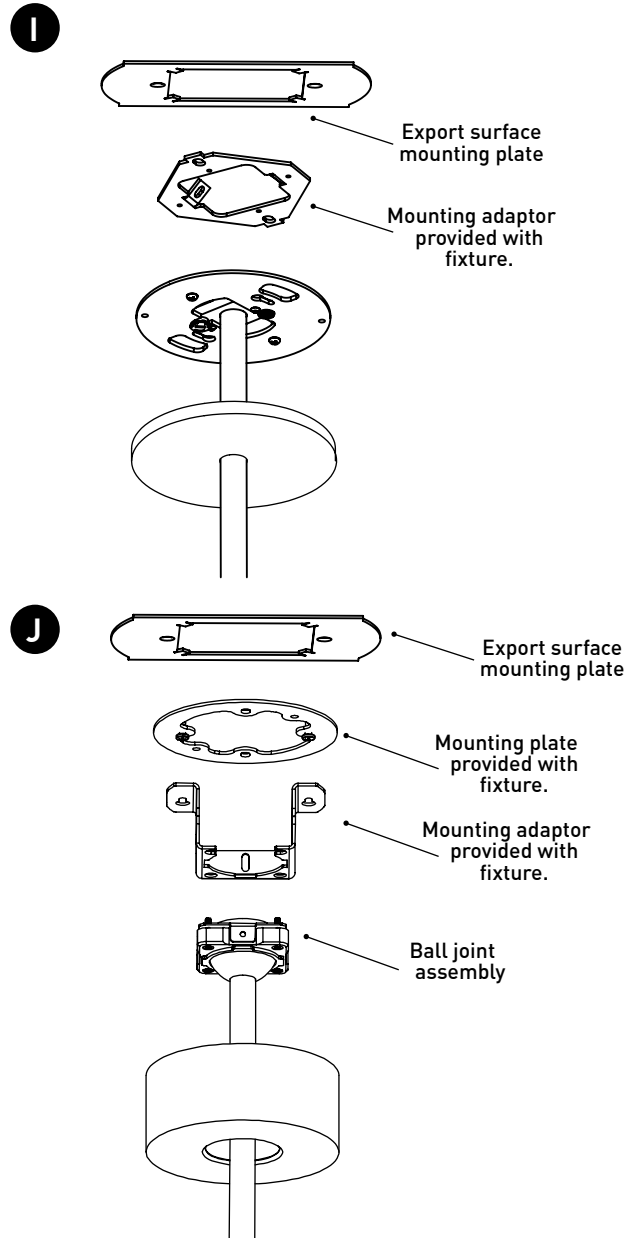
NOTE: Fixture weighs up to 14 kg. Blocking is required for installation in gypsum ceilings.

J S4B BALL JOINT STEM MOUNT

Ball joint features easy lift-in engagement to fixture and safety lanyard. No rough-in components required. Mounting plate sits atop ceiling for attachment of mounting adaptor.

NOTE: Fixture weighs up to 14 kg. Blocking is required for installation in gypsum ceilings.

DIMENSIONS / DRAWINGS



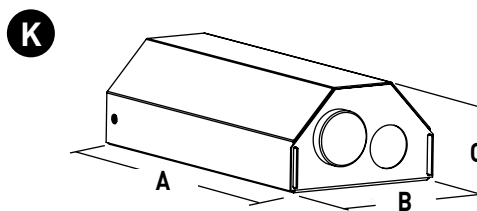
REMOTE POWER SUPPLY

K PS-RMT

Each source requires a separate remote power supply. Consult chart on page 9 for maximum allowable secondary run lengths between PS-RMT and fixture. Must be installed in an accessible location.

Note: Not included with fixtures designated as NOD.

DIMENSIONS / DRAWINGS



	A	B	C
UPLIGHT	177mm	86mm	51mm
DOWNLIGHT / WAVEGUIDE	206mm	127mm	51mm

STELLARIS INT STEM MOUNT

NO DRIVER (NOD) SPECIFICATION NOTES

- Customers are responsible for ensuring power supply drive current is set to correct values shown below in the drive current specifics section.
- Customers must ensure voltage range of the proposed power supply encompasses the fixtures complete Vf range, both maximum and minimum, and can be set to the required mA drive current. If assistance is required contact your manufacturers representative or the factory.
- Lucifer Lighting is not responsible for confirming dimming compatability between power supplies and control systems / dimmers.
- Lucifer Lighting will not ship fixtures with a power supply supplied by others inside the fixture.
- Consult power supply manufacturer for maximum remote wiring distances.
- Housing and Fixture feature 18 AWG wiring.
- Wiring connections are made in the splicing compartment using customer supplied connectors, ex. wire nuts, push-in connectors, or terminal blocks.

DRIVE CURRENT SPECIFICS

	DOWNLIGHT					WAVEGUIDE				UPLIGHT			
	9N	9L	9M	9W	9T	9M	9H	9W	9T	M	H	W	T
Minimum Vf	31	31	31	31	31	30	30	18	25	28	28	28	28
Maximum Vf	36	36	36	36	36	37	40	38	31	30	31	35	28
Current mA	400	900	1150	1150	900	1150	2000	1600	900	150	250	150	150
Wattage W	17	38	50	50	40	50	85	50	40	10	5	5	5

STELLARIS INT STEM MOUNT

TECHNICAL

CONSTRUCTION

Fixture: Machined aluminum canopy and spun reflector; die-cast aluminum heat-sink; painted finishes are granulated powder coat.
CMJB: Die-cast or Machined aluminum body; painted finishes are granulated powder coat.
Remote Power Supply: 22 Gauge galvanized steel.

STATIC WHITE LED

2-step MacAdam ellipse LED module available in 90+ CRI configurations in color temperatures of 2700K, 3000K, 3500K and 4000K. Average rated lamp life: 50,000 hours. LED and driver assemblies are field-replaceable.

WARM DIM LED

3-step MacAdam ellipse warm dim LED module available in 90+ CRI configuration. 3000K or 2700K at full brightness, warming to 1800K at full dim. Average rated lamp life of 50,000 hours. LED and driver assemblies are field-replaceable.

TUNABLE WHITE LED

3-step MacAdam ellipse tunable white LED module available in 90+ CRI configuration. Features tuning range of 2700K to 5000K and 1800K to 4000K. Average rated lamp life of 50,000 hours. Driver assemblies are field-replaceable.

POWER SUPPLY PERFORMANCE AND DIMMING INFORMATION

Power Supply	0-10V		DALI	
	IG2	IN2	ID2	DD2
Minimum °C	-10 °C	-10 °C	-20 °C	-20 °C
Maximum °C	40 °C	40 °C	40 °C	40 °C
Dimming %	1.0%	1.0%	0.1%	0.1%

Note: For IG2 and IN2 drivers consult chart on page 9 to confirm appropriate dimming curve for compatibility with selected control.

MAXIMUM ALLOWABLE REMOTE DRIVER WIRING DISTANCES

DRIVER	WIRE AWG				
	12	14	16	18	20
IG2, IN2, ID2, DD2	-	-	118'	72'	46'

MOUNTING

Fixture is supplied with a mounting adapter, which integrates with standard 4/0 junction boxes. Ceiling-mount junction box available for 1/2" and 3/4" conduit and features concealed internal clamps for clean fitting-free conduit exit and entry.

LISTING

CE listed for Dry / Damp locations.
NEMA 410 Compliant.

LIMITED WARRANTY

Manufacturer's 1-year warranty guarantees product(s) listed to be free from defects in material and workmanship under normal use and service. 5-year warranty on LED and power supply to operate with 70% of the original flux and remain within a range of 3 duv. 10-year Lutron Advantage limited warranty available on Lutron equipped systems. Warranty period begins from the date of shipment by Seller. Consult [website](#) for full warranty terms and conditions.

STELLARIS INT STEM MOUNT

DIMMING COMPATIBILITY

eldoLED DRIVER COMPATIBILITY

Power supply IG2 Manufacturer	Family/Model #
Busch-Jaeger	2112U-101
Jung	240-10
Leviton Lighting Controls	IP710-DLX
Lightolier Controls	ZP600FAM120
Merten	5729
Pass & Seymour	CD4FB-W
The Watt Stopper	DCLV1
Synergy	ISD BC
Crestron®	GLX-DIMFLV8
Crestron®	GLXP-DIMFLV8
Crestron®	GLPAC-DIMFLV4-*
Crestron®	GLPAC-DIMFLV8-*
Crestron®	GLPP-DIMFLVEX-PM
Crestron®	GLPP-1DIMFLV2EX-PM
Crestron®	GLPP-1DIMFLV3EX-PM
Crestron®	DIN-A08
Crestron®	DIN-4DIMFLV4
Crestron®	CLS-EXP-DIMFLV
Crestron®	CLCI-1DIMFLV2EX
Power supply IN2 Manufacturer	Family/Model #
Lutron Electronics	Nova T® - NTFTV
Lutron Electronics	Diva® - DDTV
Lutron Electronics	Nova® - NFTV
Lutron Electronics	GrafixEye® GRX-TVI w GRX3503
Lutron Electronics	Energy Savr Node™ - QSN-4T16-S
Lutron Electronics	TVM2 Module
Sensor Switch	nI0 EZ
ABB	SD/S 2.16.1

ANALOG DRIVERS AND DIMMERS

