

MONOPOINT CM2 HANG STRAIGHT

An innovative solution for sloped ceilings, this monopoint "hang straight" can suspend with a rigid stem up to 4' in length, for ceiling pitches up to 45° while still allowing for a full 90° tilt.

PROJECT NAME:	TYPE:
---------------	-------



ORDERING INFORMATION - MONOPOINT



JA8-2022 COMPLIANCE INDICATED BY SHADING

CYLINDER	LENGTH	FIXTURE	BODY FINISH	BAFFLE FINISH	STEM FINISH	CRI/WATTAGE PACKAGE	CCT	OPTIC (UGR)	DRIVER	MEDIA	MOUNTING				
CM2		HS1													
CM2 3.25"	LENGTHS SL 3" Standard 24 24" 48 48" 24" AND 48" STEMS ARE FIELD CUTTABLE. 3" STANDARD LENGTH STEM IS MINIMUM LENGTH.	ADJUSTABLE DRY / DAMP HS1 Adjustable 90° Fixture Tilt, Max ceiling pitch 12/12 (45°)	POWDERCOAT WH White	POWDERCOAT WH White	POWDERCOAT WH White	STATIC WHITE 80S11A 80+ CRI, 11 Watts lm Delivered - 1216 80S17A 80+ CRI, 17 Watts lm Delivered - 1843 90S11A 90+ CRI, 11 Watts lm Delivered - 1045 90S17A 90+ CRI, 17 Watts lm Delivered - 1583 97S11A 97+ CRI, 11 Watts lm Delivered - 918 97S17A 97+ CRI, 17 Watts lm Delivered - 1390 REMOTE STATIC WHITE 80S28B 80+ CRI, 28 Watts lm Delivered - 2756 90S28B 90+ CRI, 28 Watts lm Delivered - 2368 97S28B 97+ CRI, 28 Watts lm Delivered - 2079 WARM DIM 90W18A 90+ CRI, 18 Watts Incandescent Profile lm Delivered - 1140 Halogen Profile lm Delivered - 1128 SEE PAGE 3 FOR WARM DIM PROFILE COMPARISON. REMOTE TUNABLE WHITE 90T28A 90+ CRI, 28W Cool Profile: 5000K - 2700K lm Delivered - 1977 Warm Profile: 4000K - 1800K lm Delivered. - 1995	24 2400K* * (90+ CRI only) 27 2700K 30 3000K 35 3500K 40 4000K 27 2700K 30 3000K 35 3500K* * (Not available for 97+ CRI) 40 4000K WL 2700K - 1800K WD 3000K - 1800K TH 5000K - 2700K TR 4000K - 1800K	10 10° (>19) 15 15° (<13) 20 20° (<10) 25 25° (<10) 40 40° (<10) 60 60° (<16) 15 15° (<13) 20 20° (<10) 25 25° (<10) 40 40° (<10) 60 60° (<16) 20 20° (<10) 25 25° (<10) 40 40° (<10) 60 60° (<13) 15 15° (<13) 20 20° (<13) 25 25° (<13) 40 40° (<13) 60 60° (<16)	INTEGRAL CA 0-10V Analog 120-277V CE Electronic ELV / TRIAC 120V REMOTE (120V) RE Electronic ELV / TRIAC L2 Lutron, Hi-Lume 1% 2-wire REMOTE (120V-277V) RA 0-10V Analog LH Lutron, Hi-Lume Ecosystem 1% Fade to Black, LP Lutron, Hi-Lume Premier Ecosystem 0.1% Fade to Black EG eldoLED, SOLdrive 0.1% 0-10V, LOG EN eldoLED, SOLdrive 0.1% 0-10V, LIN ED eldoLED, SOLdrive 0.1% DALI-2, LOG AS1 / Athena Control ASR eldoLED, DUALdrive 0.1%* * (Includes Athena Node. Increased lead time, consult factory. ASR includes shunt.) CS1 / Casambi Control CSR eldoLED, DUALdrive 0.1%* * (Includes Athena Node. Increased lead time, consult factory. CSR includes shunt.) TUNABLE WHITE POWER SUPPLIES (120-277V) DD1 eldoLED, DUALdrive 0.1% DALI-2, LOG DG1 eldoLED, DUALdrive 0.1% 0-10V, LOG DL1 eldoLED, DUALdrive 0.1% 0-10V, LIN AD1 / Athena Control ADR eldoLED, DUALdrive 0.1%* * (Includes Athena Node. Increased lead time, consult factory. ADR includes shunt.) CD1 / Casambi Control CDR eldoLED, DUALdrive 0.1%* * (Includes Casambi Node. Extended lead time, consult factory. CDR includes shunt)	STANDARD MEDIA 4 Soft Focus Lens* * (Required for 10° optic) ALTERNATE MEDIA 2 Honeycomb Louver* * (Not available for Wet Location or Warm Dim) 3 Clear Glass Lens* * (Not available for Warm Dim) 5 Frosted Glass Lens 6 Frosted Soft Focus Lens 7 Frosted Linear Spread Lens S Soft Focus Lens w/ Honeycomb Louver F Frosted Glass Lens w/ Honeycomb Louver N No Lens* * (Not available for Wet Location or Warm Dim)	ROUGH-IN J JBMP 4" Sq. or 4/0 Junction Box Mounting Plate. Features 3.25" diameter canopy* * (Mounting plate must be installed on junction box prior to ceiling installation) FINISH OUT G Zero Sightline Gypsum (1/16" Applique) Features 2.6" diameter canopy* * (Mounts to 4/0 junction box) W Zero Sightline Millwork Features 2.6" diameter canopy* * (Mounts to 4/0 junction box. Requires accessory part number CMHS-RTG ordered separately.) R Remodel 4.5" diameter Flange Overlay Canopy* * (Mounts to existing 4/0 junction box)				
			POWDERCOAT BK Black	POWDERCOAT BK Black	POWDERCOAT BK Black		ALUMINA 01 Brushed Obsidian 02 Matte Obsidian 03 Brushed Dark Patinated Bronze 04 Matte Dark Patinated Bronze 05 Brushed Aged Aluminum 06 Matte Aged Aluminum 07 Brushed Cast Brass 08 Matte Cast Brass 09 Brushed Light Patinated Bronze 10 Matte Light Patinated Bronze	ALUMINA CONSULT FACTORY FOR ALUMINA FINISHES	ALUMINA CONSULT FACTORY FOR ALUMINA FINISHES						
			POWDERCOAT AB Architectural Bronze	POWDERCOAT AB Architectural Bronze	POWDERCOAT AB Architectural Bronze										
			POWDERCOAT AG Satin Silver	POWDERCOAT AG Satin Silver	POWDERCOAT AG Satin Silver										
			POWDERCOAT AU Cashmere Gold	POWDERCOAT AU Cashmere Gold	POWDERCOAT AU Cashmere Gold										
			POWDERCOAT BB Burnt Bronze	POWDERCOAT BB Burnt Bronze	POWDERCOAT BB Burnt Bronze										
			POWDERCOAT CF Custom Finish* * (Consult Factory)	POWDERCOAT CF Custom Finish* * (Consult Factory)	POWDERCOAT CF Custom Finish* * (Consult Factory)										
			ALUMINA 01 Brushed Obsidian	ALUMINA 02 Matte Obsidian	ALUMINA 03 Brushed Dark Patinated Bronze										
			ALUMINA 04 Matte Dark Patinated Bronze	ALUMINA 05 Brushed Aged Aluminum	ALUMINA 06 Matte Aged Aluminum										
			ALUMINA 07 Brushed Cast Brass	ALUMINA 08 Matte Cast Brass	ALUMINA 09 Brushed Light Patinated Bronze										
ALUMINA 10 Matte Light Patinated Bronze															

PART NUMBER NOTES

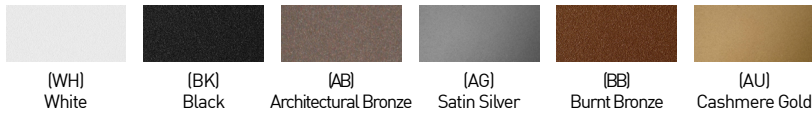
- CM2 ships as e.g., CM224HS1WHBKWH90S11*3040CA*4
- Remote driver ships as e.g., PS-RMT-90S-28B-1L2*
- Mounting ships separate from fixture, part numbers listed on page 5.



MONOPOINT CM2 HANG STRAIGHT

FINISHES

POWDERCOAT FINISHES



ALUMINA FINISHES BY LUCIFER LIGHTING™



ACCESSORIES

REPLACEMENT MEDIA

HCL-CT2 Honeycomb Louver*
*(Not available for Warm Dim)

CGL-CT2 Clear Glass Lens*
*(Not available for Warm Dim)

SFL-CT2 Soft Focus Lens

FGL-CT2 Frosted Glass Lens

FSFL-CT2 Frosted Soft Focus Lens

FLSL-CT2 Frosted Linear Spread Lens

SECOND MEDIA GASKET

Replaces standard gasket when installing second media. Not required if two media are specified with fixture.

2EDG-CT2 Two Media Gasket

REPLACEMENT OPTICS

Interchangeable optics accessible by removing baffle.

Static White	Warm Dim	Tunable White
<input type="checkbox"/> RO-70-15-S 15° optic	<input type="checkbox"/> RO-70-20-W 20° optic	<input type="checkbox"/> RO-70-15-T 15° optic
<input type="checkbox"/> RO-70-20-S 20° optic	<input type="checkbox"/> RO-70-25-W 25° optic	<input type="checkbox"/> RO-70-20-T 20° optic
<input type="checkbox"/> RO-70-25-S 25° optic	<input type="checkbox"/> RO-70-40-W 40° optic	<input type="checkbox"/> RO-70-25-T 25° optic
<input type="checkbox"/> RO-70-40-S 40° optic	<input type="checkbox"/> RO-70-60-W 60° optic	<input type="checkbox"/> RO-70-40-T 40° optic
<input type="checkbox"/> RO-70-60-S 60° optic		<input type="checkbox"/> RO-70-60-T 60° optic

EMERGENCY LIGHTING - REMOTE MOUNT ONLY

During disruption of main power, emergency battery inverter provides temporary 120V or 277V to fixture.

- EMB-S-25-120/277-LEDX** 25 watt max capacity, 120 or 277 VAC 60Hz, Non-Dimmable
- EMB-S-100-120-LEDX** 100 watt max capacity, 120 VAC 60Hz, 0-10V Dimmable
- EMB-S-100-277-LEDX** 100 watt max capacity, 277 VAC 60Hz, 0-10V Dimmable
- EMB-S-250-120/277-LEDX** 250 watt max capacity, 120 or 277 VAC 60Hz, 0-10V Dimmable

***SHUNT REQUIRED FOR USE WITH ATHENA AND CASAMBI CONTROLS, CONSULT FACTORY FOR DETAILS.**

ZERO-SIGHTLINE MILLWORK ROUTER TOOL GUIDE

Required for zero-sightline millwork installations. Factory recommends qty. 2 per order.

CMHS-RTG Router Tool Guide

MONOPOINT CM2 HANG STRAIGHT

PERFORMANCE - 3000K

LUMEN PACKAGE	WATTAGE	10° OPTIC SOFT FOCUS LENS		15° OPTIC SOFT FOCUS LENS		20° OPTIC SOFT FOCUS LENS		25° OPTIC SOFT FOCUS LENS		40° OPTIC SOFT FOCUS LENS		60° OPTIC SOFT FOCUS LENS	
		DELIVERED	LPW	DELIVERED	LPW	DELIVERED	LPW	DELIVERED	LPW	DELIVERED	LPW	DELIVERED	LPW
80S11A	11	613	55	1143	104	1216	111	1202	109	1124	102	949	86
80S17A	17	828	49	1750	103	1843	108	1823	107	1690	99	1440	85
80S28B	28	-	-	2571	92	2756	98	2694	96	2529	90	2072	74
90S11A	11	528	48	982	89	1045	95	1033	94	966	88	815	74
90S17A	17	714	42	1503	88	1583	91	1566	92	1452	85	1237	73
90S28B	28	-	-	2209	79	2368	85	2314	83	2193	78	1780	64
97S11A	11	456	41	862	78	918	83	907	82	848	77	716	65
97S17A	17	616	36	1320	78	1390	82	1375	81	1275	75	1086	64
97S28B	28	-	-	1939	69	2079	74	2032	73	1908	68	1563	56
90W18A (2700K-1800K)	18	-	-	-	-	1140	63	1128	63	1044	58	915	51
90W18A (3000K-1800K)	18	-	-	-	-	1128	63	1126	63	1063	59	926	51
90T28A (4000K-1800K)	28	-	-	1972	70	1995	71	1971	70	1837	66	1655	59
90T28A (5000K-2700K)	28	-	-	1954	70	1977	71	1953	70	1820	65	1640	59

TITLE 24 JA8-2022 INDICATED BY SHADING

UNIFIED GLARE RATING

10° OPTIC SOFT FOCUS LENS	15° OPTIC SOFT FOCUS LENS	20° OPTIC SOFT FOCUS LENS	25° OPTIC SOFT FOCUS LENS	40° OPTIC SOFT FOCUS LENS	60° OPTIC SOFT FOCUS LENS
>19	<13	<13	<13	<13	<16

MEDIA LIGHT LOSS MULTIPLIER

MEDIA	LIGHT LOSS FACTOR
No Lens	1.05
CGL	1.00
SFL	1.00
FGL	0.85
FSFL	0.82
FLSL	0.78
HCL	0.75
SFL W/ HCL	0.68
FGL W/ HCL	0.47

OUTPUT MULTIPLIER

CCT	CCT SCALE
2400K	0.85
2700K	0.97
3000K	1.000
3500K	1.03
4000K	1.08

TUNABLE WHITE MULTIPLIER

CCT	5000K-2700K	4000K-1800K
5000K	1.16	-
4000K	1.08	1.14
3500K	1.04	1.07
3000K	1.00	1.00
2700K	0.96	0.92
2400K	-	0.84
1800K	-	0.69

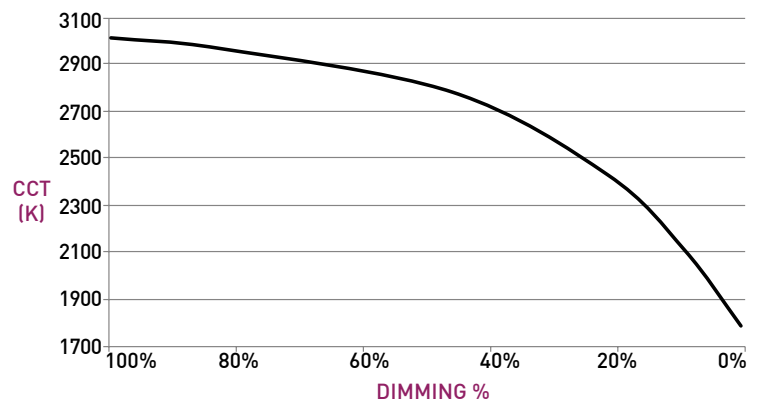
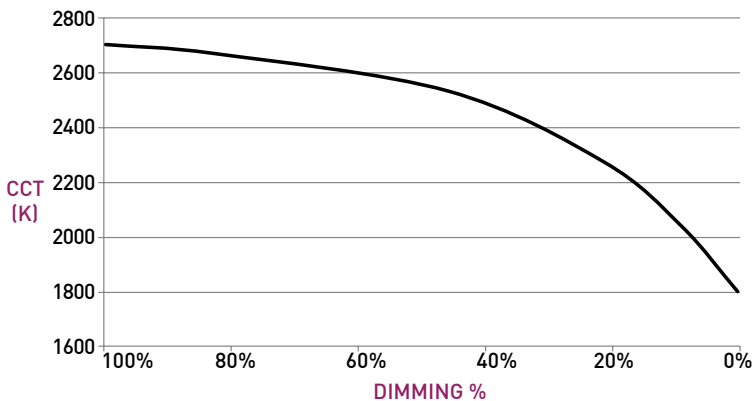
WARM DIM PERFORMANCE - SOFT FOCUS LENS - 20° OPTIC

INCANDESCENT DIMMING PROFILE

90W18AL 2700K - 1800K	Full on 100%	Dimmed to 80%	Dimmed to 70%	Dimmed to 50%	Dimmed to 20%	Dimmed to 10%	Dimmed to 2%
CCT (K)	2700	2650	2620	2520	2180	1950	1800
Light Output (lm)	1128	902	790	564	226	113	23
Power (W)	18	14.4	12.6	9	3.6	1.8	0.36
Efficacy (LPW)	63	63	63	63	63	63	63

HALOGEN WARM DIM PROFILE

90W18AD 3000K - 1800K	Full on 100%	Dimmed to 80%	Dimmed to 70%	Dimmed to 50%	Dimmed to 20%	Dimmed to 10%	Dimmed to 2%
CCT (K)	3000	2950	2920	2775	2375	2000	1800
Light Output (lm)	1140	912	798	570	228	114	23
Power (W)	18	14.4	12.6	9	3.6	1.8	0.36
Efficacy (LPW)	62	62	62	62	62	62	62

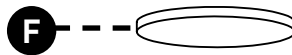
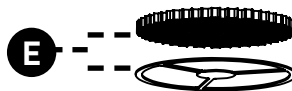
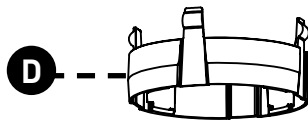
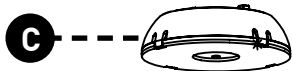
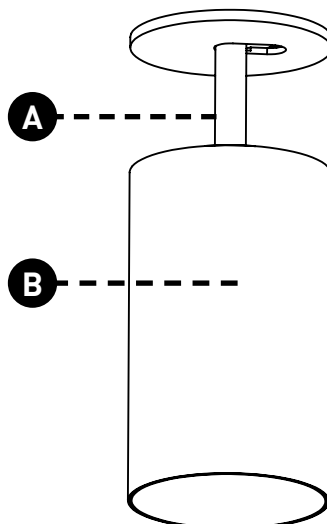
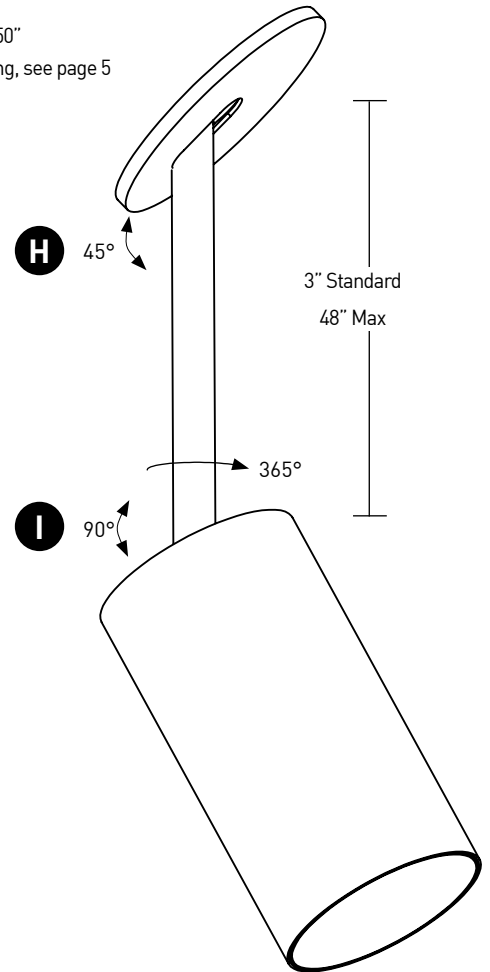
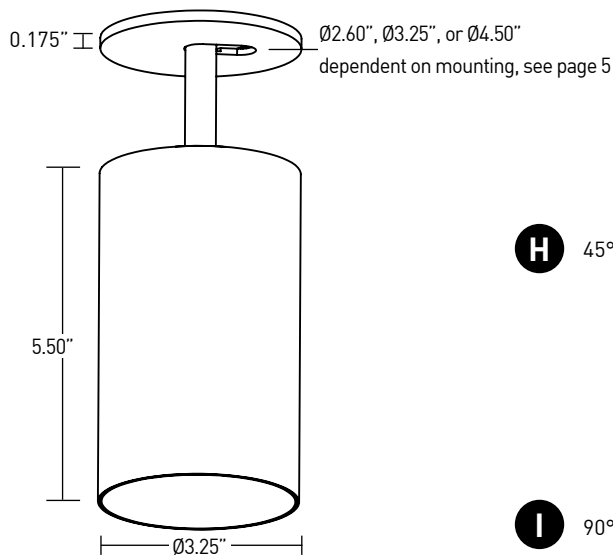


MONOPOINT CM2 HANG STRAIGHT

MONOPOINT

- A STEM**
Standard length is 3", also available in 24" and 48" lengths. All lengths excepts 3" are field cuttable. Powdercoat finishes standard, consult factory for Alumina finishes.
- B BODY**
Available in powdercoat and Alumina finishes. Power supply integrated into fixture body.
- C OPTICS**
Robust light engine with optimized optic pairing integrates Reflection, Refraction, and TIR offering 10°, 15°, 20°, 25°, 40° & 60° beams.
- D LENS RETAINER**
Accepts 2 media devices.
- E 10° FIELD REDUCER**
Included with 10° optic. Reduces field angle by 30%.
- F MEDIA**
Soft Focus Lens standard. Wet location media sealed in place.
- G BAFFLE**
Baffle minimizes aperture glare and conceals view into fixture. Powdercoat finishes standard, consult factory for Alumina finishes.
- H HANG STRAIGHT CANOPY**
Features hidden ball joint that accomodates installations on up to 12/12 (45°) sloped ceilings.
- I ADJUSTABILITY**
Features locking 90° tilt and 365° rotation. Stem features 45° tilt to accommodate up to 12/12 slopes.

DIMENSIONS / DRAWINGS



MONOPOINT CM2 HANG STRAIGHT

MOUNTING

IMPORTANT: Fixture cannot be installed with pancake junction boxes.

J JBMP

Mounting plate (concealed) for standard 4" square or 4" 4/0 junction boxes. To be installed during rough-in prior to substrate. Features minimalist 3.25" diameter canopy

Part Number - CMHS-JBMP

K ZERO-SIGHTLINE DRYWALL

Provided with mud-in appliqué that mounts to standard 4" 4/0 junction box. Allows fixture canopy to be recessed into ceiling for a flush or zero-sightline aesthetic. Standard plaster stop thickness of 1/16". Not recommended for stucco applications.

Part Number - DLA-APP-CMHS

L REMODEL / FLANGE OVERLAY

Provided with oversized canopy and mounting plate for standard 4" square or 4" 4/0 junction boxes. Ideal for existing applications and features oversized 4.5" canopy to cover standard 4" octagon box cutout.

Part Number - CMHS-SMK

M ZERO-SIGHTLINE MILLWORK

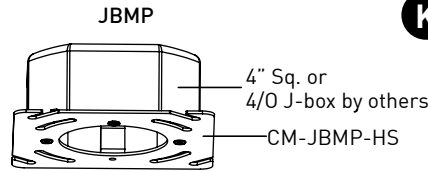
Mounting plate (concealed) for standard 4" square or 4" 4/0 junction boxes. To be installed during rough-in prior to substrate. Router guide, specified separately, required to make surface bore allowing fixture canopy to be recessed into ceiling for a flush or zero-sightline aesthetic.

Part Number - CMHS-JBMP

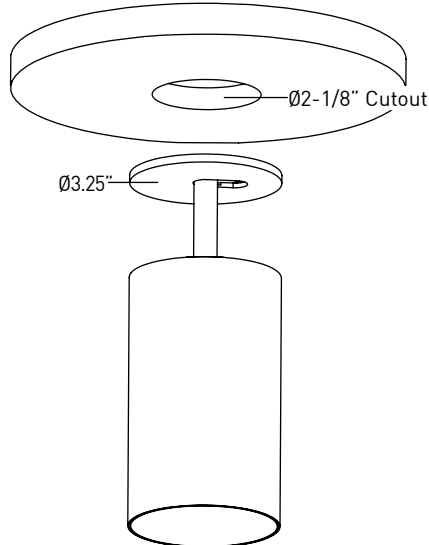
Router Guide Part Number - CMHS-RTG

DIMENSIONS / DRAWINGS

J

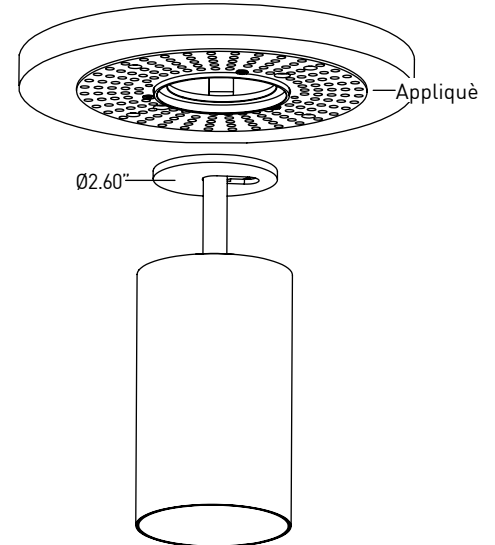
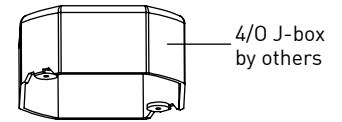


INSTALL JBMP BEFORE CEILING



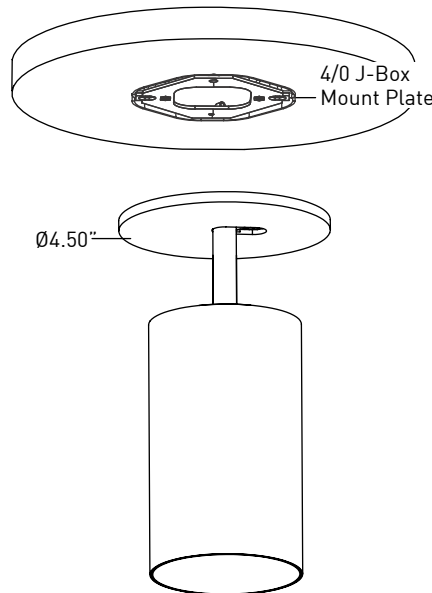
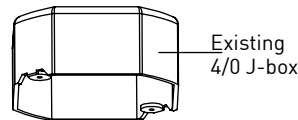
K

ZERO-SIGHTLINE DRYWALL



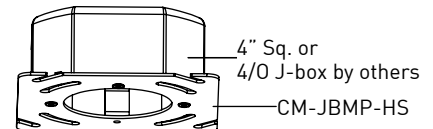
L

REMODEL / FLANGE OVERLAY

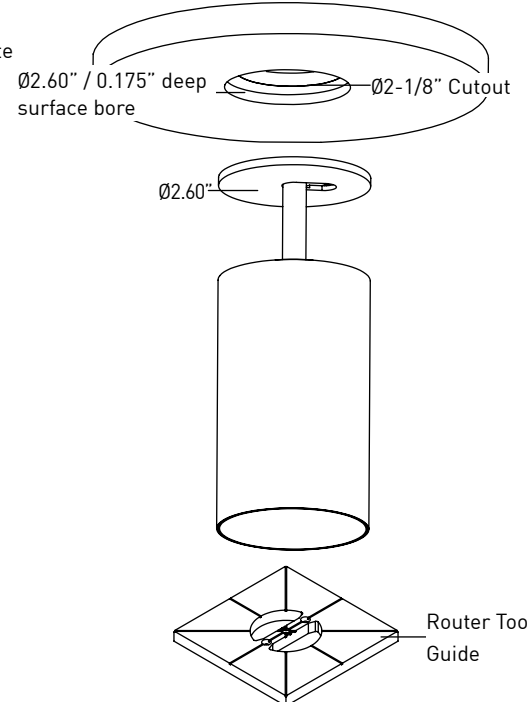


M

ZERO-SIGHTLINE MILLWORK



INSTALL JBMP BEFORE CEILING



MONOPOINT CM2 HANG STRAIGHT

REMOTE POWER SUPPLY

Q Remote power supply provides additional driver options. See page 7 for maximum allowable wiring distance. Must be installed in an accessible location.

P ATHENA / CASAMBI CONTROL
Controls integrated into remote driver assembly. All equipment is serviceable.

Athena Model Numbers: A-WN-D01-RF-BL & DFC-OEM-DBI

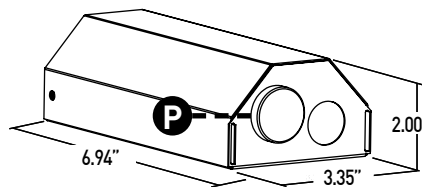
Casambi Model Number: BT-S1E1-5400

Q ATHENA / CASAMBI EM SHUNT
Included with drivers specified as ASR, ATR, CSR, or CTR. One required for each wireless EM fixture, requires class 2 control wiring between fixture and shunt. Features integrated test switch.

Model Number: PS-RMT-SHUNT

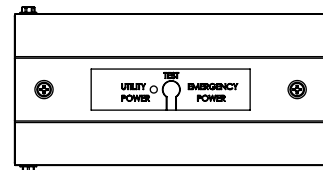
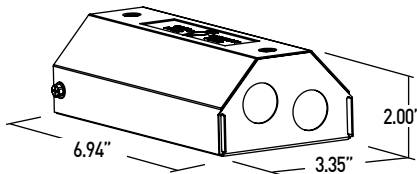
DIMENSIONS / DRAWINGS

Q



Q

ATHENA / CASAMBI
EM SHUNT



MONOPOINT CM2 HANG STRAIGHT

TECHNICAL

CONSTRUCTION

Monopoint: Machined aluminum body; painted finishes are granulated powder coat; Alumina finishes are anodized aluminum.

Remote Power Supply: 22 Gauge galvanized steel.

Appliqué: Machined Aluminum

STATIC WHITE LED

2-step MacAdam ellipse LED module available in 80+, 90+ and 97+ CRI configurations in color temperatures of 2700K, 3000K, 3500K and 4000K. 3-step MacAdam ellipse LED module available in 90+ CRI configurations in color temperature of 2400K. Average rated lamp life of 50,000 hours.

WARM DIM LED

3-step MacAdam ellipse warm dim LED module available in 90+ CRI configuration. 3000K or 2700K at full brightness, warming to 1800K at full dim. Average rated lamp life of 50,000 hours.

TUNABLE WHITE LED

3-step MacAdam ellipse tunable white LED module available in 90+ CRI configuration. Features tuning ranges of 1800K to 4000K and 2700K to 5000K. Average rated lamp life of 50,000 hours.

POWER SUPPLY PERFORMANCE AND DIMMING INFORMATION

Power Supply	PHASE		ECO		0-10V					DALI-2	ATHENA		CASAMBI	
	CE/RE	L2	LH	LP	CA/RA	SG	SN	EG	EN	ED	AS	AT	CS	CT
Minimum °C	-20 °C	0 °C	0 °C	0 °C	-20 °C	-20 °C	-20 °C	-20 °C	-20 °C	-20 °C	-20 °C	-20 °C	-20 °C	-20 °C
Maximum °C	40 °C	40 °C	40 °C	40 °C	40 °C	40 °C	40 °C	40 °C	40 °C	40 °C	40 °C	40 °C	40 °C	40 °C
Dimming %	2.0%	1.0%	1.0%	0.1%	2.0%	1.0%	1.0%	0.1%	0.1%	0.1%	0.1%	0.1%	0.1%	0.1%

Note: For L2, LH, LP, SG, SN, EG and EN drivers consult chart on page 8 to confirm appropriate dimming curve for compatibility with selected control.

MAXIMUM ALLOWABLE REMOTE DRIVER WIRING DISTANCES

DRIVER	WIRE AWG				
	12	14	16	18	20
RA, RE	-	164'	105'	66'	40'
SG, SN	285'	180'	113'	71'	45'
L2, LH, LP	60'	40'	25'	15'	-
EG, EN, ED, AS, AT, CS, CT	-	-	118'	72'	46'

LISTING

cTUVus listed to UL1598 standard for Dry / Damp locations.

Title 24 JA8-2022 Listed. NEMA 410 Compliant.

DECLARE

LBC Red List Approved.

BUY AMERICA ACT

All CM2 Hang Straight fixtures are BAA compliant.

LIMITED WARRANTY

Manufacturer's Limited Warranty guarantees product(s) listed to be free from defects in material and workmanship under normal use and service for 1-year. LED and power supplies are warranted to operate with 70% of original flux and remain within a range of 3 duv for a period of 5-years.

10-year Lutron Advantage limited warranty available on Lutron equipped systems. Warranty period begins from the date of shipment by Seller.

[Consult website for full warranty terms and conditions.](#)

CHANGE LOG

1.02/13/2024: ADDED TUNABLE WHITE OFFERING.

2.03/18/2024: UPDATED 10 DEGREE NARROW BEAM TO UTILIZE FILED REDUCER.

MONOPOINT CM2 HANG STRAIGHT

DIMMING COMPATABILITY

PHILIPS DRIVER COMPATIBILITY

Power supply SG Manufacturer	Family/Model #
Lutron Electronics	DVTV plus PP-DV
Lutron Electronics	DVSCTV plus PP-DV
Lutron Electronics	DVSTV
Lutron Electronics	DVSCSTV
Lutron Electronics	QSGRJ-XP plus GRX-TVI
Lutron Electronics	QSGRJ-XE plus GRX-TVI
Lutron Electronics	QSGR-XE plus GRX-TVI
Lutron Electronics	NFTV plus PP-DV
Lutron Electronics	NTSTV
Lutron Electronics	RMJ-5T
Lutron Electronics	RMJS-8T
Lutron Electronics	FCJS-010
Leviton	IllumaTch IP7 series
Philips	Sunrise - SR1200ZTUNV

LUTRON DRIVER COMPATIBILITY

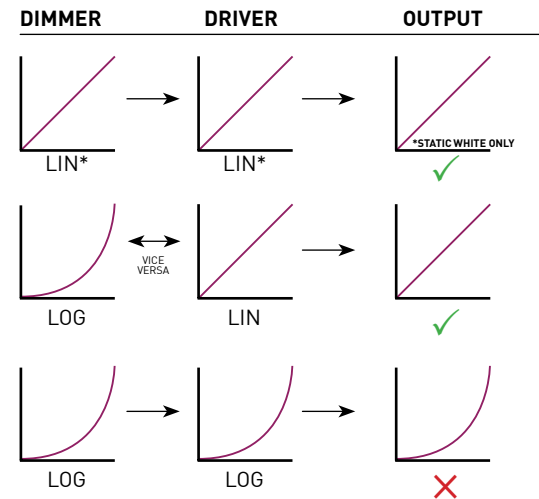
Power supply L2 Lutron Product Family	Part No.
Maestro WirelessR 600 W dimmer	MRF2-6ND-120-
Maestro WirelessR 1000 W dimmer	MRF2-10ND-120-
Caséta® Wireless Pro 1000 W dimmer	PD-10NXD-
GRAFIK T™ CL® dimmer	GT-250M-GTJ-250M-
HomeWorks® QS adaptive dimmer	HQRD-6NA-
HomeWorks® QS 600 W dimmer	HQRD-6ND-
HomeWorks® QS 1000 W dimmer	HQRD-10ND-
RadioRA® 2 adaptive dimmer	RRD-6NA-
RadioRA® 2 1000 W dimmer	RRD-10ND
myRoom™ DIN power module	MQSE-4A1-D
HomeWorks® QS DIN power module	LQSE-4A1-D
HomeWorks® QS wallbox power module	HQRJ-WPM-6D-120
HomeWorks® wallbox power module	HWI-WPM-6D-120
GRAFIK Eye® QS control unit	QSGR-, QSGRJ-
GRAFIK Eye® 3000 control unit	GRX-3100-GRX-3500-
RPM-4U module (LCP, HomeWorks® QS, GRAFIK Systems™, Quantum®)	HW-RPM-4U-120 LP-RPM-4U-120
RPM-4A module (LCP, HomeWorks® QS, GRAFIK Systems™, Quantum®)	HW-RPM-4A-120, LP-RPM-4A-120
GP dimming panels	Various
Ariadni CL 250W dimmer	AYCL-253P-
Diva CL 250W dimmer	DVCL-253P-DCSCCL-253P-
Nova T CL 250W dimmer	NTCL-250-
Power supply LH / LP Lutron Product Family	Part No.
PowPak Dimming Modules	RMJ-ECO32-DV-B
PowPak Dimming Modules	FCJ/FCJS-ECO
Energi Savr Nodes	QSN-1ECO-S
GRAFIK Eye QS control unit	QSN-2ECO-S
Homeworks QS control unit	QSGRJ- _E (wireless) QSGR- _E
Quantum Hub	QP2-__ 2C
Quantum Hub	QP2-__ 4C
Quantum Hub	QP2-__ 6C
Quantum Hub	QP2-__ 8C
Homeworks QS power module	LQSE-2ECO-D
myRoom Plus power module	



eldoLED DRIVER COMPATIBILITY

Power supply EG Manufacturer	Family/Model #
Busch-Jaeger	2112U-101
Jung	240-10
Leviton Lighting Controls	IP710-DLX
Lightolier Controls	ZP600FAM120
Merten	5729
Pass & Seymour	CD4FB-W
The Watt Stopper	DCLV1
Synergy	ISD BC
Crestron®	GLX-DIMFLV8
Crestron®	GLXP-DIMFLV8
Crestron®	GLPAC-DIMFLV4-*
Crestron®	GLPAC-DIMFLV8-*
Crestron®	GLPP-DIMFLVEX-PM
Crestron®	GLPP-1DIMFLV2EX-PM
Crestron®	GLPP-1DIMFLV3EX-PM
Crestron®	DIN-A08
Crestron®	DIN-4DIMFLV4
Crestron®	CLS-EXP-DIMFLV
Crestron®	CLCI-1DIMFLV2EX
Power supply EN Manufacturer	Family/Model #
Lutron Electronics	Nova T® - NTFTV
Lutron Electronics	Diva® - DVTV
Lutron Electronics	Nova® - NFTV
Lutron Electronics	GrafixEye® GRX-TVI w GRX3503
Lutron Electronics	Energy Savr Node™ - QSN-4T16-S
Lutron Electronics	TVM2 Module
Sensor Switch	nI0 EZ
ABB	SD/S 2.16.1

ANALOG DRIVERS AND DIMMERS



LIN = LINEAR
LOG = LOGARITHMIC
*LIN-TO-LIN NOT COMPATIBLE FOR WARM-DIM