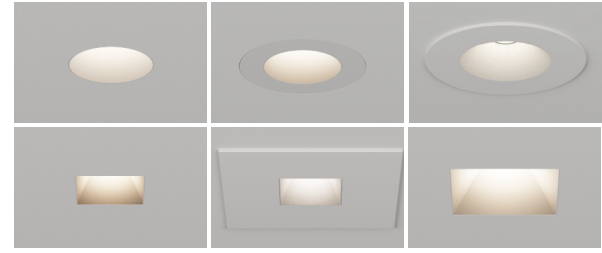


1 SERIES ADJUSTABLE

- Max output of 908Lm at 80+ CRI, 783Lm at 90+ CRI
- Available in miniature 1" and 1.6" aperture downlights, installed as trimless, flush, or flange overlay
- Easy to use 35° toolless tilt lockable with a button, smooth 365° rotation

PROJECT NAME:	TYPE:
---------------	-------



ORDERING INFORMATION - FIXTURE



JA8-2022 COMPLIANCE INDICATED BY SHADING

TRIM	RATING	TYPE	FINISH OUT	EXTERIOR FINISH	INTERIOR FINISH	CRI	WATTAGE	CCT	OPTIC (UGR)	MEDIA	INSTALL TYPE	CEILING THICKNESS	DRIVER
		A										1	
IRP 1" Round ISP 1" Square IRS 1.6" Round Expanded ISS 1.6" Square Expanded	1 IP20 Dry/Damp 2 IP64 Wet	A 35° Tilt Adjustable	T Trimless F Flange Overlay G Zero Sightline Gypsum* M Zero Sightline Millwork*	TRIMLESS TG Trimless Gypsum* AG Satin Silver AU Cashmere Gold TM Trimless Millwork* POWDERCOAT WH White AG Satin Silver AU Cashmere Gold AB Architectural Bronze BB Burnt Bronze BK Black SB Specular Black PR Primer CF Custom Finish* ALUMINA 01 Brushed Obsidian 02 Matte Obsidian 03 Brushed Dark Patinated Bronze 04 Matte Dark Patinated Bronze 05 Brushed Aged Aluminum 06 Matte Aged Aluminum 07 Brushed Cast Brass 08 Matte Cast Brass 09 Brushed Light Patinated Bronze 10 Matte Light Patinated Bronze	POWDERCOAT WH White AG Satin Silver AU Cashmere Gold AB Architectural Bronze BB Burnt Bronze BK Black SB Specular Black PR Primer CF Custom Finish* ALUMINA *Brushed finishes only available for round baffles 01 Brushed Dark Patinated Bronze* 02 Matte Dark Patinated Bronze 03 Brushed Aged Aluminum* 04 Matte Aged Aluminum 05 Brushed Cast Brass* 06 Matte Cast Brass 07 Brushed Light Patinated Bronze* 08 Matte Light Patinated Bronze 09 Brushed Light Patinated Bronze 10 Matte Light Patinated Bronze FINISH IMAGES ON PAGE 2	80S 80+ CRI 90S 90+ CRI 95S 95+ CRI 90L 90+ CRI	1RS/ISS 06C 6W, 391 Lm 11C 11W, 645 Lm 15C 15W, 908 Lm 11D 11W 15D 15W Incandescent Profile 11D - 345 Lm 15D - 454 Lm ----- Halogen Profile 11D - 360 Lm 15D - 485 Lm	24 2400K* 30 3000K 40 4000K WL 2700K-1800K WD 3000K-1800K	20 20° 30 30° 40 40° 40 40°	NL No Lens 01 Clear Media* 02 Soft Focus Media* 03 Warm Dim Diffusion Media*	IC INTEGRAL DRIVER AT IC, Airtight CP CCEA Chicago Plenum REMODEL DRIVER IR IC, Remote AR IC, Airtight, Remote CR CCEA Chicago Plenum, Remote REMODEL RM Remodel* RR Remote Driver Remodel*	1 0.50" - 1.50"	INTEGRAL / REMOTE / REMODEL PH1 Forward / Reverse Phase, 2%, 120V SG3 eldoLED, ECOdrive 1%, 0-10V, LOG, 120V-277V EG1 eldoLED, SOLOdrive 0.1% 0-10V, LOG, 120V-277V ED1 eldoLED, SOLOdrive 0.1% DALI-2, LOG, 120V-277V MX2 0.1% DMX, LOG, 120V-277V* AS1 Athena Control eldoLED, SOLOdrive 0.1%, 120V-277V* REMOTE LP1 Lutron, Hi-Lume Premier Ecosystem 0.1% Fade to Black, 120V or 277V LX1 eldoLED, SOLOdrive 0.1% DMX, LOG, 120V-277V HUB Separate Remote Power Supply and Distribution Hub, Powers up to 6 Fixtures* BUD Combined Remote Power Distribution, Powers up to 6 Fixtures* LOW VOLTAGE SYSTEM LVS Low Voltage System* CONSULT FOR 0-10V LINEAR OR CASAMBI DRIVER OPTIONS

PART NUMBER NOTES

- Fixture ships as e.g., 1RE1ATTGWH90S15C3540NLIC1EG1
- Housing, driver, trim, and applique ship as one unit



1 SERIES ADJUSTABLE

DISTRIBUTED POWER ACCESSORIES

CONFIGURATION - REQUIRED FOR 'HUB' AND 'BUD' DRIVER SPECIFICATION

ASSEMBLY	QTY	WATTAGE	REMOTE DRIVER
HUB Separate Remote Power Supply and Distribution Hub	2X 2 Fixtures 3X 3 Fixtures 4X 4 Fixtures 5X 5 Fixtures 6X 6 Fixtures	06W 6 Watts 11W 11 Watts 15W 15 Watts	PH1 Forward/Reverse Phase, 2%, 120V SG5 eldoLED, ECOdrive 1%, 0-10V, LOG, 120V-277V EG1 eldoLED, SOL0drive 0.1% 0-10V, LOG, 120V-277V ED1 eldoLED, SOL0drive 0.1% DALI-2, LOG, 120V-277V AS1 Athena Control, eldoLED, SOL0drive, 0.1%, 120V-277V* *(Includes Athena Node. Extended lead time, consult factory)
BUD Combined Remote Power Distribution			

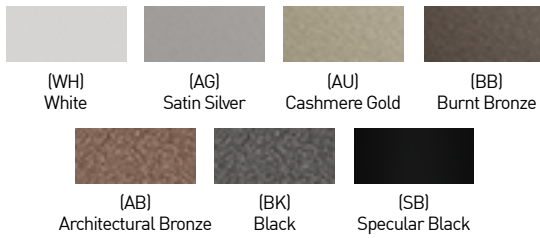
COMPATIBILITY BY DRIVER TYPE AND QUANTITY

DRIVER	HUB2X			HUB3X			HUB4X			HUB5X			HUB6X		
	06W	11W	15W	06W	11W	15W	06W	11W	15W	06W	11W	15W	06W	11W	15W
PH1	✓	✓	✓	✓	✓	✓	✓	✓	✓	✓	✓	✓	✓	✓	✓
SG5	✓	✓	✓	✓	✓	✓	✓	✓	✓	✓	✓	✓	✓	✓	✓
EG1 / ED1	✓	✓	✓	✓	✓	✓	✓	✓	✓	✓	✓	✓	✓	✓	✓
AS1	✓	✓	✓	✓	✓	✓	✓	✓	✓	✓	✓	✓	✓	✓	✓

PART NUMBER NOTES

- HUB and BUD assemblies are ordered as separate line item from fixtures. See pages 6-7 for additional details.

POWDERCOAT FINISHES



ALUMINA FINISHES BY LUCIFER LIGHTING™



ACCESSORIES

REPLACEMENT OPTICS

Interchangeable optics accessible through fixture aperture with baffle removal.

STATIC WHITE

- RO-17-A-20** 20° optic
- RO-17-A-30** 30° optic
- RO-17-A-40** 40° optic

WARM DIM

- RO-17-A-40-W** 40° optic

REPLACEMENT INSTALLATION TOOLS

One included with every six fixtures; not included with flange overlay.

- 01S-TOOL-BAFFLE-REMOVAL** Allows for baffle removal.

HANGER BAR EXTENDER KIT

Extends hanger bars from 24.0" to 46.0" maximum.

- FRX-HBE-46** Extender, Hanger Bar

REPLACEMENT BAFFLE ASSEMBLY (INCLUDES MEDIA)

ASSEMBLY	SHAPE	RATING	TYPE	BAFFLE	EXTERIOR FINISH	INTERIOR FINISH	MEDIA
RBA			A				
REPLACEMENT BAFFLE ASSEMBLY	1RP 1" Round	1 IP20 Dry/Damp 2 IP64 Wet* *(Baffle removal tool provided for aim and focus)	A Adjustable	T Trimless	TG Trimless Gypsum TM Trimless Millwork* *(1RS/1SS only)	WH White AG Satin Silver AU Cashmere Gold BB Burnt Bronze BK Black PR Primer CF Custom Finish* *(Consult Factory) **See page 1 for Alumina finish options	NL No Lens 01 Clear Glass Media 02 Soft Focus Media* *(Required for 20° Optic) 03 Warm Dim Diffusion Media* *(Required for Warm Dim)
	1RS 1.6" Square Expanded 1SS 1.6" Square Expanded			F Flange Overlay G Zero Sightline Gypsum* (1RP/1SP Only) M Zero Sightline Millwork* (1RP/1SP Only)	WH White AG Satin Silver AU Cashmere Gold AB Arch. Bronze BB Burnt Bronze BK Black PR Primer CF Custom Finish* *(Consult Factory) **See page 1 for Alumina finish options		

EMERGENCY LIGHTING - REMOTE MOUNT ONLY

During disruption of main power, emergency battery inverter provides temporary 120V or 277V to fixture.

- EMB-S-25-120/277-LEDX** 25 watt max capacity, 120 or 277 VAC 60Hz, Non-Dimmable
- EMB-S-100-120-LEDX** 100 watt max capacity, 120 VAC 60Hz, 0-10V Dimmable
- EMB-S-100-277-LEDX** 100 watt max capacity, 277 VAC 60Hz, 0-10V Dimmable
- EMB-S-250-120/277-LEDX** 250 watt max capacity, 120 or 277 VAC 60Hz, 0-10V Dimmable

*CONSULT FACTORY FOR USE WITH WIRELESS CONTROLS.

1 SERIES ADJUSTABLE

PERFORMANCE - 1RS / 1SS - 3000K

LUMEN PACKAGE	WATTS	20° OPTIC Soft Focus Media		30° OPTIC No Lens		40° OPTIC No Lens	
		DLVD	LPW	DLVD	LPW	DLVD	LPW
80S06C	6	198	33	339	57	445	74
80S11C	11	304	28	519	47	681	62
80S15C	15	405	27	693	46	908	61
90S06C	6	171	29	293	49	384	64
90S11C	11	262	24	448	41	587	53
90S15C	15	349	23	597	40	783	52
95S06C	6	123	21	211	35	276	46
95S11C	11	188	17	322	29	423	38
95S15C	15	251	17	430	29	564	38
90L11DL (27K-18K)	11	-	-	-	-	345	31
90L11DD (30K-18K)	11	-	-	-	-	360	33
90L15DL (27K-18K)	15	-	-	-	-	454	30
90L15DD (30K-18K)	15	-	-	-	-	485	32

1" BAFFLE OUTPUT MULTIPLIER

OPTIC	LIGHT LOSS FACTOR
20°	0.99
30°	0.99
40°	0.98

MEDIA LIGHT LOSS MULTIPLIER

MEDIA	LIGHT LOSS FACTOR
NO LENS	1.00
LENS	0.93

OUTPUT MULTIPLIER

CCT	CCT SCALE
2400K	0.89
2700K	0.98
3000K	1.00
3500K	1.09
4000K	1.14

FINISH MULTIPLIER

CCT	CCT SCALE
WHITE	1.00
BLACK	0.98
SPECULAR BLACK	0.98



JA8-2022 INDICATED BY SHADING

UNIFIED GLARE RATING

20° OPTIC	30° OPTIC	40° OPTIC
<13	<13	<10

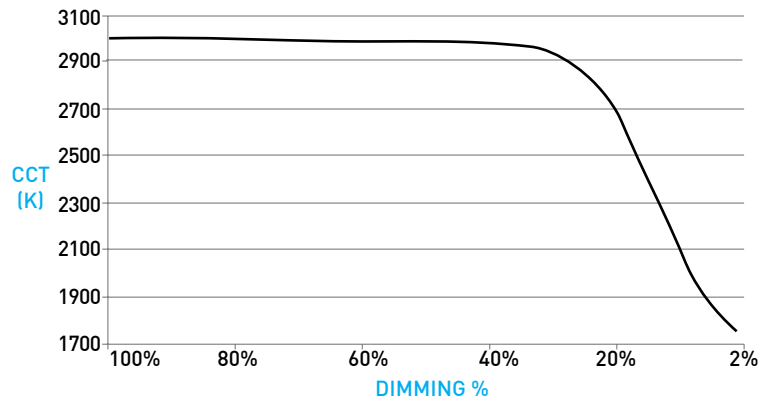
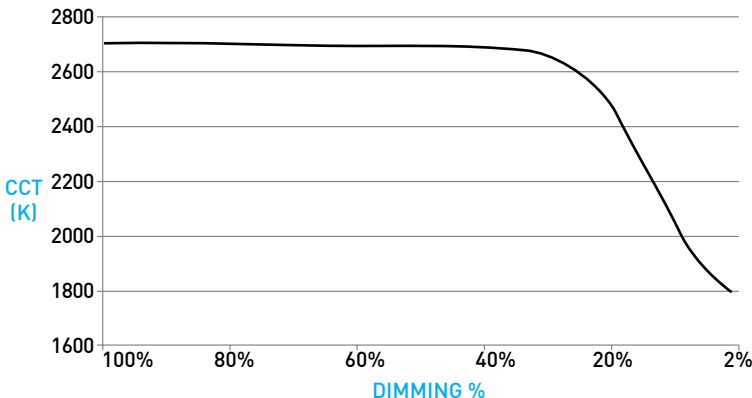
WARM DIM PERFORMANCE - 1RS / 1SS - 40° OPTIC

INCANDESCENT PROFILE - TRIMLESS

90L11DL 2700K - 1800K	Full on 100%	Dimmed to 80%	Dimmed to 70%	Dimmed to 50%	Dimmed to 20%	Dimmed to 10%	Dimmed to 2%
CCT (K)	2700K	2700K	2700K	2700K	2500K	1900K	1800K
Light Output (Lm)	345	276	241	172	69	34	7
Power (W)	11	8.8	7.7	5.5	2.2	1.1	0.2
Efficacy (LPW)	31	31	31	31	31	31	31
90L15DL 2700K - 1800K	Full on 100%	Dimmed to 80%	Dimmed to 70%	Dimmed to 50%	Dimmed to 20%	Dimmed to 10%	Dimmed to 2%
CCT (K)	2700K	2700K	2700K	2700K	2500K	1900K	1800K
Light Output (Lm)	454	363	318	227	91	45	9
Power (W)	15	12	10.5	7.5	3	1.5	0.3
Efficacy (LPW)	30	30	30	30	30	30	30

HALOGEN PROFILE - TRIMLESS

90L11DD 3000K - 1800K	Full on 100%	Dimmed to 80%	Dimmed to 70%	Dimmed to 50%	Dimmed to 20%	Dimmed to 10%	Dimmed to 2%
CCT (K)	3000K	3000K	3000K	3000K	3000K	2000K	1800K
Light Output (Lm)	360	288	252	180	72	36	7
Power (W)	11	8.8	7.7	5.5	2.2	1.1	0.2
Efficacy (LPW)	33	33	33	33	33	33	33
90L15DD 3000K - 1800K	Full on 100%	Dimmed to 80%	Dimmed to 70%	Dimmed to 50%	Dimmed to 20%	Dimmed to 10%	Dimmed to 2%
CCT (K)	3000K	3000K	3000K	3000K	3000K	2000K	1800K
Light Output (Lm)	485	388	340	243	97	49	10
Power (W)	15	12	10.5	7.5	3	1.5	0.3
Efficacy (LPW)	32	32	32	32	32	32	32



NOTE: LIN-TO-LIN 0-10V PAIRING NOT COMPATIBLE WITH WARM DIM.

1 SERIES ADJUSTABLE

DOWNLIGHT / HOUSING

A INTEGRAL DRIVER HOUSING

- For IC ceilings, also suitable for NC applications.
- Driver and LED are serviceable from below the ceiling.

Note: 1.0" Trimless baffle requires 1.6" square ceiling break for LED / Driver servicing.

- No setback from polycell spray foam insulation having max R-Value of 60 on all sides and top of housing.

B REMOTE DRIVER HOUSING

- For IC ceilings, also suitable for NC applications.
- Require remote driver.
- LED is serviceable from below the ceiling.

Note: 1.0" Trimless baffle requires 1.6" square ceiling break for LED servicing.

- No setback from polycell spray foam insulation having max R-Value of 60 on all sides and top of housing.

C ADJUSTABLE LIGHT ENGINE

Robust light engine with optimized optic pairing integrates Reflection, Refraction, and TIR offering 20°, 30°, and 40° beams.

Features integrated retention arms, toolless 35° tilt, and toolless 365° rotation.

HOUSING NOTES

- Power supply compartment and all splice connections may be serviced from room side.
- Consult factory for spacing requirements for any installations exceeding R-Value 60.
- Hanger bars extend from 14.0" to 24.0", but may be field cut to accommodate narrow stud spacing. Can be extended up to 46" maximum with FRX-HBE-46 kit.
- Hanger bars and brackets add 4.00" max to the overall dimension, but are exclusive of the setback requirements.
- Housings for both round and square trims feature a round aperture.

TILT PERFORMANCE

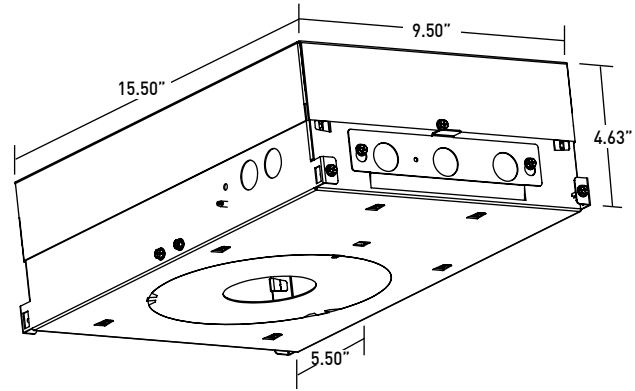
- All configurations feature max tilt without beam clipping through top of baffle aperture.

BEAM SPREAD	1.0" BAFFLE		1.6" BAFFLE	
	Max Tilt	Clipping	Max Tilt	Clipping
20°	35°	No	35°	No
30°	35°	No	35°	No
40°	35°	No	35°	No

DIMENSIONS / DRAWINGS

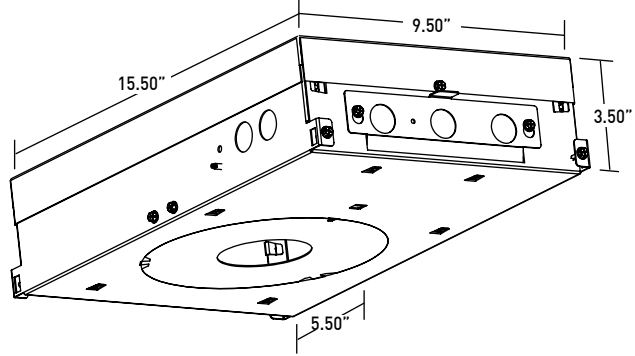
A

Integral Driver Housing

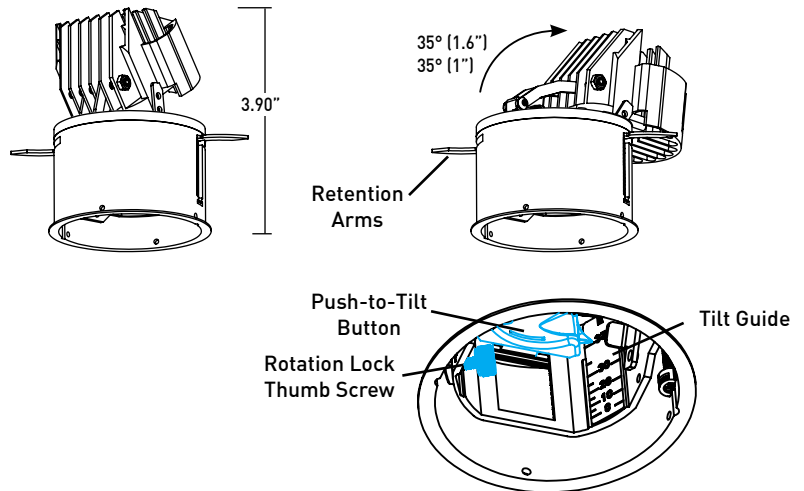


B

Remote Driver Housing



C

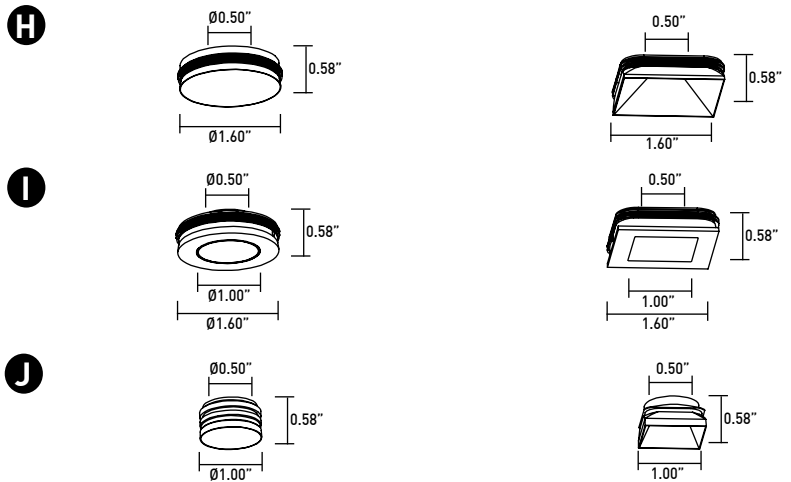
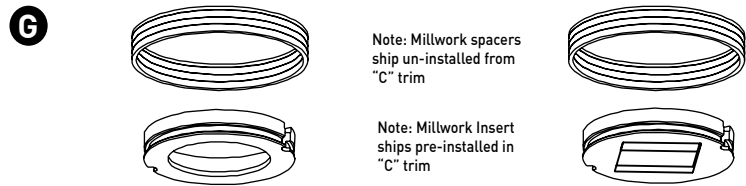
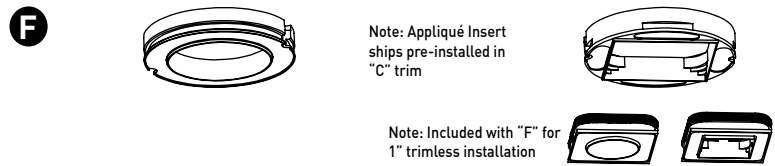
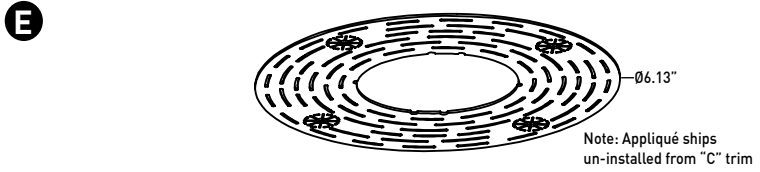
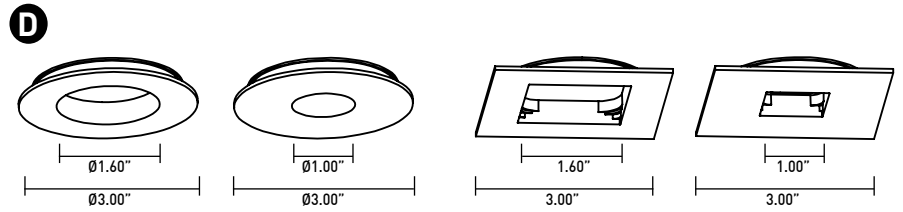


1 SERIES ADJUSTABLE

TRIM CONFIGURATIONS

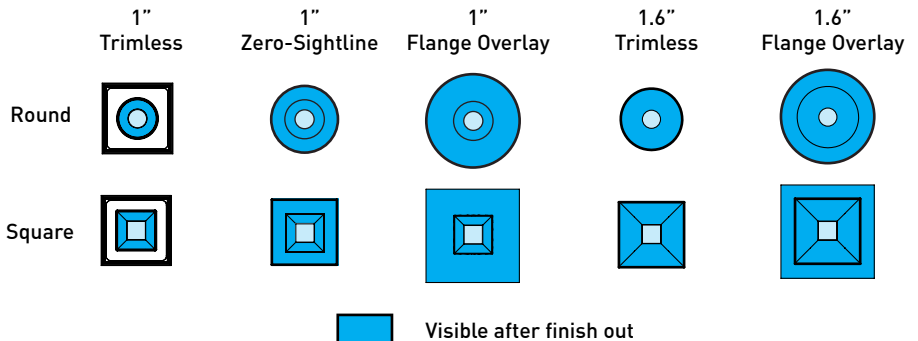
- D FLANGE OVERLAY**
Flange available in powdercoat and alumina finishes.
- E APPLIQUÉ**
Appliqué ships uninstalled from trim; installation screws not required. Not recommended for stucco applications.
- F APPLIQUÉ INSERT**
Ships pre-installed in trim and features a 0.06" plaster stop. Not recommended for stucco applications.
- G TRIMLESS MILLWORK INSERT AND SPACERS**
Installs totally flush with millwork; Insert ships pre-installed in trim No visible flange. Includes (1) 1/16" spacer and (5) 1/8" spacers.
- H 1.6" BAFFLE**
CNC-Milled removable baffle provides 45° glare cutoff. Minimizes aperture glare and conceals view into housing; includes gasket. No exterior finish, interior finish available in powdercoat and alumina finishes.
- I 1.0" ZERO-SIGHTLINE BAFFLE**
CNC-Milled removable baffle provides 45° glare cutoff. Minimizes aperture glare and conceals view into housing; includes gasket. Exterior faceplate available in powdercoat and alumina finishes; interior finish available in powdercoat and alumina finishes.
- J 1.0" FLANGE OVERLAY / TRIMLESS BAFFLE**
CNC-Milled baffle provides 45° glare cutoff. Minimizes aperture glare and conceals view into housing; includes gasket. No exterior finish, interior finish available in powdercoat and alumina finishes.
Note: Trimless baffle requires 1.6" square ceiling break for LED / Driver servicing.

DIMENSIONS / DRAWINGS



PARTS CONFIGURATION MATRIX

CONFIGURATION	PARTS
1.6" FLANGE OVERLAY	D, H
1.6" TRIMLESS GYPSUM	E, F, H
1.6" TRIMLESS MILLWORK	G, H
1.0" ZERO-SIGHTLINE GYPSUM	E, F, I
1.0" ZERO-SIGHTLINE MILLWORK	G, I
1.0" FLANGE OVERLAY	D, J
1.0" TRIMLESS GYPSUM	E, F, J



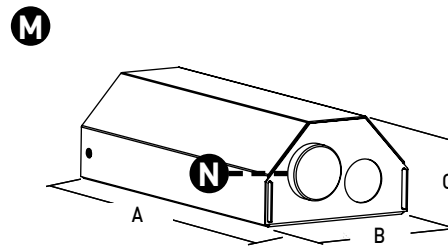
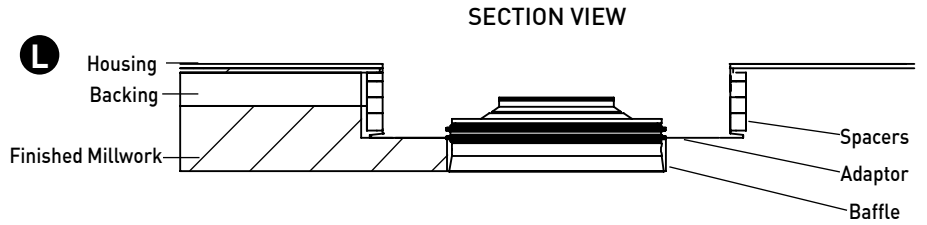
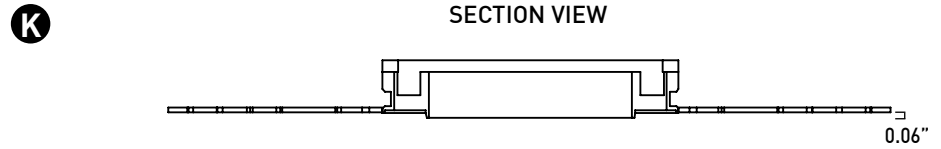
1 SERIES ADJUSTABLE

DOWNLIGHT / HOUSING

- K APPLIQUÉ DETAIL**
Appliqué for plaster floating directly to baffle.
- L MILLWORK DETAIL**
Trimless or Zero-sightline installation.
- M REMOTE POWER SUPPLY**
Provided with install Types "IR", "NR", "AR" and "CR". Remote power supply provides additional driver options. See page 10 for maximum allowable secondary run lengths between PS-RMT and fixture. Must be installed in an accessible location.
- N ATHENA CONTROL**
Controls integrated Remote driver assembly. All equipment is serviceable.

Athena Model Numbers: A-WN-D01-RF-BL

DIMENSIONS / DRAWINGS

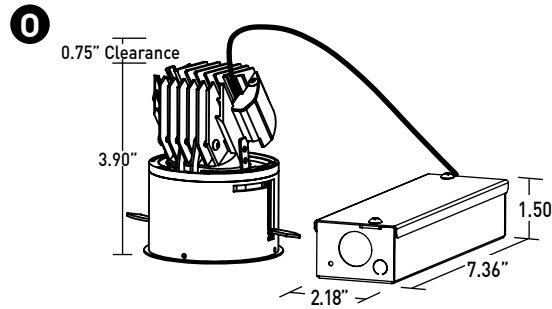


	A	B	C
PHASE / 0-10V / DALI / ECOSYSTEM	6.94"	3.35"	2.00"
ATHENA	8.10"	5.00"	2.00"

REMODEL

- O REMODEL WITH NON-IC TETHERED POWER SUPPLY**
 - Requires 2-3/4" cutout.
 - Tethered power supply with protected wiring between fixture and power supply.
 - Minimum 0.75" clearance from top of fixture.
 - Minimum setback from combustible and non-combustible materials of 6.61" radius from fixture centerline; minimum 3.00" from surfaces of power supply if not situated within above noted radius from fixture centerline.
 - Minimum additional 3.00" setback from insulation material with max R-Value 30 from any surface of downlight fixture assembly.
 - Minimum additional 6.00" setback from polycell spray foam insulation with max R-Value 60 from any surface of downlight fixture assembly.
 - Consult factory for spacing requirements for any installations exceeding R-Value 60.
 - Do not install in environments where ambient temperatures exceed 40°C (104°F).

DIMENSIONS / DRAWINGS



1 SERIES ADJUSTABLE

DISTRIBUTED POWER ACCESSORY

P HUB (SEPARATE COMPONENTS)

Included with "HUB" driver selection. Allows for multi-fixture power distribution from one remote power supply to a maximum of 6 fixtures. Connectable fixture quantity is specified in fixture part number on page 2. Hub base plate allows for structural mounting and wiring during rough-in. Wiring distances for HUB based on quantity featured in figure P.

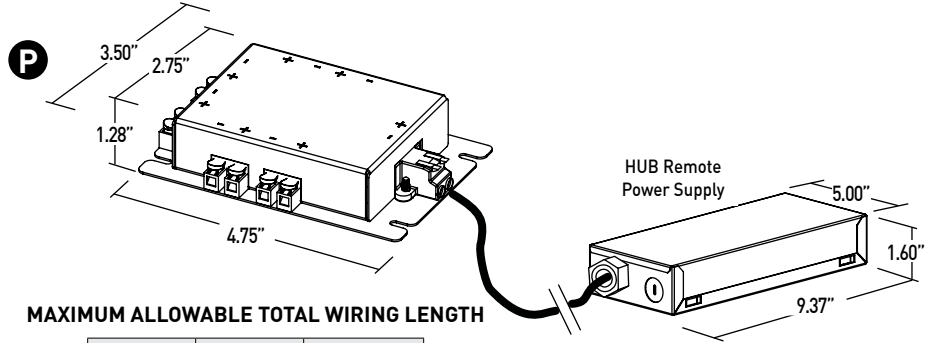
Model Number e.g.: HUB2X15W-PH1

Q BUD (COMBINED ASSEMBLY)

Included with "BUD" driver selection. Allows for multi-fixture power distribution from combined remote power distribution assembly to a maximum of 6 fixtures. Connectable fixture quantity is specified in fixture part number on page 2. BUD base plate allows for structural mounting and wiring during rough-in. Wiring distances for BUD based on quantity featured in figure Q.

Model Number e.g.: BUD4X11W-SG5

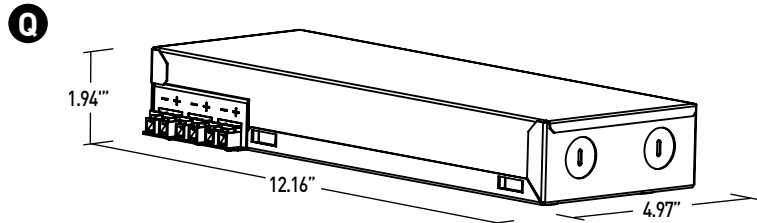
DIMENSIONS / DRAWINGS



MAXIMUM ALLOWABLE TOTAL WIRING LENGTH

DRIVER-TO-HUB AWG	HUB-TO-FIXTURE AWG	TOTAL LENGTH
18	18	150'
16	16	200'
14	14	250'
12	18	400'*
12	16	450'*
12	14	500'*

*Total length requires 250' 12AWG Driver-to-Hub wiring

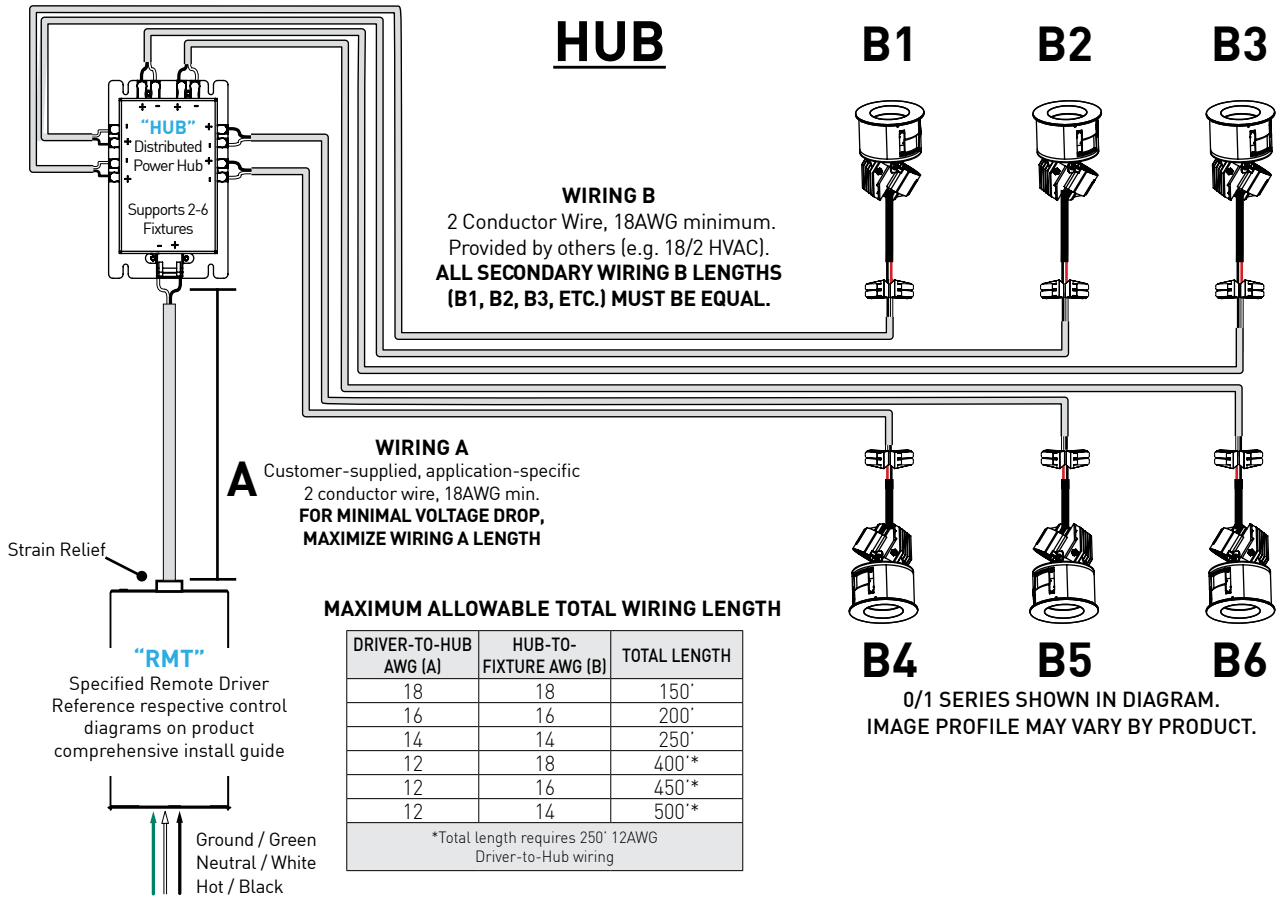


MAXIMUM ALLOWABLE TOTAL WIRING LENGTH

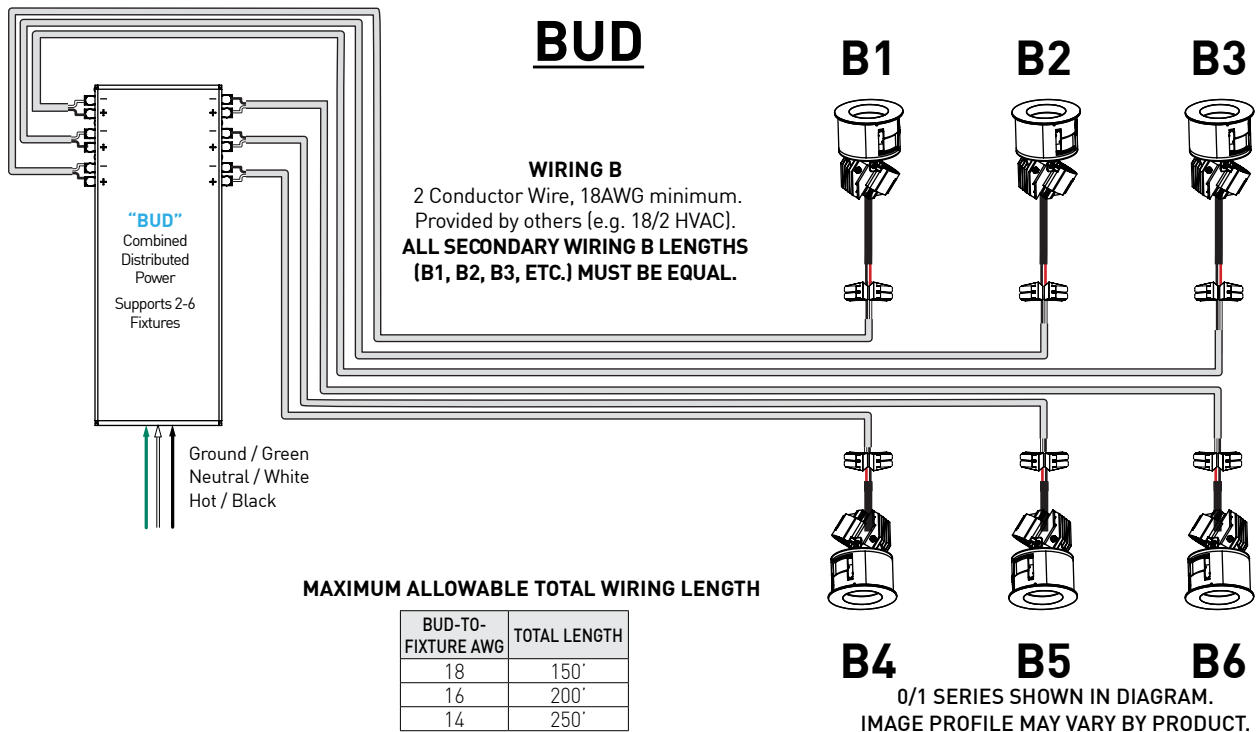
BUD-TO-FIXTURE AWG	TOTAL LENGTH
18	150'
16	200'
14	250'

1 SERIES ADJUSTABLE

HUB WIRING DETAILS



BUD WIRING DETAILS



1 SERIES ADJUSTABLE

LOW VOLTAGE SYSTEM (LVS) SPECIFICATION NOTES

- Customers are responsible for ensuring power supply drive current is set to correct values shown below in the drive current specifics section.
- Customers must ensure voltage range of the proposed power supply encompasses the fixtures complete Vf range, both maximum and minimum, and can be set to the required mA drive current. If assistance is required contact your manufacturers representative or the factory.
- Lucifer Lighting is not responsible for confirming dimming compatability between power supplies and control systems / dimmers.
- Lucifer Lighting will not ship fixtures with a power supply supplied by others inside the fixture.
- Consult power supply manufacturer for maximum remote wiring distances.
- Housing and Fixture feature 18 AWG wiring.
- Wiring connections are made in the splicing compartment using customer supplied connectors, ex. wire nuts, push-in connectors, or terminal blocks.
- LVS Housings and Fixtures supplied by Lucifer Lighing are UL 2108 Listed.

DRIVE CURRENT SPECIFICS

	80S / 90S / 95S			90L	
	06C	11C	15C	11D	15D
Minimum Vf	31	31	31	33	33
Maximum Vf	37	37	37	38	38
Current mA	150	250	350	250	350
Wattage W	5.0	8.5	11.8	8.9	12.5

1 SERIES ADJUSTABLE

TECHNICAL

CONSTRUCTION

Downlight: Painted finishes are granulated powder coat; Alumina finishes are anodized aluminum.

Housing: Aluminum and 22 Gauge galvanized steel. Forged aluminum heat-sink.

Remote Power Supply: 22 Gauge galvanized steel.

Appliqué: Aluminum base with 22 Gauge galvanized steel flange.

STATIC WHITE LED

2-step MacAdam ellipse LED module available in 80+, 90+ and 95+ CRI configurations in color temperatures of 2700K, 3000K, 3500K and 4000K. 3-step MacAdam ellipse LED module available in 90+ CRI configuration in color temperature of 2400K. Average rated lamp life: 50,000 hours. LED and driver assemblies are field-replaceable.

WARM DIM LED

3-step MacAdam ellipse warm dim LED module available in 90+ CRI configuration 3000K or 2700K at full brightness, warming to 1800K at full dim. Average rated lamp life of 50,000 hours. LED and driver assemblies are field-replaceable.

POWER SUPPLY PERFORMANCE AND DIMMING INFORMATION

	PHASE	0-10V		ECO	DALI-2	DMX		ATHENA
Power Supply	PH1	SG3	EG1	LP1	ED1	LX1	MX2	AS1
Minimum °C	-20 °C	-20 °C	-20 °C	0 °C	-20 °C	-20 °C	-40 °C	0 °C
Maximum °C	40 °C	40 °C	40 °C	40 °C	40 °C	40 °C	40 °C	40 °C
Dimming %	2.0%	1.0%	0.1%	0.1%	0.1%	0.1%	0.1%	0.1%

Note: For PH1, LP1, SG3, and EG1 drivers consult chart on page 11 to confirm appropriate dimming curve for compatibility with selected control.

MAXIMUM ALLOWABLE REMOTE DRIVER WIRING DISTANCES

DRIVER	WIRE AWG				
	12	14	16	18	20
PH1	285'	180'	113'	71'	45'
LP1	60'	40'	25'	15'	-
EG1, ED1, SG3, AS1, AD1, LX1	-	-	118'	72'	46'

LISTING

Fixtures listed to UL 1598 for Dry / Damp and Wet Locations, and are NEMA 410 compliant.

LVS designated fixtures are listed to UL 2108.

Install Types AT & AR are Title 24 JA8-2022 compliant.

Install Types CP & CR are CCEA certified.

BUY AMERICAN ACT / BUILD AMERICA BUT AMERICA

Buy American Act (BAA) and Build America Buy America (BABA) compliant.

WEIGHT

Housing with Integral Driver - 7 lbs max

Remote Driver - 1.4 lbs

LIMITED WARRANTY

Manufacturer's Limited Warranty guarantees product(s) listed to be free from defects in material and workmanship under normal use and service for 1-year. LED and power supplies are warranted to operate with 70% of original flux and remain within a range of 3 duv for a period of 5-years.

10-year Lutron Advantage limited warranty available on Lutron equipped systems. Warranty period begins from the date of shipment by Seller.

[Consult website for full warranty terms and conditions.](#)



1 SERIES ADJUSTABLE

DIMMING COMPATIBILITY

PHILIPS DRIVER COMPATIBILITY

Power supply PH1 Manufacturer	Family/Model #
Lutron Electronics	DV-600P
Lutron Electronics	DVELV-303P
Lutron Electronics	NTELV-600
Lutron Electronics	MAELV-600
Lutron Electronics	SELV-300P
Lutron Electronics	DVLV-600P
Lutron Electronics	NFTU-5A
Lutron Electronics	CTCL-153P
Lutron Electronics	GL-600H
Lutron Electronics	S-600P
Lutron Electronics	PHPM

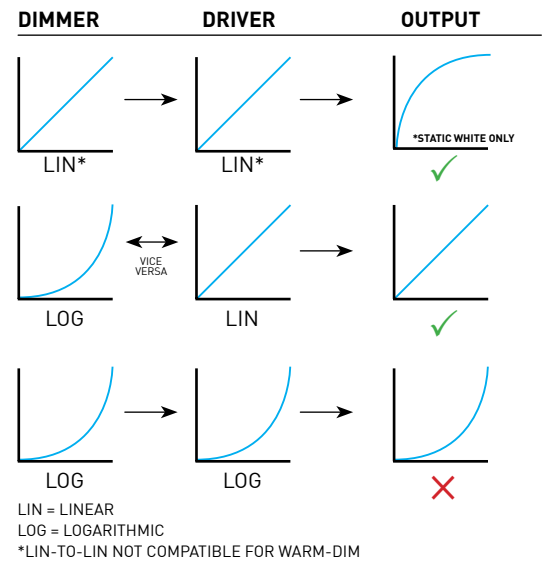
LUTRON DRIVER COMPATIBILITY

Power supply LP1 Lutron Product Family	Part No.
PowPak Dimming Modules	RMJ-EC032-DV-B
PowPak Dimming Modules	FCJ/FCJS-ECO
Energi Savr Nodes	QSN-1ECO-S
GRAFIK Eye QS control unit Homeworks QS control unit	QSN-2ECO-S
GRAFIK Eye QS control unit Homeworks QS control unit	QSGRJ- _E (wireless) QSGR- _E
Quantum Hub	QP2-__ _2C
Quantum Hub	QP2-__ _4C
Quantum Hub	QP2-__ _6C
Quantum Hub	QP2-__ _8C
Homeworks QS power module myRoom Plus power module	LQSE-2ECO-D



Power supply EG1 / SG3 Manufacturer	Family/Model #
Busch-Jaeger	2112U-101
Jung	240-10
Leviton Lighting Controls	IP710-DLX
Lightolier Controls	ZP600FAM120
Merten	5729
Pass & Seymour	CD4FB-W
The Watt Stopper	DCLV1
Synergy	ISD BC
Crestron®	GLX-DIMFLV8
Crestron®	GLXP-DIMFLV8
Crestron®	GLPAC-DIMFLV4-*
Crestron®	GLPAC-DIMFLV8-*
Crestron®	GLPP-DIMFLVEX-PM
Crestron®	GLPP-1DIMFLV2EX-PM
Crestron®	GLPP-1DIMFLV3EX-PM
Crestron®	DIN-A08
Crestron®	DIN-4DIMFLV4
Crestron®	CLS-EXP-DIMFLV
Crestron®	CLCI-1DIMFLV2EX

ANALOG DRIVERS AND DIMMERS



DMX DIMMING INFORMATION

- Fixtures do not ship pre-addressed; fixture addressing is completed by the installer or a commissioning contractor via RDM.
- All fixtures are RDM compatible.
- DMX Channel Count:
Static White / Warm Dim: 1
Tunable White: 2; Channel 1 Warm and Channel 2 Cool
- DMX run termination provided by others.
- DMX Connection Type: Pigtail
- DMX Color Scheme:
DMX+: Yellow
DMX-: Pink
DMX Shield: Orange
- Installation may require shielded cable if EMI is present.
- Fixture Default Mode: FULL ON
- Fixture Fail Mode: ON 10% DIMMED