

**QUICK
SHIP**



The Lucifer Lighting Quick Ship Program brings our most in-demand fixtures to your project faster. We've selected our most sought-after fixtures, finishes, and configurations and streamlined production guaranteed to you in just **5 days**.

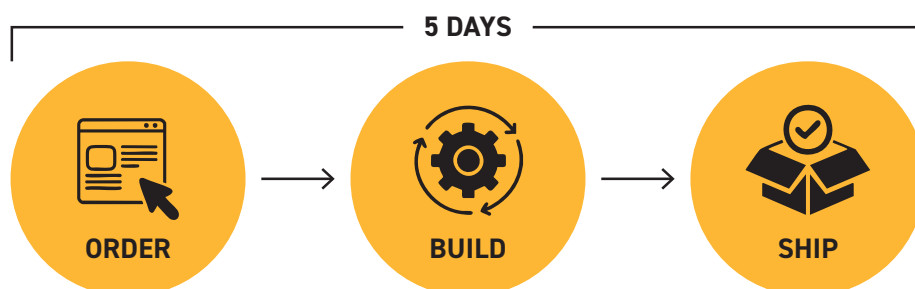


TERMS & CONDITIONS

- **Identification:** Program applies to product identified on individual spec sheet as "Quick Ship"
- **Lead Time:** Orders will have a 5-business day lead time. The lead time will begin the day after the PO is processed.
- **Quantity:** Up to 100 units per product family type allowed.
- **Identification:** Program applies to products identified on individual spec sheet as "Quick Ship (QS)."
- **Limit:** One QS order per project per two week period. Multiple QS Purchase Orders ("PO's") for the same project will not be accepted within a two week period.
- **Purchase Orders:**
 - PO must be received by 3pm CST.
 - QS items must be their own PO; cannot be combined with non-QS products.
 - Once order is processed it is non-cancelable, modifiable or returnable.
 - In order for the PO to be released, all complete and correct information needs to be submitted at time of PO (i.e. correct part numbers, job name, specifier, ship to address, etc.)
- **Distributor:** Must be in good credit standing. Any order received that is outside a distributor's approved credit limit is ineligible for Quick Ship.
- **Payment Timing:** For customers with payment before shipment credit terms, lead time will start once payment is received.
- **Shipping:** Must list a confirmed shipping address and shipping method.
- **Fees:** All standard fees apply (i.e. Minimum order fee and handling fees.)

ORDERING INSTRUCTIONS

- **Labeling:** The PO associated and the email subject line must each clearly begin with "Quick Ship."
- **Model Numbers:** All model numbers should be correct and include a "QS" suffix.
- **Configurator:** The configurator will include a QS section for fixtures available in the program.



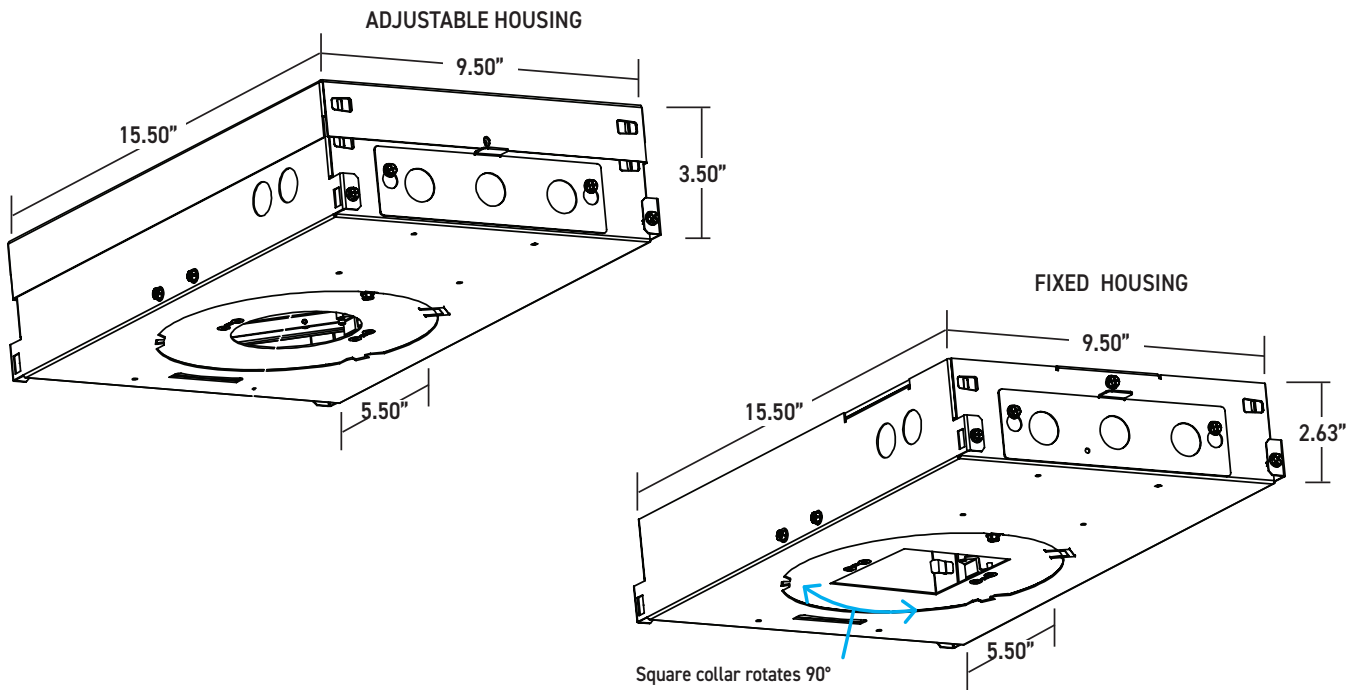
AVAILABLE PRODUCTS

Fraxion3

Lots of light in an under-the-radar profile with multiple design and installation options. A complete and minimalist product family perfect for shallow plenums, whether in a residential, office or retail space. Available for dry and wet locations.



FIXTURE SHAPE	RATING	TYPE	FINISH	BAFFLE FINISH	CRI	WATTS	CCT	OPTIC	MEDIA	CEILING THICKNESS	INSTALL TYPE	QS
Round Shallow	Wet	Fixed	White	White WH	90	11	2700K	40°	Soft Focus Lens	1 0.5" - 1.35"	Phase 0-10V Driver	Quick Ship
	Dry	Adj	Black	Black BK		15	3000K	60°				
			Trimless Plaster				3500K					





CONTACT INFORMATION

Lucifer Lighting Company
3750 North PanAm Expressway
San Antonio, TX 78219
Phone: +1 210 227 7329
Fax: +1 210 227 4967

