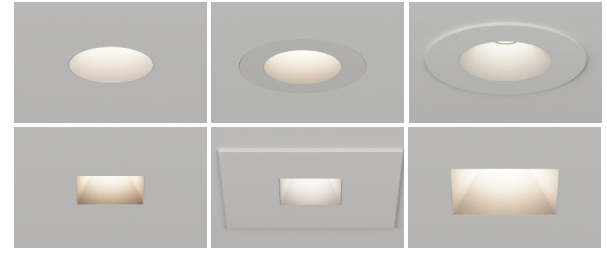


1 SERIES INT ADJUSTABLE

PROJECT NAME:	TYPE:
---------------	-------

- Max output of 908Lm at 80+ CRI, 783Lm at 90+ CRI
- Available in miniature 1" and 1.6" aperture downlights, installed as trimless, flush, or flange overlay
- Easy to use 35° toolless tilt lockable with a button, smooth 365° rotation



ORDERING INFORMATION - FIXTURE

TRIM	RATING	TYPE	FINISH OUT	EXTERIOR FINISH	INTERIOR FINISH	CRI	WATTAGE	CCT	OPTIC (UGR)	MEDIA	INSTALL TYPE	CEILING THICKNESS	DRIVER
		A									EX	1	
1RP 1SP 1RS 1SS	1 IP20 Dry/Damp 2 IP64 Wet	A35° Tilt Adjustable	T Trimless F Flange Overlay G Zero Sightline Gypsum* (1RP/1SP only)	TRIMLESS TG Trimless Gypsum* *(Required for "T" baffle) POWDERCOAT WH White AG Satin Silver AU Cashmere Gold AB Architectural Bronze BB Burnt Bronze BK Black SB Specular Black PR Primer CF Custom Finish* *(Consult Factory) ALUMINA *(Brushed finishes only available for round baffles) 01 Brushed Obsidian* 02 Matte Obsidian 03 Brushed Dark Patinated Bronze* 04 Matte Dark Patinated Bronze 05 Brushed Aged Aluminum 06 Matte Aged Aluminum 07 Brushed Cast Brass* 08 Matte Cast Brass 09 Brushed Light Patinated Bronze* 10 Matte Light Patinated Bronze FINISH IMAGES ON PAGE 2	POWDERCOAT WH White AG Satin Silver AU Cashmere Gold AB Architectural Bronze BB Burnt Bronze BK Black SB Specular Black PR Primer CF Custom Finish* *(Consult Factory) ALUMINA *(Brushed finishes only available for round baffles) 01 Brushed Obsidian* 02 Matte Obsidian 03 Brushed Dark Patinated Bronze* 04 Matte Dark Patinated Bronze 05 Brushed Aged Aluminum 06 Matte Aged Aluminum 07 Brushed Cast Brass* 08 Matte Cast Brass 09 Brushed Light Patinated Bronze* 10 Matte Light Patinated Bronze FINISH IMAGES ON PAGE 2	80S 80+ CRI 90S 90+ CRI 95S 95+ CRI 90L 90+ CRI	STATIC WHITE 1RS/1SS 06C 6W, 391 Lm 11C 11W, 645 Lm 15C 15W, 908 Lm WARM DIM 1RS/1SS 11D 11W 15D 15W Incandescent Profile 11D - 345 Lm 15D - 454 Lm Halogen Profile 11D - 360 Lm 15D - 485 Lm	24 2400K* 27 2700K 30 3000K 35 3500K 40 4000K WL 2700K-1800K WD 3000K-1800K	20 20° 30 30° 40 40° 40 40°	NL No Lens 01 Clear Media* *(Required for wet location) 02 Soft Focus Media* *(Required for 20° Optic) 03 Warm Dim Diffusion Media* *(Required for Warm Dim)	EX Export	1 13mm - 38mm	IG1 eldoLED, SOLDrive 0.1% 0-10V, LOG, 120V-277V ID1 eldoLED, SOLDrive 0.1% DALI-2, LOG, 120V-277V REMOTE HUB Separate Remote Power Supply and Distribution Hub, Powers up to 6 Fixtures* *(Requires further specification on page 2) BUD Combined Remote Power Distribution, Powers up to 6 Fixtures* *(Requires further specification on page 2) REMOTE DRIVERS NOT ACCESSIBLE THROUGH CEILING CUTOUT NO DRIVER NOD No Driver* *(See page 8 for specification information)

PART NUMBER NOTES

- Fixture ships as e.g., 1RE1ATTGWH90S15C3540NLEX1ID1
- Housing, driver, trim, and applique ship as one unit

1 SERIES INT ADJUSTABLE

DISTRIBUTED POWER ACCESSORIES

CONFIGURATION - REQUIRED FOR 'HUB' AND 'BUD' DRIVER SPECIFICATION

ASSEMBLY	QTY	WATTAGE	REMOTE DRIVER
HUB Separate Remote Power Supply and Distribution Hub	2X 2 Fixtures 3X 3 Fixtures 4X 4 Fixtures 5X 5 Fixtures 6X 6 Fixtures	06W 6 Watts 11W 11 Watts 15W 15 Watts	IG1 eldoLED, SOLOdrive 0.1%, 0-10V, LOG, 120V-277V ID1 eldoLED, SOLOdrive 0.1%, DALI-2, LOG, 120V-277V
BUD Combined Remote Power Distribution			

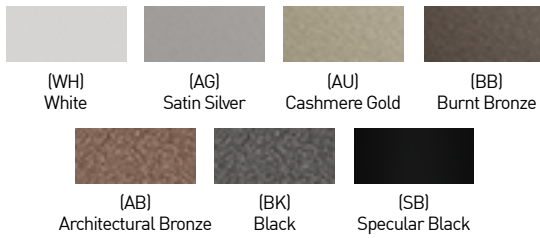
COMPATIBILITY BY DRIVER TYPE AND QUANTITY

DRIVER	HUB2X			HUB3X			HUB4X			HUB5X			HUB6X		
	06W	11W	15W	06W	11W	15W	06W	11W	15W	06W	11W	15W	06W	11W	15W
IG/ID	✓	✓	✓	✓	✓	✓	✓	✓	✓	✓	✓	✓	✓	✓	✓

PART NUMBER NOTES

- HUB and BUD assemblies are ordered as separate line item from fixtures. See pages 6-7 for additional details.

POWDERCOAT FINISHES



ALUMINA FINISHES BY LUCIFER LIGHTING™



ACCESSORIES

REPLACEMENT OPTICS

Interchangeable optics accessible through fixture aperture with baffle removal.

STATIC WHITE

- RO-17-A-20** 20° optic
- RO-17-A-30** 30° optic
- RO-17-A-40** 40° optic

WARM DIM

- RO-17-A-40-W** 40° optic

REPLACEMENT INSTALLATION TOOLS

One included with every six fixtures; not included with flange overlay.

- 01S-TOOL-BAFFLE-REMOVAL** Allows for baffle removal.

HANGER BAR EXTENDER KIT

Extends hanger bars from 24.0" to 46.0" maximum.

- FRX-HBE-46** Extender, Hanger Bar

REPLACEMENT BAFFLE ASSEMBLY (INCLUDES MEDIA)

ASSEMBLY	SHAPE	RATING	TYPE	BAFFLE	EXTERIOR FINISH	INTERIOR FINISH	MEDIA
RBA			A				
REPLACEMENT BAFFLE ASSEMBLY	1RP 1" Round 1SP 1" Square 1RS 1.6" Round Expanded 1SS 1.6" Square Expanded	1 IP20 Dry/Damp 2 IP64 Wet* * (Baffle removal tool provided for aim and focus)	A Adjustable	T Trimless	TG Trimless Gypsum	WH White AG Satin Silver AU Cashmere Gold BB Burnt Bronze BK Black PR Primer CF Custom Finish * *(Consult Factory) **See page 1 for Alumina finish options	NL No Lens 01 Clear Glass Media 02 Soft Focus Media* *(Required for 20° Optic) 03 Warm Dim Diffusion Media* *(Required for Warm Dim)
	F Flange Overlay G Zero Sightline Gypsum* (1RP/1SP Only)	WH White AG Satin Silver AU Cashmere Gold AB Arch. Bronze BB Burnt Bronze BK Black PR Primer CF Custom Finish * *(Consult Factory) **See page 1 for Alumina finish options					

1 SERIES INT ADJUSTABLE

PERFORMANCE - 1RS / 1SS - 3000K

LUMEN PACKAGE	WATTS	20° OPTIC Soft Focus Media		30° OPTIC No Lens		40° OPTIC No Lens	
		DLVD	LPW	DLVD	LPW	DLVD	LPW
80S06C	6	198	33	339	57	445	74
80S11C	11	304	28	519	47	681	62
80S15C	15	405	27	693	46	908	61
90S06C	6	171	29	293	49	384	64
90S11C	11	262	24	448	41	587	53
90S15C	15	349	23	597	40	783	52
95S06C	6	123	21	211	35	276	46
95S11C	11	188	17	322	29	423	38
95S15C	15	251	17	430	29	564	38
90L11DL (27K-18K)	11	-	-	-	-	345	31
90L11DD (30K-18K)	11	-	-	-	-	360	33
90L15DL (27K-18K)	15	-	-	-	-	454	30
90L15DD (30K-18K)	15	-	-	-	-	485	32

1" BAFFLE OUTPUT MULTIPLIER

OPTIC	LIGHT LOSS FACTOR
20°	0.99
30°	0.99
40°	0.98

MEDIA LIGHT LOSS MULTIPLIER

MEDIA	LIGHT LOSS FACTOR
NO LENS	1.00
LENS	0.93

OUTPUT MULTIPLIER

CCT	CCT SCALE
2400K	0.89
2700K	0.98
3000K	1.00
3500K	1.09
4000K	1.14

FINISH MULTIPLIER

CCT	CCT SCALE
WHITE	1.00
BLACK	0.98
SPECULAR BLACK	0.98

UNIFIED GLARE RATING

20° OPTIC	30° OPTIC	40° OPTIC
<13	<13	<10

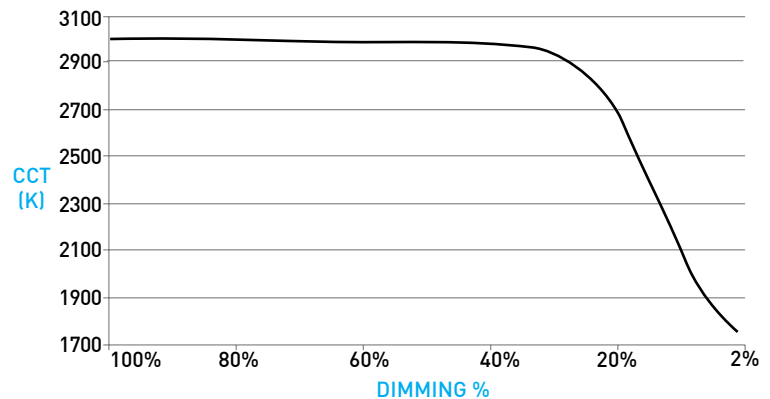
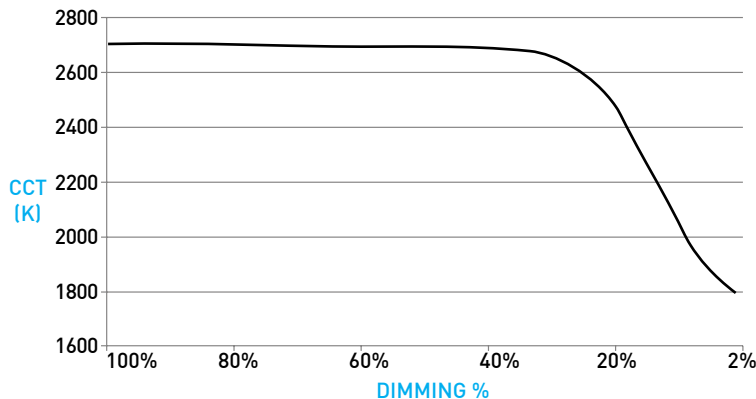
WARM DIM PERFORMANCE - 1RS / 1SS - 40° OPTIC

INCANDESCENT PROFILE - TRIMLESS

90L11DL 2700K - 1800K	Full on 100%	Dimmed to 80%	Dimmed to 70%	Dimmed to 50%	Dimmed to 20%	Dimmed to 10%	Dimmed to 2%
CCT (K)	2700K	2700K	2700K	2700K	2500K	1900K	1800K
Light Output (Lm)	345	276	241	172	69	34	7
Power (W)	11	8.8	7.7	5.5	2.2	1.1	0.2
Efficacy (LPW)	31	31	31	31	31	31	31
90L15DL 2700K - 1800K	Full on 100%	Dimmed to 80%	Dimmed to 70%	Dimmed to 50%	Dimmed to 20%	Dimmed to 10%	Dimmed to 2%
CCT (K)	2700K	2700K	2700K	2700K	2500K	1900K	1800K
Light Output (Lm)	454	363	318	227	91	45	9
Power (W)	15	12	10.5	7.5	3	1.5	0.3
Efficacy (LPW)	30	30	30	30	30	30	30

HALOGEN PROFILE - TRIMLESS

90L11DD 3000K - 1800K	Full on 100%	Dimmed to 80%	Dimmed to 70%	Dimmed to 50%	Dimmed to 20%	Dimmed to 10%	Dimmed to 2%
CCT (K)	3000K	3000K	3000K	3000K	3000K	2000K	1800K
Light Output (Lm)	360	288	252	180	72	36	7
Power (W)	11	8.8	7.7	5.5	2.2	1.1	0.2
Efficacy (LPW)	33	33	33	33	33	33	33
90L15DD 3000K - 1800K	Full on 100%	Dimmed to 80%	Dimmed to 70%	Dimmed to 50%	Dimmed to 20%	Dimmed to 10%	Dimmed to 2%
CCT (K)	3000K	3000K	3000K	3000K	3000K	2000K	1800K
Light Output (Lm)	485	388	340	243	97	49	10
Power (W)	15	12	10.5	7.5	3	1.5	0.3
Efficacy (LPW)	32	32	32	32	32	32	32



NOTE: LIN-TO-LIN 0-10V PAIRING NOT COMPATIBLE WITH WARM DIM.

1 SERIES INT ADJUSTABLE

FITTING

A ADJUSTABLE LIGHT ENGINE

Robust light engine with optimized optic pairing integrates Reflection, Refraction, and TIR offering 20°, 30°, and 40° beams.

Features integrated retention arms, toolless 35° tilt, and toolless 365° rotation.

FITTING NOTES

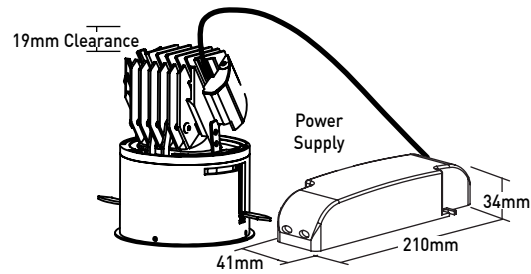
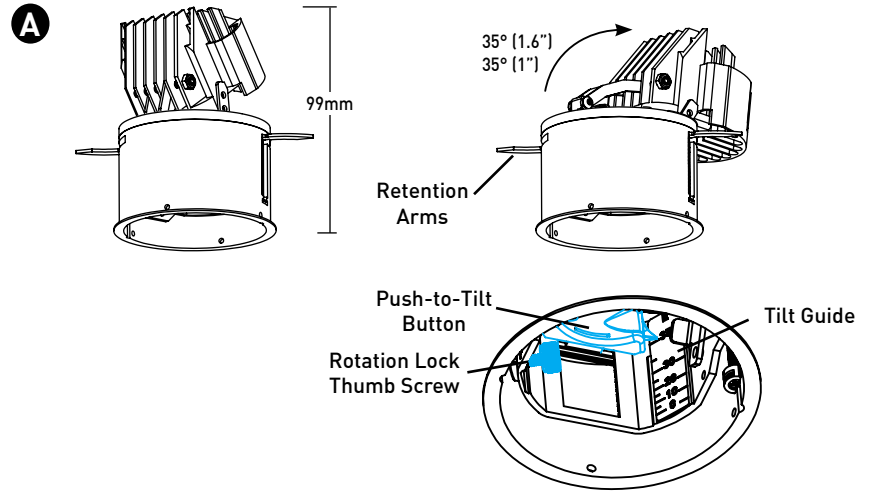
- Requires 70mm cutout.
- Tethered power supply with protected wiring between fixture and power supply.
- Minimum 19mm clearance from top of fixture.
- Minimum setback from combustible and non-combustible materials of 168mm radius from fixture centerline; minimum 76mm from surfaces of power supply if not situated within above noted radius from fixture centerline.
- Minimum additional 76mm setback from insulation material with max R-Value 30 from any surface of downlight fixture assembly.
- Minimum additional 152mm setback from polycell spray foam insulation with max R-Value 60 from any surface of downlight fixture assembly.
- Consult factory for spacing requirements for any installations exceeding R-Value 60.
- Do not install in environments where ambient temperatures exceed 40°C (104°F).

TILT PERFORMANCE

- All configurations feature max tilt without beam clipping through top of baffle aperture.

BEAM SPREAD	1.0" BAFFLE		1.6" BAFFLE	
	Max Tilt	Clipping	Max Tilt	Clipping
20°	35°	No	35°	No
30°	35°	No	35°	No
40°	35°	No	35°	No

DIMENSIONS / DRAWINGS

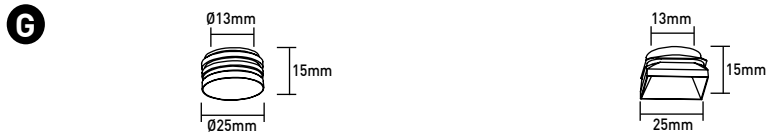
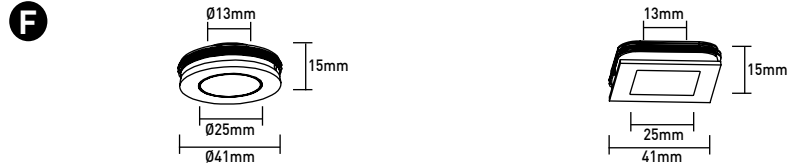
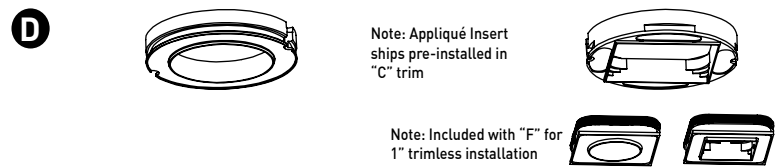
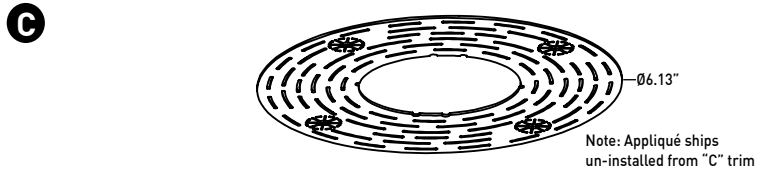
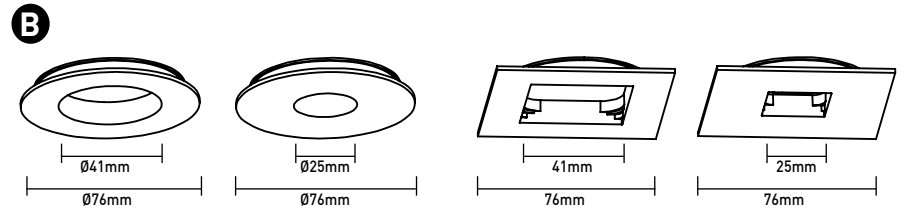


1 SERIES INT ADJUSTABLE

TRIM CONFIGURATIONS

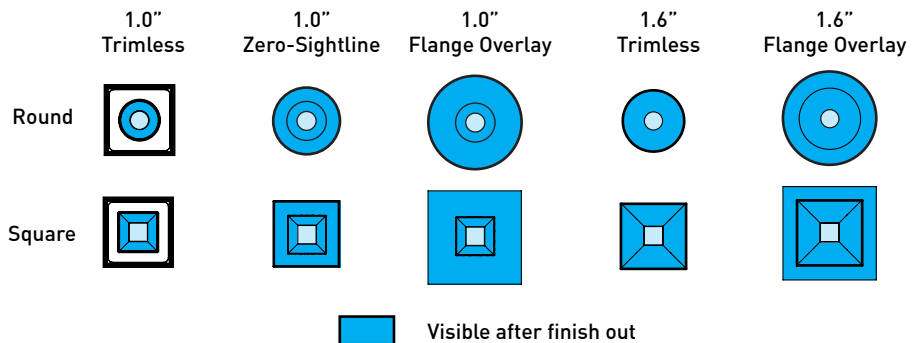
- B FLANGE OVERLAY**
Flange available in powdercoat and alumina finishes.
- C APPLIQUÉ**
Appliqué ships uninstalled from trim; installation screws provided by others. Not recommended for stucco applications.
- D APPLIQUÉ INSERT**
Ships pre-installed in trim and features a 0.06" plaster stop. Not recommended for stucco applications.
- E 1.6" BAFFLE**
CNC-Milled removable baffle provides 45° glare cutoff. Minimizes aperture glare and conceals view into housing; includes gasket. No exterior finish, interior finish available in powdercoat and alumina finishes.
- F 1.0" ZERO-SIGHTLINE BAFFLE**
CNC-Milled removable baffle provides 45° glare cutoff. Minimizes aperture glare and conceals view into housing; includes gasket. Exterior faceplate available in powdercoat and alumina finishes; interior finish available in powdercoat and alumina finishes.
Note: Trimless baffle requires 43mm square ceiling break for LED / Driver servicing.
- G 1.0" FLANGE OVERLAY / TRIMLESS BAFFLE**
CNC-Milled baffle provides 45° glare cutoff. Minimizes aperture glare and conceals view into housing; includes gasket. No exterior finish, interior finish available in powdercoat and alumina finishes.
Note: Trimless baffle requires 43mm square ceiling break for LED / Driver servicing.

DIMENSIONS / DRAWINGS



PARTS CONFIGURATION MATRIX

CONFIGURATION	PARTS
1.6" FLANGE OVERLAY	B, E
1.6" TRIMLESS GYPSUM	C, D, E
1.0" ZERO-SIGHTLINE GYPSUM	C, D, F
1.0" FLANGE OVERLAY	B, G
1.0" TRIMLESS GYPSUM	C, D, G

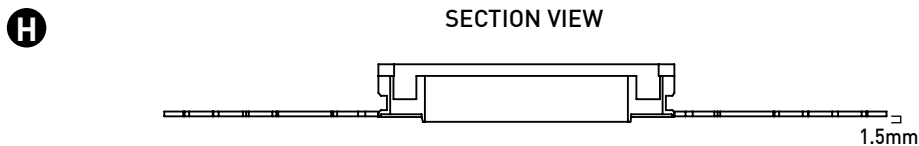


1 SERIES INT ADJUSTABLE

DOWNLIGHT / HOUSING

- H APPLIQUÉ DETAIL**
Appliqué for plaster floating directly to baffle.

DIMENSIONS / DRAWINGS



DISTRIBUTED POWER ACCESSORY

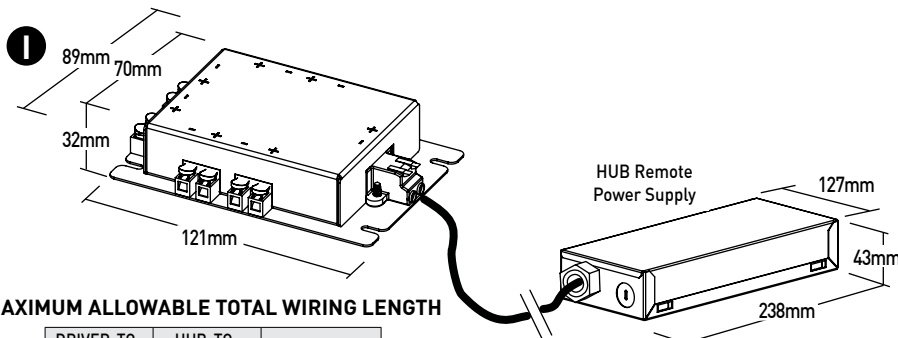
- I HUB (SEPARATE COMPONENTS)**
Included with "HUB" driver selection. Allows for multi-fixture power distribution from one remote power supply to a maximum of 6 fixtures. Connectable fixture quantity is specified in fixture part number on page 2. Hub base plate allows for structural mounting and wiring during rough-in. Wiring distances for HUB based on quantity featured in figure I.

Model Number e.g.: HUB2X15W-IG1

- J BUD (COMBINED ASSEMBLY)**
Included with "BUD" driver selection. Allows for multi-fixture power distribution from combined remote power distribution assembly to a maximum of 6 fixtures. Connectable fixture quantity is specified in fixture part number on page 2. BUD base plate allows for structural mounting and wiring during rough-in. Wiring distances for BUD based on quantity featured in figure J.

Model Number e.g.: BUD4X11W-SG5

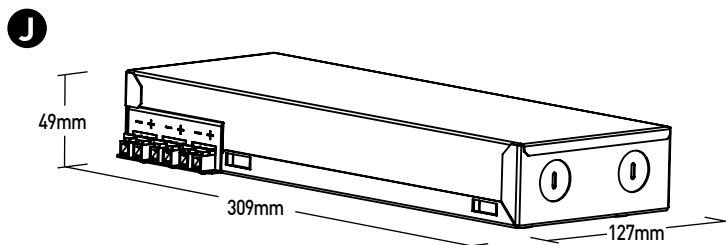
DIMENSIONS / DRAWINGS



MAXIMUM ALLOWABLE TOTAL WIRING LENGTH

DRIVER-TO-HUB AWG	HUB-TO-FIXTURE AWG	TOTAL LENGTH
18	18	46m
16	16	61m
14	14	76m
12	18	122m*
12	16	137m*
12	14	152m*

*Total length requires 76m 12AWG Driver-to-Hub wiring

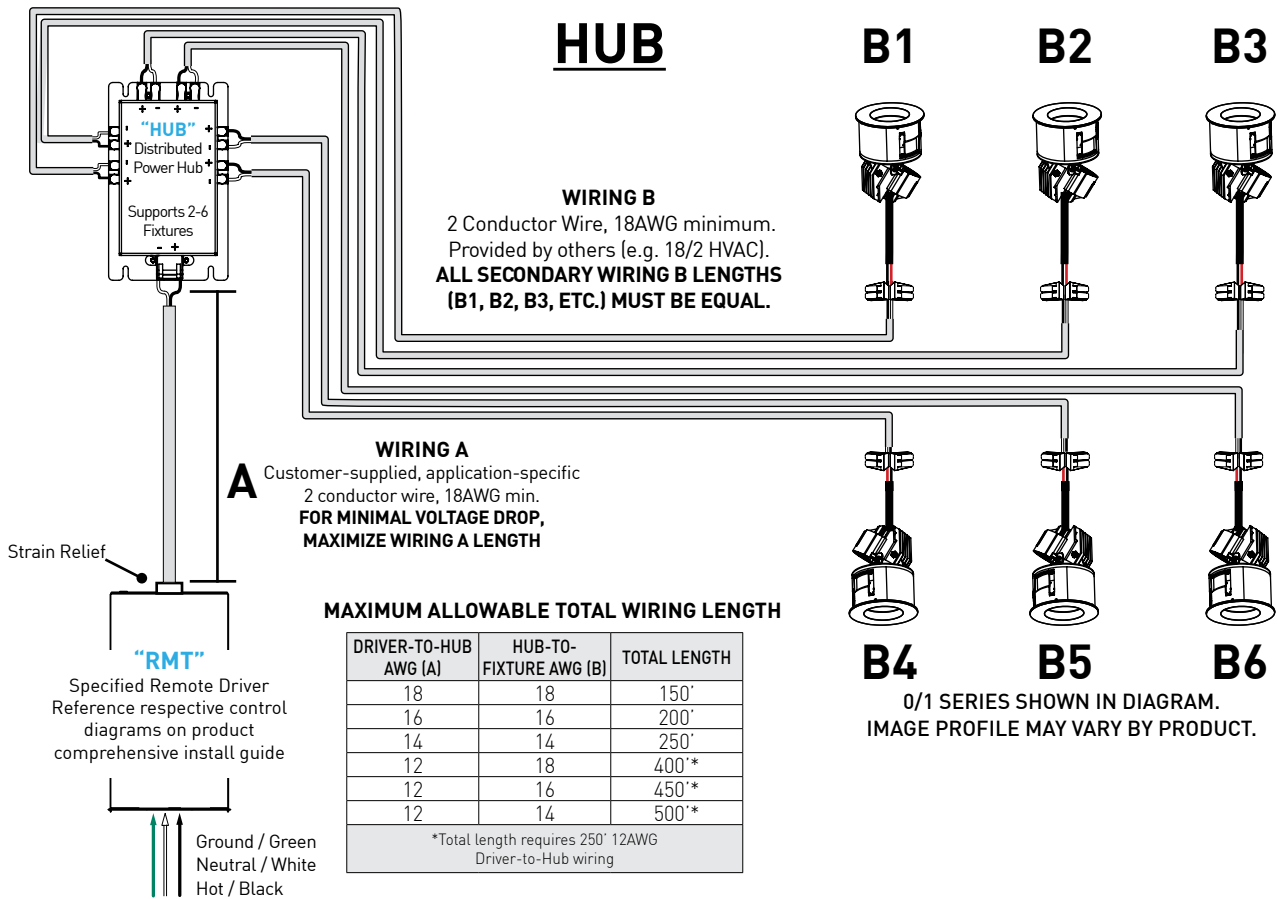


MAXIMUM ALLOWABLE TOTAL WIRING LENGTH

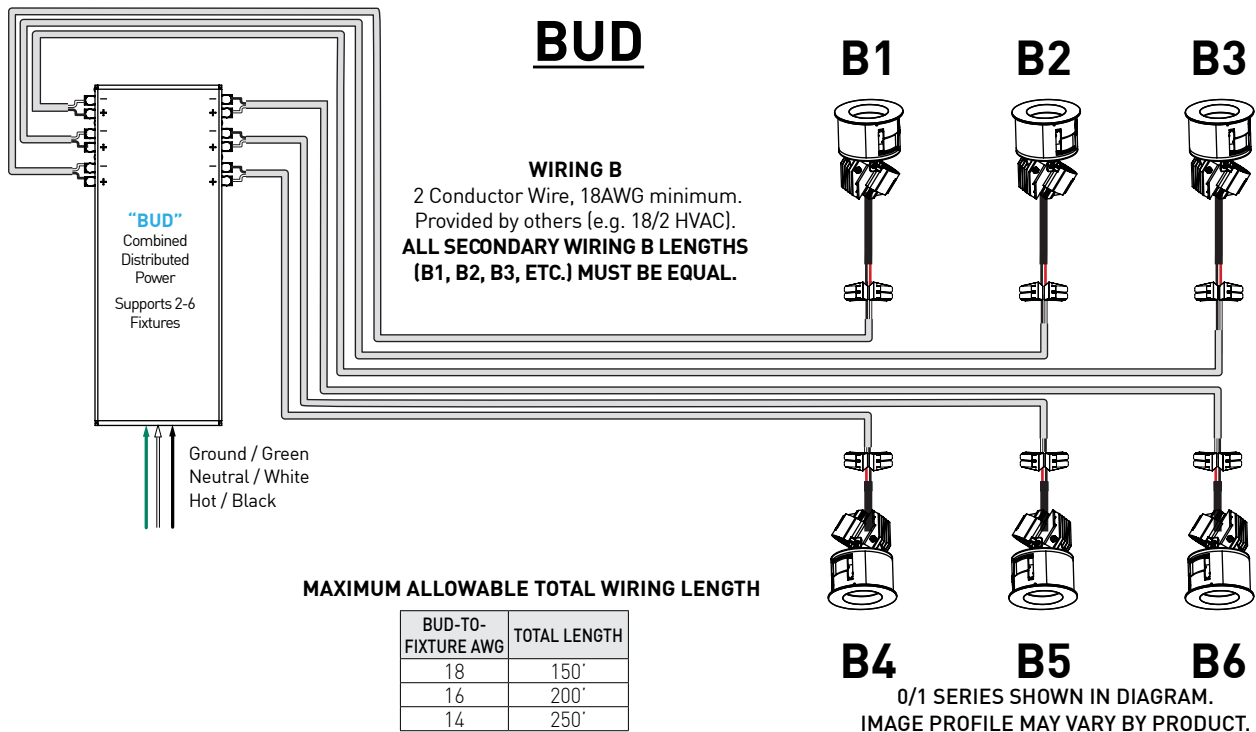
BUD-TO-FIXTURE AWG	TOTAL LENGTH
18	150'
16	200'
14	250'

1 SERIES INT ADJUSTABLE

HUB WIRING DETAILS



BUD WIRING DETAILS



1 SERIES INT ADJUSTABLE

NO DRIVER (NOD) SPECIFICATION NOTES

- Customers are responsible for ensuring power supply drive current is set to correct values shown below in the drive current specifics section.
- Customers must ensure voltage range of the proposed power supply encompasses the fixtures complete Vf range, both maximum and minimum, and can be set to the required mA drive current. If assistance is required contact your manufacturers representative or the factory.
- Lucifer Lighting is not responsible for confirming dimming compatability between power supplies and control systems / dimmers.
- Lucifer Lighting will not ship fixtures with a power supply supplied by others inside the fixture.
- Consult power supply manufacturer for maximum remote wiring distances.
- Housing and Fixture feature 18 AWG wiring.
- Wiring connections are made in the splicing compartment using customer supplied connectors, ex. wire nuts, push-in connectors, or terminal blocks.
- NOD Housings and Fixtures supplied by Lucifer Lighing are CE Listed.

DRIVE CURRENT SPECIFICS

	80S / 90S / 95S			90L	
	06C	11C	15C	11D	15D
Minimum Vf	31	31	31	33	33
Maximum Vf	37	37	37	38	38
Current mA	150	250	350	250	350
Wattage W	5.0	8.5	11.8	8.9	12.5

1 SERIES INT ADJUSTABLE

TECHNICAL

CONSTRUCTION

Downlight: Painted finishes are granulated powder coat; Alumina finishes are anodized aluminum.

Appliqué: Aluminum base with 22 Gauge galvanized steel flange.

STATIC WHITE LED

2-step MacAdam ellipse LED module available in 80+, 90+ and 95+ CRI configurations in color temperatures of 2700K, 3000K, 3500K and 4000K. 3-step MacAdam ellipse LED module available in 90+ CRI configuration in color temperature of 2400K. Average rated lamp life: 50,000 hours. LED and driver assemblies are field-replaceable.

WARM DIM LED

3-step MacAdam ellipse warm dim LED module available in 90+ CRI configuration 3000K or 2700K at full brightness, warming to 1800K at full dim. Average rated lamp life of 50,000 hours. LED and driver assemblies are field-replaceable.

POWER SUPPLY PERFORMANCE AND DIMMING INFORMATION

	0-10V	DALI-2
Power Supply	IG1	ID1
Minimum °C	-20 °C	-20 °C
Maximum °C	40 °C	40 °C
Dimming %	0.1%	0.1%

Note: For IG1 drivers consult chart on page 10 to confirm appropriate dimming curve for compatibility with selected control

MAXIMUM ALLOWABLE REMOTE DRIVER WIRING DISTANCES (SINGLE FIXTURE, SINGLE DRIVER)

DRIVER	WIRE AWG				
	12	14	16	18	20
IG1, ID1	-	-	36m	22m	14m

LISTING

CE Listed for IP20 Dry / Damp and IP64 Wet locations.

WEIGHT

Remote Driver - .64kg

LIMITED WARRANTY

Manufacturer's Limited Warranty guarantees product(s) listed to be free from defects in material and workmanship under normal use and service for 1-year. LED and power supplies are warranted to operate with 70% of original flux and remain within a range of 3 duv for a period of 5-years.

10-year Lutron Advantage limited warranty available on Lutron equipped systems. Warranty period begins from the date of shipment by Seller.

1 SERIES INT ADJUSTABLE

DIMMING COMPATIBILITY

eldoLED DRIVER COMPATIBILITY

Power supply IG1 Manufacturer	Family/Model #
Busch-Jaeger	2112U-101
Jung	240-10
Leviton Lighting Controls	IP710-DLX
Lightolier Controls	ZP600FAM120
Merten	5729
Pass & Seymour	CD4FB-W
The Watt Stopper	DCLV1
Synergy	ISD BC
Crestron®	GLX-DIMFLV8
Crestron®	GLXP-DIMFLV8
Crestron®	GLPAC-DIMFLV4-*
Crestron®	GLPAC-DIMFLV8-*
Crestron®	GLPP-DIMFLVEX-PM
Crestron®	GLPP-1DIMFLV2EX-PM
Crestron®	GLPP-1DIMFLV3EX-PM
Crestron®	DIN-A08
Crestron®	DIN-4DIMFLV4
Crestron®	CLS-EXP-DIMFLV
Crestron®	CLCI-1DIMFLV2EX

ANALOG DRIVERS AND DIMMERS

