

# 1 SERIES


## FIXED DEEP REGRESS FLANGE OVERLAY

- Max output of 908Lm at 80+ CRI, 783Lm at 90+ CRI
- Available in 1.6" aperture downlights, installed flange overlay
- Available for trimless and zero-sightline applications. See separate spec sheet.

PROJECT NAME:	TYPE:
---------------	-------



### ORDERING INFORMATION - FIXTURE

TRIM	RATING	TYPE	FINISH OUT	EXTERIOR FINISH	INTERIOR FINISH	CRI	WATTAGE	CCT	OPTIC (UGR)	MEDIA	INSTALL TYPE	CEILING THICKNESS	DRIVER
		<b>D</b>	<b>F</b>								<b>EX</b>	<b>1</b>	
1RE 1.6" Round Expanded Deep Regress	1 IP20 Dry/Damp	D Fixed	F Flange Overlay	<b>POWDERCOAT</b>	<b>POWDERCOAT</b>	 <b>STATIC WHITE</b>				NL No Lens	EX Export	1 13mm - 38mm	IG1 eldoLED, SOLOdrive 0.1% 0-10V, LOG, 120V-277V
2 IP64 Wet	2 IP64 Wet			WH White	WH White	80S 80+ CRI	1RE/1SE	24 2400K*	20 20°	01 Clear Media*			IG1 eldoLED, SOLOdrive 0.1% DALI-2, LOG, 120V-277V
1SE 1.6" Square Expanded Deep Regress				AG Satin Silver	AG Satin Silver	90S 90+ CRI	06C 6W, 391 Lm	27 2700K	30 30°	02 Soft Focus Media*			<b>REMOTE</b> HUB Separate Remote Power Supply and Distribution Hub, Powers up to 6 Fixtures* *Requires further specification on page 2 BUD Combined Remote Power Distribution, Powers up to 6 Fixtures* *Requires further specification on page 2 <b>REMOTE DRIVERS NOT ACCESSIBLE THROUGH CEILING CUTOUT</b> <b>NO DRIVER</b> NOD No Driver* *(See page 7 for specification information)
				AU Cashmere Gold	AU Cashmere Gold	95S 95+ CRI	11C 11W, 645 Lm	30 3000K	40 40°	03 Warm Dim Diffusion Media*			
				AB Architectural Bronze	AB Architectural Bronze		15C 15W, 908 Lm	35 3500K					
				BB Burnt Bronze	BB Burnt Bronze			40 4000K					
				BK Black	BK Black								
				SB Specular Black	SB Specular Black	90L 90+ CRI	1RE/1SE		40 40°				
				PR Primer	PR Primer		11D 11W						
				CF Custom Finish*	CF Custom Finish*		15D 15W						
				*(Consult Factory)			Incandescent Profile	WL 2700K-1800K					
				<b>ALUMINA</b>	<b>ALUMINA</b>		11D - 345 Lm						
				01 Brushed Obsidian	*Brushed finishes only available for round baffles		15D - 454 Lm						
				02 Matte Obsidian			Halogen Profile	WD 3000K-1800K					
				03 Brushed Dark Patinated Bronze	01 Brushed Obsidian*		11D - 360 Lm						
				04 Matte Dark Patinated Bronze	02 Matte Obsidian		15D - 485 Lm						
				05 Brushed Aged Aluminum	03 Brushed Dark Patinated Bronze*								
				06 Matte Aged Aluminum	04 Matte Dark Patinated Bronze								
				07 Brushed Cast Brass	05 Brushed Aged Aluminum*								
				08 Matte Cast Brass	06 Matte Aged Aluminum								
				09 Brushed Light Patinated Bronze	07 Brushed Cast Brass*								
				10 Matte Light Patinated Bronze	08 Matte Cast Brass								
					09 Brushed Light Patinated Bronze*								
					10 Matte Light Patinated Bronze								
					<b>FINISH IMAGES ON PAGE 2</b>								
							<b>DELIVERED LUMEN OUTPUTS REFLECT 80CRI OR WARM DIM, 3000K, 40° OPTIC, AND NO LENS.</b>						

### PART NUMBER NOTES

- Fixture ships as e.g., 1RE1DFAUBK90S15C3540NLEX1ID1
- Driver, trim, and applique ship as one unit

# 1 SERIES INT FIXED DEEP REGRESS FLANGE OVERLAY

## DISTRIBUTED POWER ACCESSORIES

### CONFIGURATION - REQUIRED FOR 'HUB' AND 'BUD' DRIVER SPECIFICATION

ASSEMBLY	QTY	WATTAGE	REMOTE DRIVER
<b>HUB</b> Separate Remote Power Supply and Distribution Hub	2X 2 Fixtures 3X 3 Fixtures 4X 4 Fixtures 5X 5 Fixtures 6X 6 Fixtures	06W 6 Watts 11W 11 Watts 15W 15 Watts	IG1 eldoLED, SOLOdrive 0.1%, 0-10V, LOG, 120V-277V ID1 eldoLED, SOLOdrive 0.1%, DALI-2, LOG, 120V-277V
<b>BUD</b> Combined Remote Power Distribution			

### COMPATIBILITY BY DRIVER TYPE AND QUANTITY

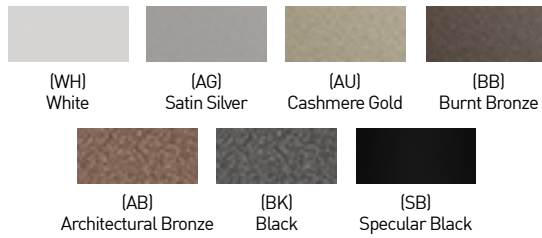
DRIVER	HUB2X			HUB3X			HUB4X			HUB5X			HUB6X		
	06W	11W	15W	06W	11W	15W	06W	11W	15W	06W	11W	15W	06W	11W	15W
IG/ID	✓	✓	✓	✓	✓	✓	✓	✓		✓			✓		

### PART NUMBER NOTES

- HUB and BUD assemblies are ordered as separate line item from fixtures. See pages 5-6 for additional details.

## FINISHES

### POWDERCOAT FINISHES



### ALUMINA FINISHES BY LUCIFER LIGHTING™



## ACCESSORIES

### REPLACEMENT OPTICS

Interchangeable optics accessible through fixture aperture with baffle removal.

#### STATIC WHITE

- RO-17-A-20 20° optic
- RO-17-A-30 30° optic
- RO-17-A-40 40° optic

#### WARM DIM

- RO-17-A-40-W 40° optic

### HANGER BAR EXTENDER KIT

Extends hanger bars from 24.0" to 46.0" maximum.

- FRX-HBE-46 Extender, Hanger Bar

### REPLACEMENT BAFFLE ASSEMBLY (INCLUDES MEDIA)

ASSEMBLY	SHAPE	RATING	TYPE	BAFFLE	EXTERIOR FINISH	INTERIOR FINISH	MEDIA
<b>RBA</b>			<b>D</b>				
REPLACEMENT BAFFLE ASSEMBLY	1RP 1" Round 1SP 1" Square 1RS 1.6" Round Expanded 1SS 1.6" Square Expanded	1 IP20 Dry/Damp 2 IP64 Wet	D Fixed	T Trimless	TG Trimless Gypsum	WH White AG Satin Silver AU Cashmere Gold BB Burnt Bronze BK Black PR Primer CF Custom Finish* *(Consult Factory) **See page 1 for Alumina finish options	NL No Lens 01 Clear Glass Media 02 Soft Focus Media* *(Required for 20° Optic) 03 Warm Dim Diffusion Media* *(Required for Warm Dim)
	F Flange Overlay G Zero Sightline Gypsum* (1RP/1SP Only)	WH White AG Satin Silver AU Cashmere Gold AB Arch. Bronze BB Burnt Bronze BK Black PR Primer CF Custom Finish* *(Consult Factory) **See page 1 for Alumina finish options		BB Burnt Bronze BK Black PR Primer CF Custom Finish* *(Consult Factory) **See page 1 for Alumina finish options			

# 1 SERIES INT FIXED DEEP REGRESS FLANGE OVERLAY

## PERFORMANCE - 1RS / 1SS - 3000K

LUMEN PACKAGE	WATTS	20° OPTIC Soft Focus Media		30° OPTIC No Lens		40° OPTIC No Lens	
		DLVD	LPW	DLVD	LPW	DLVD	LPW
80S06C	6	198	33	339	57	445	74
80S11C	11	304	28	519	47	681	62
80S15C	15	405	27	693	46	908	61
90S06C	6	171	29	293	49	384	64
90S11C	11	262	24	448	41	587	53
90S15C	15	349	23	597	40	783	52
95S06C	6	123	21	211	35	276	46
95S11C	11	188	17	322	29	423	38
95S15C	15	251	17	430	29	564	38
90L11DL (27K-18K)	11	-	-	-	-	345	31
90L11DD (30K-18K)	11	-	-	-	-	360	33
90L15DL (27K-18K)	15	-	-	-	-	454	30
90L15DD (30K-18K)	15	-	-	-	-	485	32

OPTIC	LIGHT LOSS FACTOR
20°	0.99
30°	0.99
40°	0.98

MEDIA	LIGHT LOSS FACTOR
NO LENS	1.00
LENS	0.93

CCT	CCT SCALE
2400K	0.89
2700K	0.98
3000K	1.00
3500K	1.09
4000K	1.14

CCT	CCT SCALE
WHITE	1.00
BLACK	0.98
SPECULAR BLACK	0.98

### UNIFIED GLARE RATING

20° OPTIC	30° OPTIC	40° OPTIC
<13	<13	<10

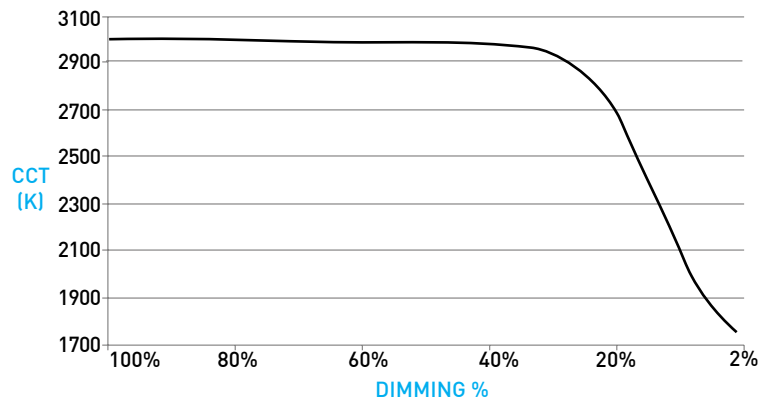
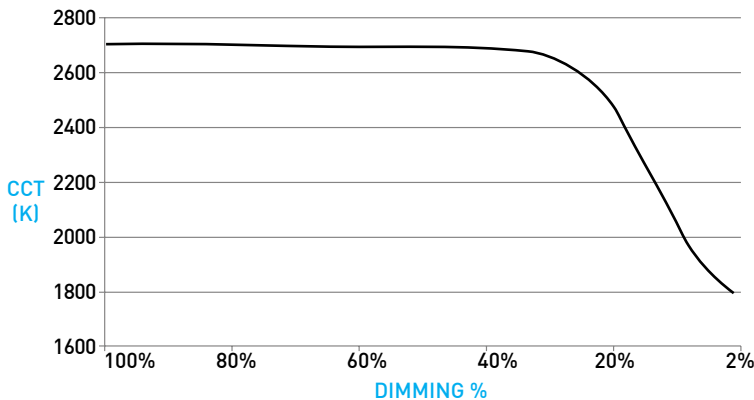
## WARM DIM PERFORMANCE - 1RS / 1SS - 40° OPTIC

### INCANDESCENT PROFILE - TRIMLESS

90L11DL 2700K - 1800K	Full on 100%	Dimmed to 80%	Dimmed to 70%	Dimmed to 50%	Dimmed to 20%	Dimmed to 10%	Dimmed to 2%
CCT (K)	2700K	2700K	2700K	2700K	2500K	1900K	1800K
Light Output (Lm)	345	276	241	172	69	34	7
Power (W)	11	8.8	7.7	5.5	2.2	1.1	0.2
Efficacy (LPW)	31	31	31	31	31	31	31
90L15DL 2700K - 1800K	Full on 100%	Dimmed to 80%	Dimmed to 70%	Dimmed to 50%	Dimmed to 20%	Dimmed to 10%	Dimmed to 2%
CCT (K)	2700K	2700K	2700K	2700K	2500K	1900K	1800K
Light Output (Lm)	454	363	318	227	91	45	9
Power (W)	15	12	10.5	7.5	3	1.5	0.3
Efficacy (LPW)	30	30	30	30	30	30	30

### HALOGEN PROFILE - TRIMLESS

90L11DD 3000K - 1800K	Full on 100%	Dimmed to 80%	Dimmed to 70%	Dimmed to 50%	Dimmed to 20%	Dimmed to 10%	Dimmed to 2%
CCT (K)	3000K	3000K	3000K	3000K	3000K	2000K	1800K
Light Output (Lm)	360	288	252	180	72	36	7
Power (W)	11	8.8	7.7	5.5	2.2	1.1	0.2
Efficacy (LPW)	33	33	33	33	33	33	33
90L15DD 3000K - 1800K	Full on 100%	Dimmed to 80%	Dimmed to 70%	Dimmed to 50%	Dimmed to 20%	Dimmed to 10%	Dimmed to 2%
CCT (K)	3000K	3000K	3000K	3000K	3000K	2000K	1800K
Light Output (Lm)	485	388	340	243	97	49	10
Power (W)	15	12	10.5	7.5	3	1.5	0.3
Efficacy (LPW)	32	32	32	32	32	32	32



**NOTE: LIN-TO-LIN 0-10V PAIRING NOT COMPATIBLE WITH WARM DIM.**

# 1 SERIES INT FIXED DEEP REGRESS FLANGE OVERLAY

## DOWNLIGHT / HOUSING

### A FIXED LIGHT ENGINE

Robust light engine with optimized optic pairing integrates Reflection, Refraction, and TIR offering 20°, 30°, and 40° beams.

Features integrated retention arms.

### B FLANGE OVERLAY

Flange available in powdercoat and alumina finishes.

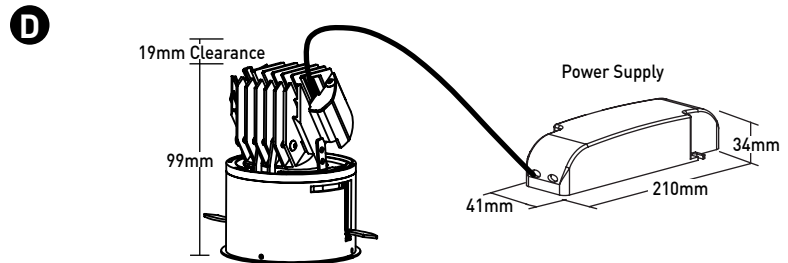
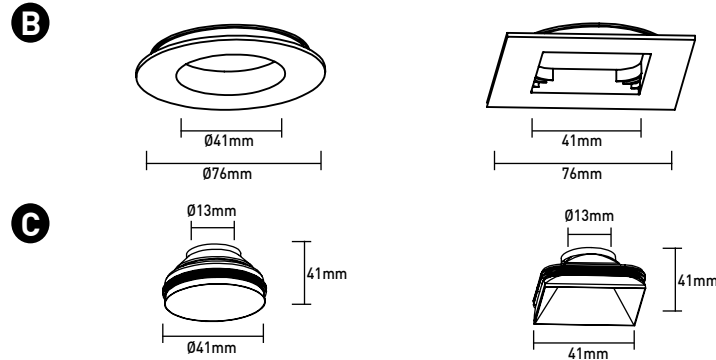
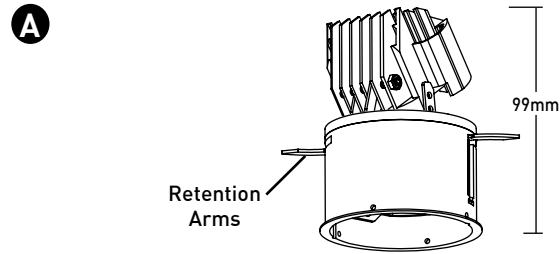
### C 1.6" DEEP REGRESS BAFFLE

CNC-Milled removable baffle provides 46° glare cutoff. Minimizes aperture glare and conceals view into housing; includes gasket. No exterior finish, interior finish available in powdercoat and alumina finishes.

### D REMODEL WITH NON-IC TETHERED POWER SUPPLY

- Requires 70mm cutout.
- Tethered power supply with protected wiring between fixture and power supply.
- Minimum 19mm clearance from top of fixture.
- Minimum setback from combustible and non-combustible materials of 168mm radius from fixture centerline; minimum 76mm from surfaces of power supply if not situated within above noted radius from fixture centerline.
- Minimum additional 76mm setback from insulation material with max R-Value 30 from any surface of downlight fixture assembly.
- Minimum additional 152mm setback from polycell spray foam insulation with max R-Value 60 from any surface of downlight fixture assembly.
- Consult factory for spacing requirements for any installations exceeding R-Value 60.
- Do not install in environments where ambient temperatures exceed 40°C (104°F).

## DIMENSIONS / DRAWINGS



# 1 SERIES INT FIXED DEEP REGRESS FLANGE OVERLAY

## DISTRIBUTED POWER ACCESSORY

### E HUB (SEPARATE COMPONENTS)

Included with "HUB" driver selection. Allows for multi-fixture power distribution from one remote power supply to a maximum of 6 fixtures. Connectable fixture quantity is specified in fixture part number on page 2. Hub base plate allows for structural mounting and wiring during rough-in. Wiring distances for HUB based on quantity featured in figure E.

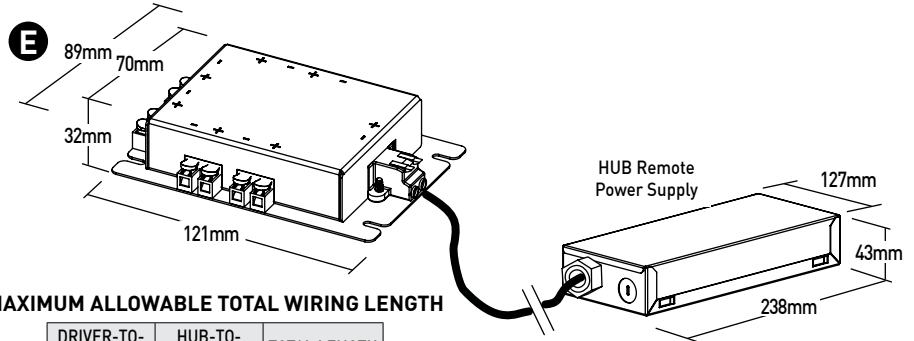
Model Number e.g.: HUB2X15W-IG1

### F BUD (COMBINED ASSEMBLY)

Included with "BUD" driver selection. Allows for multi-fixture power distribution from combined remote power distribution assembly to a maximum of 6 fixtures. Connectable fixture quantity is specified in fixture part number on page 2. BUD base plate allows for structural mounting and wiring during rough-in. Wiring distances for BUD based on quantity featured in figure F.

Model Number e.g.: BUD4X11W-SG5

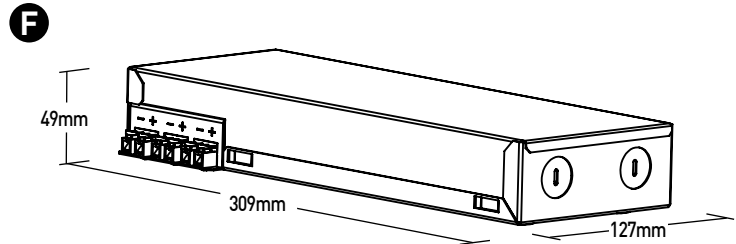
## DIMENSIONS / DRAWINGS



### MAXIMUM ALLOWABLE TOTAL WIRING LENGTH

DRIVER-TO-HUB AWG	HUB-TO-FIXTURE AWG	TOTAL LENGTH
18	18	46m
16	16	61m
14	14	76m
12	18	122m*
12	16	137m*
12	14	152m*

\*Total length requires 76m 12AWG Driver-to-Hub wiring

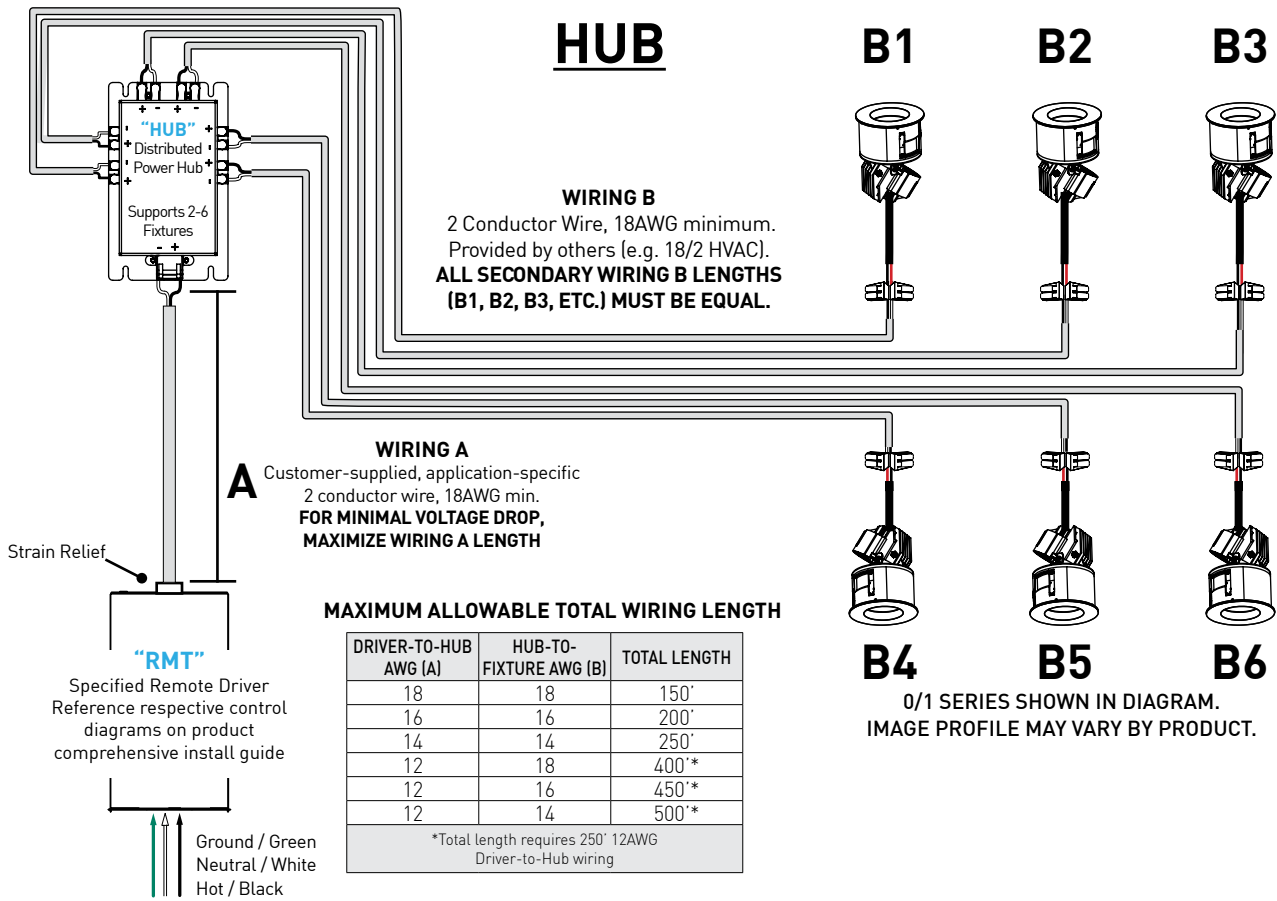


### MAXIMUM ALLOWABLE TOTAL WIRING LENGTH

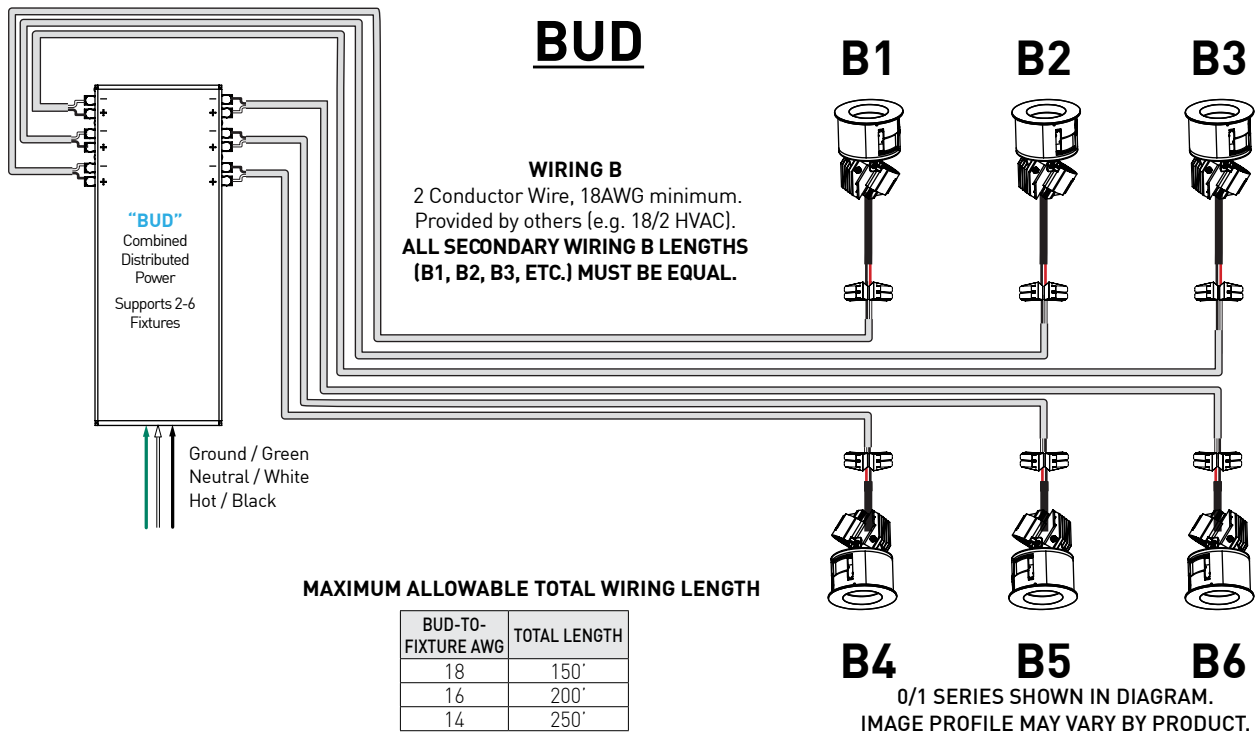
BUD-TO-FIXTURE AWG	TOTAL LENGTH
18	150'
16	200'
14	250'

# 1 SERIES INT FIXED DEEP REGRESS FLANGE OVERLAY

## HUB WIRING DETAILS



## BUD WIRING DETAILS



# 1 SERIES INT FIXED DEEP REGRESS FLANGE OVERLAY

## LOW VOLTAGE SYSTEM (LVS) SPECIFICATION NOTES

- Customers are responsible for ensuring power supply drive current is set to correct values shown below in the drive current specifics section.
- Customers must ensure voltage range of the proposed power supply encompasses the fixtures complete Vf range, both maximum and minimum, and can be set to the required mA drive current. If assistance is required contact your manufacturers representative or the factory.
- Lucifer Lighting is not responsible for confirming dimming compatability between power supplies and control systems / dimmers.
- Lucifer Lighting will not ship fixtures with a power supply supplied by others inside the fixture.
- Consult power supply manufacturer for maximum remote wiring distances.
- Housing and Fixture feature 18 AWG wiring.
- Wiring connections are made in the splicing compartment using customer supplied connectors, ex. wire nuts, push-in connectors, or terminal blocks.
- LVS Housings and Fixtures supplied by Lucifer Lighing are UL 2108 Listed.

## DRIVE CURRENT SPECIFICS

	80S / 90S / 95S			90L	
	06C	11C	15C	11D	15D
Minimum Vf	31	31	31	33	33
Maximum Vf	37	37	37	38	38
Current mA	150	250	350	250	350
Wattage W	5.0	8.5	11.8	8.9	12.5

# 1 SERIES INT FIXED DEEP REGRESS FLANGE OVERLAY

## TECHNICAL

### CONSTRUCTION

**Downlight:** Painted finishes are granulated powder coat; Alumina finishes are anodized aluminum.

**Appliqué:** Aluminum base with 22 Gauge galvanized steel flange.

### STATIC WHITE LED

2-step MacAdam ellipse LED module available in 80+, 90+ and 95+ CRI configurations in color temperatures of 2700K, 3000K, 3500K and 4000K. 3-step MacAdam ellipse LED module available in 90+ CRI configuration in color temperature of 2400K. Average rated lamp life: 50,000 hours. LED and driver assemblies are field-replaceable.

### WARM DIM LED

3-step MacAdam ellipse warm dim LED module available in 90+ CRI configuration 3000K or 2700K at full brightness, warming to 1800K at full dim. Average rated lamp life of 50,000 hours. LED and driver assemblies are field-replaceable.

### POWER SUPPLY PERFORMANCE AND DIMMING INFORMATION

	0-10V	DALI-2
Power Supply	IG1	ID1
Minimum °C	-20 °C	-20 °C
Maximum °C	40 °C	40 °C
Dimming %	0.1%	0.1%

Note: For IG1 driver consult chart on page 9 to confirm appropriate dimming curve for compatibility with selected control

### MAXIMUM ALLOWABLE REMOTE DRIVER WIRING DISTANCES (SINGLE FIXTURE, SINGLE DRIVER)

DRIVER	WIRE AWG				
	12	14	16	18	20
IG1, ID1	-	-	36m	22m	14m

### LISTING

CE Listed for IP20 Dry / Damp and IP64 Wet locations.

### WEIGHT

Remote Driver - .64kg

### LIMITED WARRANTY

Manufacturer's Limited Warranty guarantees product(s) listed to be free from defects in material and workmanship under normal use and service for 1-year. LED and power supplies are warranted to operate with 70% of original flux and remain within a range of 3 duv for a period of 5-years.

10-year Lutron Advantage limited warranty available on Lutron equipped systems. Warranty period begins from the date of shipment by Seller.

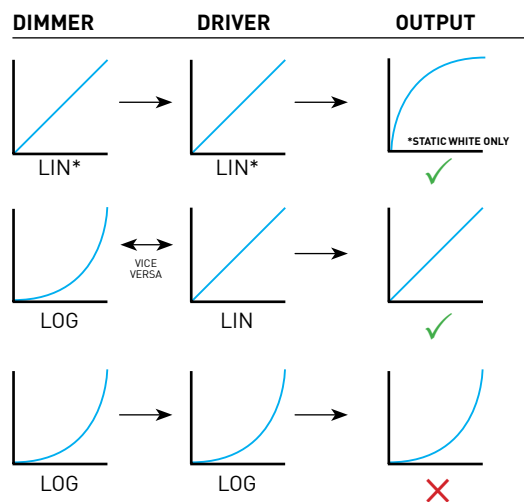
# 1 SERIES INT FIXED DEEP REGRESS FLANGE OVERLAY

## DIMMING COMPATIBILITY

### eldoLED DRIVER COMPATIBILITY

Power supply IG1 Manufacturer	Family/Model #
Busch-Jaeger	2112U-101
Jung	240-10
Leviton Lighting Controls	IP710-DLX
Lightolier Controls	ZP600FAM120
Merten	5729
Pass & Seymour	CD4FB-W
The Watt Stopper	DCLV1
Synergy	ISD BC
Crestron®	GLX-DIMFLV8
Crestron®	GLXP-DIMFLV8
Crestron®	GLPAC-DIMFLV4-*
Crestron®	GLPAC-DIMFLV8-*
Crestron®	GLPP-DIMFLVEX-PM
Crestron®	GLPP-1DIMFLV2EX-PM
Crestron®	GLPP-1DIMFLV3EX-PM
Crestron®	DIN-A08
Crestron®	DIN-4DIMFLV4
Crestron®	CLS-EXP-DIMFLV
Crestron®	CLCI-1DIMFLV2EX

### ANALOG DRIVERS AND DIMMERS



LIN = LINEAR  
 LOG = LOGARITHMIC  
 \*LIN-TO-LIN NOT COMPATIBLE FOR WARM-DIM