





STELLR® INTERNATIONAL

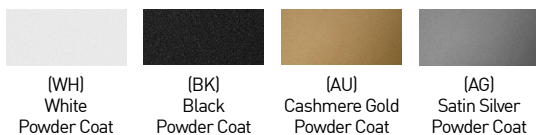
Organic shape and minimalist form conceals the mechanics of this high-performance luminaire, offering both volumetric and directional lighting with two light sources and infinite control options of multi-layered illumination.

PROJECT NAME:	TYPE:
---------------	-------



ORDERING INFORMATION

SERIES	SIZE	CANOPY TYPE	BODY COLOR	CANOPY COLOR	DOWNLIGHT LUMEN PACKAGE	WAVEGUIDE LUMEN PACKAGE	OPTIC	WAVEGUIDE	EFFECTS DEVICE	DRIVER	MOUNTING
S	2	C						S			
S STELLR	2 Medium 10.2"	C Ceiling Mount	WH White BK Black AG Satin Silver AU Cashmere Gold CF Custom Finish* <small>*(Consult Factory)</small>	WH White BK Black AG Satin Silver AU Cashmere Gold CF Custom Finish* <small>*(Consult Factory)</small>	 STATIC WHITE 8027 80+ CRI, 2700K Dlvd. Lumens - 1539 8030 80+ CRI, 3000K Dlvd. Lumens - 1600 8035 80+ CRI, 3500K Dlvd. Lumens - 1616 8040 80+ CRI, 4000K Dlvd. Lumens - 1632 9027 90+ CRI, 2700K Dlvd. Lumens - 1315 9030 90+ CRI, 3000K Dlvd. Lumens - 1368 9035 90+ CRI, 3500K Dlvd. Lumens - 1381 9040 90+ CRI, 4000K Dlvd. Lumens - 1395  WARM DIM 90WD 90+ CRI, 3200K - 1800K Dlvd. Lumens - 1018 <small>* DELIVERED LUMEN VALUES REFLECT USE OF THE 35 DEGREE OPTIC AND NO LENS</small>	 STATIC WHITE 8027 80+ CRI, 2700K Dlvd. Lumens - 728 8030 80+ CRI, 3000K Dlvd. Lumens - 794 8035 80+ CRI, 3500K Dlvd. Lumens - 794 8040 80+ CRI, 4000K Dlvd. Lumens - 825 9027 90+ CRI, 2700K Dlvd. Lumens - 656 9030 90+ CRI, 3000K Dlvd. Lumens - 715 9035 90+ CRI, 3500K Dlvd. Lumens - 715 9040 90+ CRI, 4000K Dlvd. Lumens - 744  WARM DIM 90WD 90+ CRI, 3200K - 1800K Dlvd. Lumens - 699 <small>* DELIVERED LUMEN VALUES REFLECT USE OF THE 35 DEGREE OPTIC AND NO LENS</small>	15 15° 35 35° 55 55°	S Standard	STANDARD EFFECTS DEVICE 0 No Lens OPTIONAL EFFECTS DEVICE 2 Honeycomb Louver 3 Clear Glass Lens 4 Soft Focus Lens	INTEGRAL (220-240V) IG 1% 0-10V Analog, LOG* <small>*[Sources dim independently, requires independent control lines]</small> IN 1% 0-10V Analog, LIN* <small>*[Sources dim independently, requires independent control lines]</small> DD eldoLED, DUALdrive 0.1% DALI, LOG* <small>*[Sources dim independently]</small> EG eldoLED, SOLOdrive 0.1% 0-10V, LOG* <small>*[Sources dim together]</small> EN eldoLED, SOLOdrive 0.1% 0-10V, LIN* <small>*[Sources dim together]</small>	E International Surface Mounting Plate S Small Ø4.9" Ceiling Mount Junction Box for 1/2" and 3/4" Conduit* <small>*[Finish specified in canopy color section]</small> L Large Ø6.4" Ceiling Mount Junction Box for 1/2" and 3/4" Conduit* <small>*[Finish specified in canopy color section]</small>



PART NUMBER NOTES

- STELLR ships as e.g., S2C-BK BK-9MA18MA1-35S4-IG*E
- CMJB ships as S2*-CMJB-(finish)

STELLR INTERNATIONAL

ACCESSORIES

ALTERNATE EFFECTS DEVICES

- HCL-S2-01** Honeycomb Louver
- CGL-S2-01** Clear Glass Lens
- SFL-S2-01** Soft Focus Lens

REPLACEMENT OPTIC ASSEMBLIES

- RO-S2-15** 15° optic
- RO-S2-35** 35° optic
- RO-S2-55** 55° optic

DOWNLIGHT PERFORMANCE - 3000K

LUMEN PACKAGE	WATTAGE	15° OPTIC / NO LENS		35° OPTIC / NO LENS		55° OPTIC / NO LENS		15° OPTIC / HCL		35° OPTIC / HCL		55° OPTIC / HCL	
		DELIVERED	LPW	DELIVERED	LPW	DELIVERED	LPW	DELIVERED	LPW	DELIVERED	LPW	DELIVERED	LPW
8030	17	1494	87	1600	93	1683	98	1210	70	1200	70	1212	71
9030	17	1277	74	1368	80	1438	84	1034	60	1026	60	1035	60
90WD	14	966	69	1018	73	1169	84	782	56	764	55	842	60

STATIC WHITE OUTPUT MULTIPLIER	
CCT	CCT SCALE
2700K	0.960
3000K	1.000
3500K	1.014
4000K	1.015

LIGHT LOSS FACTOR MULTIPLIER	
No Lens	1.00
CGL	1.00
SFL	0.95
HCL	0.60

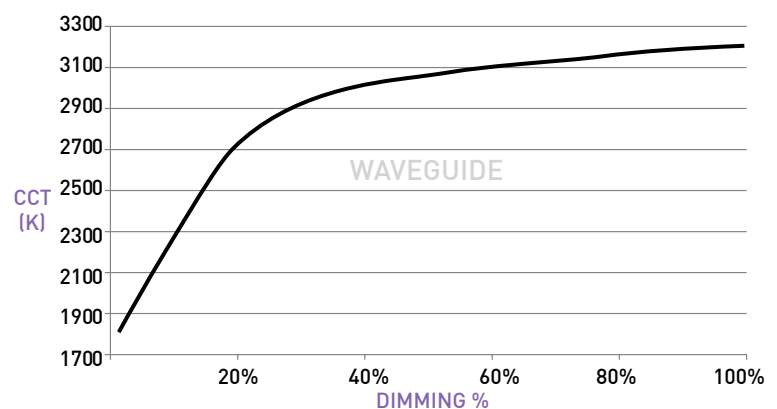
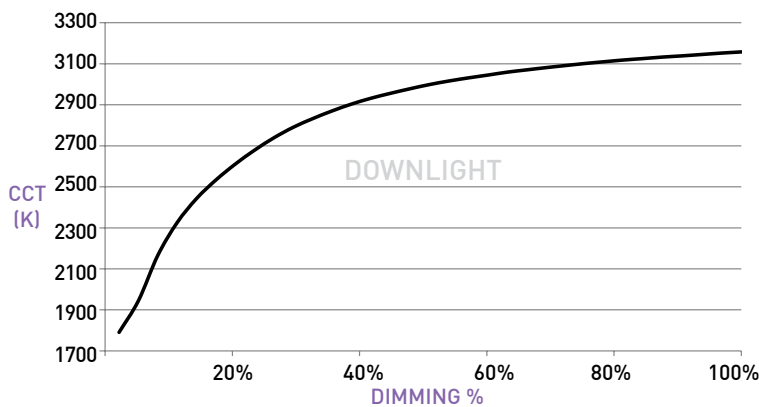
WAVEGUIDE PERFORMANCE

LUMEN PACKAGE	WATTAGE	2700K		3000K		3500K		4000K	
		DELIVERED	LPW	DELIVERED	LPW	DELIVERED	LPW	DELIVERED	LPW
80	14	728	53	794	58	794	58	825	64
90	14	656	48	715	52	715	52	744	54
90WD	14	-	-	699	51	-	-	-	-

WARM DIM PERFORMANCE

DOWNLIGHT - 35° OPTIC / NO LENS	Full on 100%	Dimmed to 80%	Dimmed to 70%	Dimmed to 50%	Dimmed to 20%	Dimmed to 10%	Dimmed to 2%
CCT (K)	3200	3150	3100	3000	2700	2200	1800
Light Output (Lm)	1010	814	713	509	204	102	20
Power (W)	14	11	10	7	3	1.4	0.3
Efficacy (LPW)	73	73	73	73	73	73	73

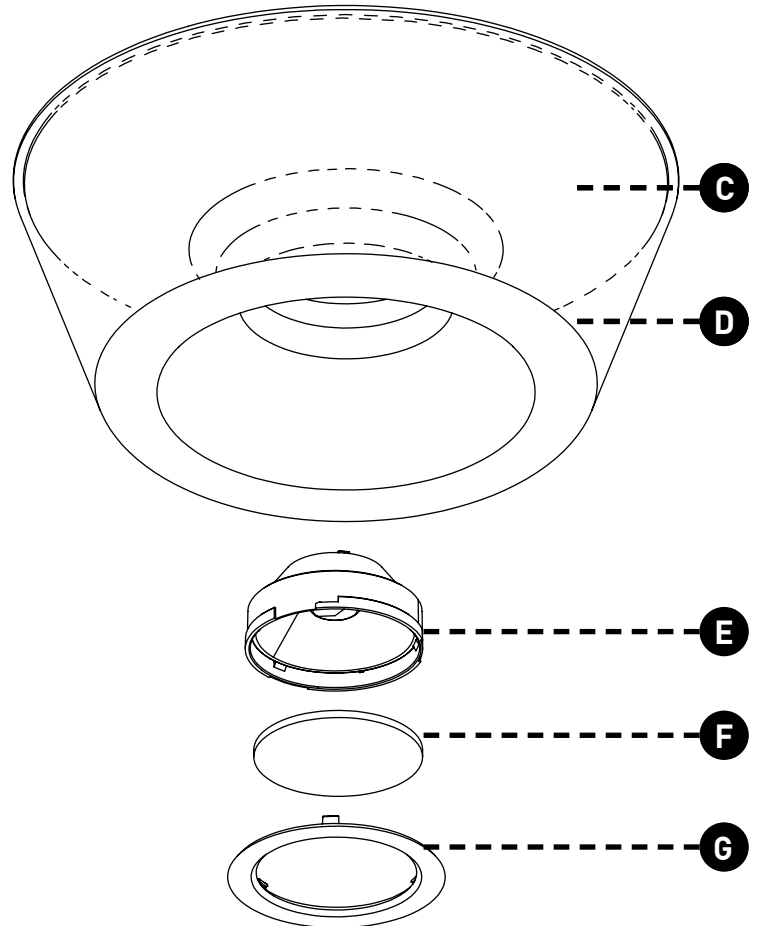
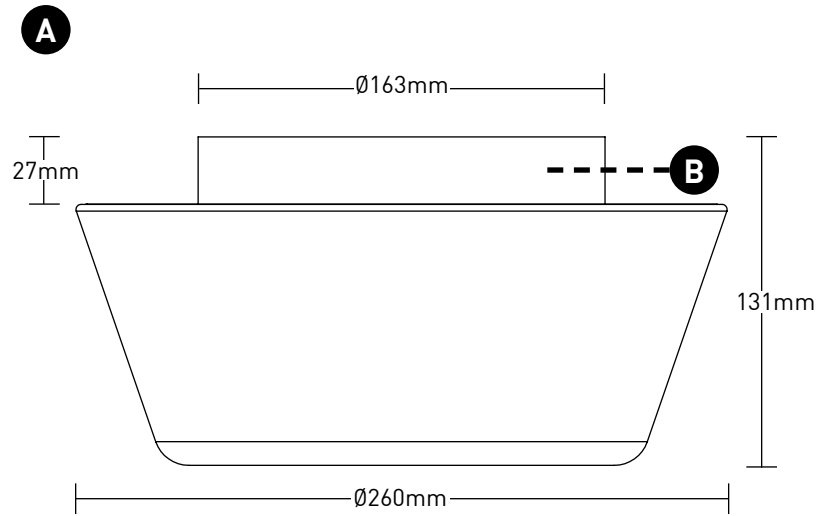
WAVEGUIDE	Full on 100%	Dimmed to 80%	Dimmed to 70%	Dimmed to 50%	Dimmed to 20%	Dimmed to 10%	Dimmed to 2%
CCT (K)	3200	3150	3100	3050	2700	2200	1800
Light Output (Lm)	699	559	489	350	140	70	14
Power (W)	14	13	12	9	3	1.7	0.3
Efficacy (LPW)	51	51	51	51	51	51	51



FIXTURE

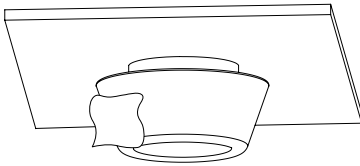
- A LUMINAIRE**
Body with integrated heat sink and LED assemblies.
- B CANOPY**
Conceals hidden twist-on mounting hardware and houses integral driver assemblies. Available in powdercoat finishes.
- C BODY**
Available in powdercoat finishes.
- D WAVEGUIDE**
Transmits light creating illumination effect. Ships with protective cover installed.
- E OPTIC**
Field-changeable optics available in 15°, 35°, & 55° beams.
- F EFFECTS DEVICE**
Media is field-changeable.
- G LENS RETAINER**
Attaches to optic assembly and accommodates one effects device. Finish will match body color. Consult factory if alternate finish requested.

DIMENSIONS / DRAWINGS



CLEANING INSTRUCTIONS

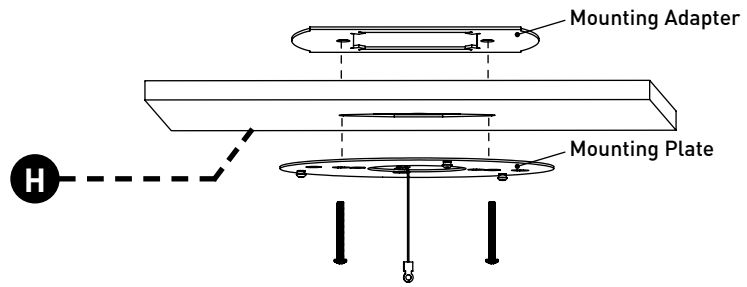
Factory recommends cleaning waveguide assembly with a microfiber cloth or similar non-abrasive cloth. In most cases a damp microfiber cloth will remove dust/debris or fingerprints. For stubborn stains, approved cleaning agents include soap and water, or ammonia based cleaners.



MOUNTING

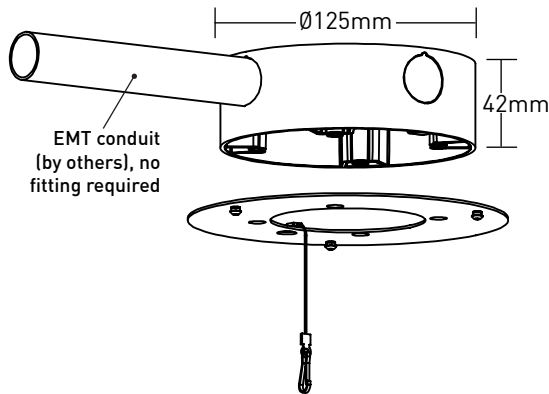
DIMENSIONS / DRAWINGS

- H MOUNTING PLATE**
Surface mounted, does not require installation prior to rough-in. Mounting adapter sits atop ceiling for attachment of mounting plate. Fixture mounts flush with minimalist transition to ceiling.
- I CMJB**
Ceiling mount junction box provides integrated look where exposed ceiling mount junction box and conduit applications apply. For use with 1/2" and 3/4" EMT conduit only. Features three conduit entrances at 12, 3, and 6 o'clock plus one conduit knockout on top. Painted finishes only. Blank off plugs included. Available in "S" Small and "L" Large configurations.

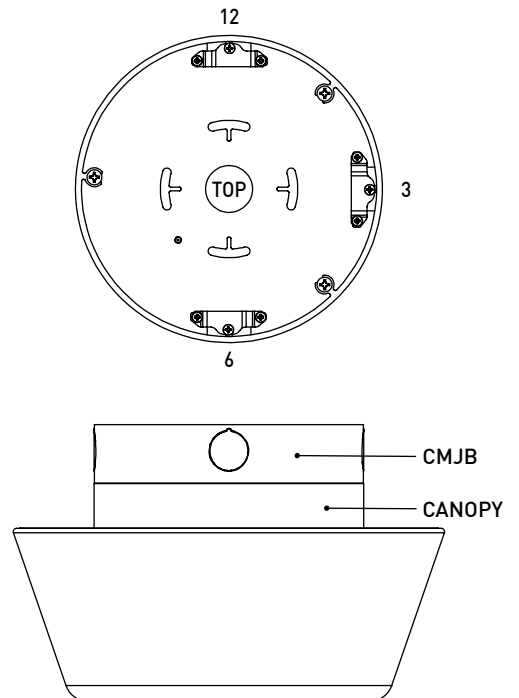
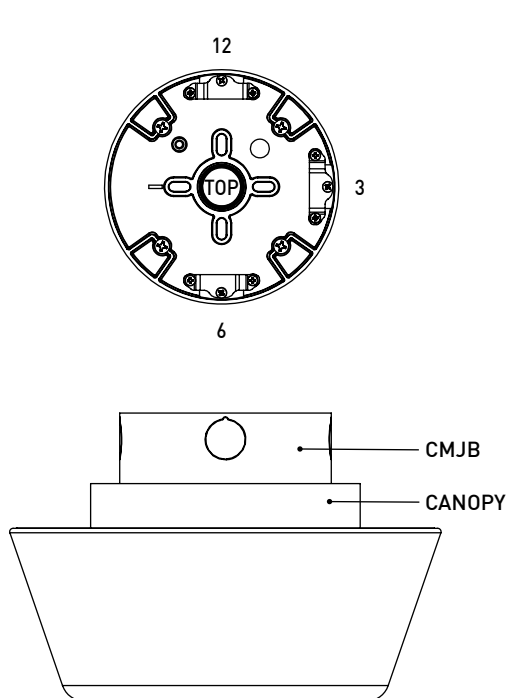
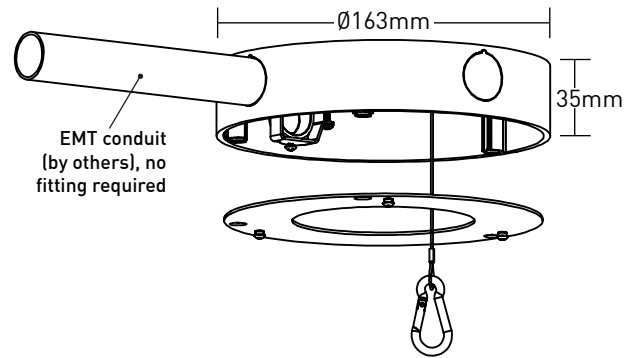


I

"S" SMALL CMJB



"L" LARGE CMJB



FIXTURE CONTROL INFORMATION

DRIVER	DRIVER QUANTITY	SOURCES DIM INDEPENDENTLY OR TOGETHER	SOURCES DIM TOGETHER ONLY	WIRING REQUIREMENTS
IG	2	X		For independent control, two switch-legs and two 0-10V control leads required.
IN	2	X		For independent control, two switch-legs and two 0-10V control leads required.
DD	1	X		For independent control, two DALI addresses required
EG	1		X	Single switch-leg and 0-10V control leads required.
EN	1		X	Single switch-leg and 0-10V control leads required.

TECHNICAL

CONSTRUCTION

Fixture: Machined aluminum canopy and spun reflector; die-cast aluminum heat-sink; painted finishes are granulated powder coat.
 CMJB: Die-cast or Machined aluminum body; painted finishes are granulated powder coat.

LED

Proprietary 2 step MacAdam ellipse LED modules available in 80+ and 90+ CRI configurations in color temperatures of 2700K, 3000K, 3500K and 4000K. Average rated lamp life of 50,000 hours. Driver assemblies are field-replaceable.

WARM DIM LED

Proprietary 3-step MacAdam ellipse warm dim LED modules available in 90+ CRI configuration. 3200K at full brightness, warming to 1800K at full dim. Average rated lamp life of 50,000 hours. Driver assemblies are field-replaceable.

POWER SUPPLY PERFORMANCE AND DIMMING INFORMATION

Power Supply	IG	IN	DD	EG	EN
Minimum °C	-10 °C	-10 °C	-20 °C	-20 °C	-20 °C
Maximum °C	25 °C	25 °C	25 °C	25 °C	25 °C
Dimming %	1.0%	1.0%	0.1%	0.1%	0.1%

MOUNTING

Fixture is supplied with a mounting adapter, which integrates with mounting plate. Ceiling-mount junction box available for 1/2" (13mm) and 3/4" (19mm) conduit and features concealed internal clamps for clean fitting-free conduit exit and entry.

LISTING

CE listed for IP20 Dry / Damp locations.

WARRANTY

Manufacturer's 1-year warranty guarantees product(s) listed to be free from defects in material and workmanship under normal use and service. 5-year warranty on LED and power supply to operate with 70% of the original flux and remain within a range of 3 duv. 10-year Lutron Advantage limited warranty available on Lutron equipped systems. Warranty period begins from the date of shipment by Seller and conditional upon the use of manufacturer-supplied power supply. Consult [website](#) for full warranty terms and conditions.

CHANGE LOG

- 1.06/24/2020: WARM DIM CAN BE SPECIFIED WITH EITHER SOURCE, NO LONGER REQUIRED FOR BOTH SOURCES.
- 2.10/16/2020: ADDED "L" LARGE CMJB OPTION.
- 3.10/16/2020: CHANGED "C" CMJB TO "S" SMALL CMJB.

DRIVE CURRENT SPECIFICS

DOWNLIGHT

	80	90	90WD
	20A	17A	13A
Minimum Vf	30.5	30.5	30.5
Maximum Vf	39	39	39
Current mA	425	425	350
Wattage W	14.6	14.6	11.8

WAVEGUIDE

	80	90	90WD
Minimum Vf	30.5	30.5	30.5
Maximum Vf	39	39	39
Current mA	350	350	350
Wattage W	11.8	11.8	11.8