

FRAXION® 4 DEEP REGRESS ADJUSTABLE

PROJECT NAME:	TYPE:
---------------	-------



Starting September 2024, we will begin shipping our new, enhanced, Fraxion4 SLIM family replacing Fraxion4. This update features the addition of trimless millwork and a concrete pour solution. See Page 2 for fixture comparison.

ORDERING INFORMATION - DOWNLIGHT / HOUSING



JA8-2022 INDICATED BY SHADING

SHAPE	TRIM	RATING	FLANGE FINISH	BAFFLE FINISH	CRI / WATTAGE PACKAGE	CCT	OPTIC (UGR)	INSTALL TYPE	CEILING THICKNESS	DRIVER	MEDIA																																														
F4R Round	FAD Standard Flange MAD Microflange TAD Trimless	1 IP20 Dry/Damp 2 IP64 Wet* *Suction cup provided for Aim & Focus)	WH White	WH White	STATIC WHITE 80S11A 80+ CRI, 11W, Lumens Divd. - 1105 80S15A 80+ CRI, 15W, Lumens Divd. - 1479 80S21A 80+ CRI, 21W, Lumens Divd. - 2032 80S30B 80+ CRI, 30W, Lumens Divd. - 2607* *(Not available for IC housing applications) 90S11A 90+ CRI, 11W, Lumens Divd. - 949 90S15A 90+ CRI, 15W, Lumens Divd. - 1271 90S21A 90+ CRI, 21W, Lumens Divd. - 1746 90S30B 90+ CRI, 30W, Lumens Divd. - 2240* *(Not available for IC housing applications) 97S11A 97+ CRI, 11W, Lumens Divd. - 833 97S15A 97+ CRI, 15W, Lumens Divd. - 1116 97S21A 97+ CRI, 21W, Lumens Divd. - 1533 97S30B 97+ CRI, 30W, Lumens Divd. - 1967* *(Not available for IC housing applications)	24 2400K* *190+ CRI. Not available for 21W or 30W package) 15 15° (<16) 15 15° (<16) 20 20° (<13) 25 25° (<13) 30 3000K 35 3500K 40 4000K	10 10° (<13) *(15W package only) 15 15° (<16) 20 20° (<13) 25 25° (<13) 40 40° (<16) 60 60° (<13) 85 85° (>19) *(Requires -14 WDL effects device)	HOUSING INTEGRAL DRIVER IC IC NC NIC AT IC, Airtight* *(CCEA, Airtight & Title 24 compliant housing) HOUSING REMOTE DRIVER IR IC, Remote NR NIC, Remote AR IC, Airtight, Remote* REMODEL RM Remodel RR Remote, Remodel	2 0.125" - 2.50" *(Housing) 0.25" - 2.50" *(Remodel) 0.50" - 2.50" *(All Trimless) T 0.125" - 2.50" *(Includes adjustable housing height bracket)	DOMESTIC (120V) TR2 Philips, 2% Leading/Trailing/Triac* *(Not available for 30W packages) L23 Lutron, Hi-Lume 1% 2-Wire UNIVERSAL (120-277V) LH1 Lutron, Hi-Lume 1% Ecosystem AN4 Philips Xitanium 1% 0-10V, LOG LN2 Philips Xitanium 1% 0-10V, LIN EA2 eldoLED, SOL0drive 0.1% 0-10V, LOG LA2 eldoLED, SOL0drive 0.1% 0-10V, LIN ED1 eldoLED, SOL0drive 0.1% DALI-2, LOG AS1 / Athena Control ASR eldoLED, SOL0drive 0.1%* *(Includes Athena Node. Extended lead time, consult factory. ASR includes shunt) CS1 / Casambi Control CSR eldoLED, SOL0drive 0.1%* *(Remote only. Includes Casambi Node. Extended lead time, consult factory. CSR includes shunt)	STANDARD MEDIA 04 Soft Focus Lens NL No Lens* *(Standard with 10° optic. Not available for Wet Location, Warm Dim, or Airtight Housings) ALTERNATE MEDIA 03 Clear Glass Lens* *(Not available for Warm Dim) 05 Frosted Glass Lens 08 Frosted Soft Focus Lens 14 Wide Distribution Lens* *(Required and only available for 85° beam spread) 26 Frosted Linear Spread Lens 28 Adjustable Honeycomb Louver and Soft Focus Lens* *(Not available with 60° optic, Wet location, or Airtight Housings)																																														
			F4S Square	FAD Standard Flange MAD Microflange TAD Trimless								1 IP20 Dry/Damp 2 IP64 Wet* *Suction cup provided for Aim & Focus)	BB Burnt Bronze	BB Burnt Bronze	WARM DIM 90W15A 90+ CRI, 15W Incandescent Profile: 2700K - 1800K Lumens Divd. - 924 Halogen Profile: 3000K - 1800K Lumens Divd. - 936 *SEE PAGE 4 FOR DETAILED WARM DIM PROFILE COMPARISON.	WL 2700K - 1800K WD 3000K - 1800K	20 20° (<10) 25 25° (<10) 40 40° (<10) 60 60° (<10) 85 85° (>19) *(Requires -14 WDL effects device)	*(CCEA, Airtight & Title 24 compliant housing) REMODEL RM Remodel RR Remote, Remodel	TUNABLE WHITE 90T13B 90+ CRI, 13W* *(Not available for Remodel applications) Cool Profile: 5000K - 2700K Lumens Divd. - 982 Warm Profile: 4000K - 1800K Lumens Divd. - 991 90T22B 90+ CRI, 22W* *(Not available for Remodel applications) Cool Profile: 5000K - 2700K Lumens Divd. - 1559 Warm Profile: 4000K - 1800K Lumens Divd. - 1573	TH 5000K - 2700K TR 4000K - 1800K	15 15° (<16) 20 20° (<10) 25 25° (<13) 40 40° (<13) 60 60° (<13) 85 85° (>19) *(Requires -14 WDL effects device)	IC HOUSING: 6.5" TALL NIC HOUSING: 4.5" TALL	TUNABLE WHITE POWER SUPPLIES (120-277V) DD1 eldoLED, DUALdrive 0.1% DALI-2, LOG DG1 eldoLED, DUALdrive 0.1% 0-10V, LOG DL1 eldoLED, DUALdrive 0.1% 0-10V, LIN AD1 / Athena Control ADR eldoLED, DUALdrive 0.1%* *(Includes Athena Node. Extended lead time, consult factory. ADR includes shunt) CD1 / Casambi Control CDR eldoLED, DUALdrive 0.1%* *(Remote only. Includes Casambi Node. Extended lead time, consult factory. CDR includes shunt)																																		
													AG Satin Silver	AG Satin Silver										*SEE PAGE 4 FOR DETAILED WARM DIM PROFILE COMPARISON.	TH 5000K - 2700K TR 4000K - 1800K	IC HOUSING: 6.5" TALL NIC HOUSING: 4.5" TALL	TUNABLE WHITE POWER SUPPLIES (120-277V) DD1 eldoLED, DUALdrive 0.1% DALI-2, LOG DG1 eldoLED, DUALdrive 0.1% 0-10V, LOG DL1 eldoLED, DUALdrive 0.1% 0-10V, LIN AD1 / Athena Control ADR eldoLED, DUALdrive 0.1%* *(Includes Athena Node. Extended lead time, consult factory. ADR includes shunt) CD1 / Casambi Control CDR eldoLED, DUALdrive 0.1%* *(Remote only. Includes Casambi Node. Extended lead time, consult factory. CDR includes shunt)																														
	AU Cashmere Gold	AU Cashmere Gold											*SEE PAGE 4 FOR DETAILED WARM DIM PROFILE COMPARISON.	TH 5000K - 2700K TR 4000K - 1800K														IC HOUSING: 6.5" TALL NIC HOUSING: 4.5" TALL	TUNABLE WHITE POWER SUPPLIES (120-277V) DD1 eldoLED, DUALdrive 0.1% DALI-2, LOG DG1 eldoLED, DUALdrive 0.1% 0-10V, LOG DL1 eldoLED, DUALdrive 0.1% 0-10V, LIN AD1 / Athena Control ADR eldoLED, DUALdrive 0.1%* *(Includes Athena Node. Extended lead time, consult factory. ADR includes shunt) CD1 / Casambi Control CDR eldoLED, DUALdrive 0.1%* *(Remote only. Includes Casambi Node. Extended lead time, consult factory. CDR includes shunt)																												
	CF Custom Finish* *(Consult Factory)	CF Custom Finish* *(Consult Factory)																												*SEE PAGE 4 FOR DETAILED WARM DIM PROFILE COMPARISON.	TH 5000K - 2700K TR 4000K - 1800K	IC HOUSING: 6.5" TALL NIC HOUSING: 4.5" TALL	TUNABLE WHITE POWER SUPPLIES (120-277V) DD1 eldoLED, DUALdrive 0.1% DALI-2, LOG DG1 eldoLED, DUALdrive 0.1% 0-10V, LOG DL1 eldoLED, DUALdrive 0.1% 0-10V, LIN AD1 / Athena Control ADR eldoLED, DUALdrive 0.1%* *(Includes Athena Node. Extended lead time, consult factory. ADR includes shunt) CD1 / Casambi Control CDR eldoLED, DUALdrive 0.1%* *(Remote only. Includes Casambi Node. Extended lead time, consult factory. CDR includes shunt)																								
	PR Primer	PR Primer																																*SEE PAGE 4 FOR DETAILED WARM DIM PROFILE COMPARISON.	TH 5000K - 2700K TR 4000K - 1800K	IC HOUSING: 6.5" TALL NIC HOUSING: 4.5" TALL	TUNABLE WHITE POWER SUPPLIES (120-277V) DD1 eldoLED, DUALdrive 0.1% DALI-2, LOG DG1 eldoLED, DUALdrive 0.1% 0-10V, LOG DL1 eldoLED, DUALdrive 0.1% 0-10V, LIN AD1 / Athena Control ADR eldoLED, DUALdrive 0.1%* *(Includes Athena Node. Extended lead time, consult factory. ADR includes shunt) CD1 / Casambi Control CDR eldoLED, DUALdrive 0.1%* *(Remote only. Includes Casambi Node. Extended lead time, consult factory. CDR includes shunt)																				
	OO Trimless* *(Required for trimless)	OO Trimless* *(Required for trimless)																																				*SEE PAGE 4 FOR DETAILED WARM DIM PROFILE COMPARISON.	TH 5000K - 2700K TR 4000K - 1800K	IC HOUSING: 6.5" TALL NIC HOUSING: 4.5" TALL	TUNABLE WHITE POWER SUPPLIES (120-277V) DD1 eldoLED, DUALdrive 0.1% DALI-2, LOG DG1 eldoLED, DUALdrive 0.1% 0-10V, LOG DL1 eldoLED, DUALdrive 0.1% 0-10V, LIN AD1 / Athena Control ADR eldoLED, DUALdrive 0.1%* *(Includes Athena Node. Extended lead time, consult factory. ADR includes shunt) CD1 / Casambi Control CDR eldoLED, DUALdrive 0.1%* *(Remote only. Includes Casambi Node. Extended lead time, consult factory. CDR includes shunt)																
	BK Black	BK Black																																								*SEE PAGE 4 FOR DETAILED WARM DIM PROFILE COMPARISON.	TH 5000K - 2700K TR 4000K - 1800K	IC HOUSING: 6.5" TALL NIC HOUSING: 4.5" TALL	TUNABLE WHITE POWER SUPPLIES (120-277V) DD1 eldoLED, DUALdrive 0.1% DALI-2, LOG DG1 eldoLED, DUALdrive 0.1% 0-10V, LOG DL1 eldoLED, DUALdrive 0.1% 0-10V, LIN AD1 / Athena Control ADR eldoLED, DUALdrive 0.1%* *(Includes Athena Node. Extended lead time, consult factory. ADR includes shunt) CD1 / Casambi Control CDR eldoLED, DUALdrive 0.1%* *(Remote only. Includes Casambi Node. Extended lead time, consult factory. CDR includes shunt)												
	CF Custom Finish* *(Consult Factory)	CF Custom Finish* *(Consult Factory)																																												*SEE PAGE 4 FOR DETAILED WARM DIM PROFILE COMPARISON.	TH 5000K - 2700K TR 4000K - 1800K	IC HOUSING: 6.5" TALL NIC HOUSING: 4.5" TALL	TUNABLE WHITE POWER SUPPLIES (120-277V) DD1 eldoLED, DUALdrive 0.1% DALI-2, LOG DG1 eldoLED, DUALdrive 0.1% 0-10V, LOG DL1 eldoLED, DUALdrive 0.1% 0-10V, LIN AD1 / Athena Control ADR eldoLED, DUALdrive 0.1%* *(Includes Athena Node. Extended lead time, consult factory. ADR includes shunt) CD1 / Casambi Control CDR eldoLED, DUALdrive 0.1%* *(Remote only. Includes Casambi Node. Extended lead time, consult factory. CDR includes shunt)								
	CF Custom Finish* *(Consult Factory)	CF Custom Finish* *(Consult Factory)																																																*SEE PAGE 4 FOR DETAILED WARM DIM PROFILE COMPARISON.	TH 5000K - 2700K TR 4000K - 1800K	IC HOUSING: 6.5" TALL NIC HOUSING: 4.5" TALL	TUNABLE WHITE POWER SUPPLIES (120-277V) DD1 eldoLED, DUALdrive 0.1% DALI-2, LOG DG1 eldoLED, DUALdrive 0.1% 0-10V, LOG DL1 eldoLED, DUALdrive 0.1% 0-10V, LIN AD1 / Athena Control ADR eldoLED, DUALdrive 0.1%* *(Includes Athena Node. Extended lead time, consult factory. ADR includes shunt) CD1 / Casambi Control CDR eldoLED, DUALdrive 0.1%* *(Remote only. Includes Casambi Node. Extended lead time, consult factory. CDR includes shunt)				
	CF Custom Finish* *(Consult Factory)	CF Custom Finish* *(Consult Factory)																																																				*SEE PAGE 4 FOR DETAILED WARM DIM PROFILE COMPARISON.	TH 5000K - 2700K TR 4000K - 1800K	IC HOUSING: 6.5" TALL NIC HOUSING: 4.5" TALL	TUNABLE WHITE POWER SUPPLIES (120-277V) DD1 eldoLED, DUALdrive 0.1% DALI-2, LOG DG1 eldoLED, DUALdrive 0.1% 0-10V, LOG DL1 eldoLED, DUALdrive 0.1% 0-10V, LIN AD1 / Athena Control ADR eldoLED, DUALdrive 0.1%* *(Includes Athena Node. Extended lead time, consult factory. ADR includes shunt) CD1 / Casambi Control CDR eldoLED, DUALdrive 0.1%* *(Remote only. Includes Casambi Node. Extended lead time, consult factory. CDR includes shunt)
	CF Custom Finish* *(Consult Factory)	CF Custom Finish* *(Consult Factory)																																																							
CF Custom Finish* *(Consult Factory)	CF Custom Finish* *(Consult Factory)	*SEE PAGE 4 FOR DETAILED WARM DIM PROFILE COMPARISON.			TH 5000K - 2700K TR 4000K - 1800K	IC HOUSING: 6.5" TALL NIC HOUSING: 4.5" TALL	TUNABLE WHITE POWER SUPPLIES (120-277V) DD1 eldoLED, DUALdrive 0.1% DALI-2, LOG DG1 eldoLED, DUALdrive 0.1% 0-10V, LOG DL1 eldoLED, DUALdrive 0.1% 0-10V, LIN AD1 / Athena Control ADR eldoLED, DUALdrive 0.1%* *(Includes Athena Node. Extended lead time, consult factory. ADR includes shunt) CD1 / Casambi Control CDR eldoLED, DUALdrive 0.1%* *(Remote only. Includes Casambi Node. Extended lead time, consult factory. CDR includes shunt)																																																		



LUMEN DELIVERED OUTPUTS AND T24 COMPLIANCE REFLECT 3000K PAIRED WITH 20° OPTIC AND SOFT FOCUS LENS.

SEE PAGE 4 FOR UGR RATINGS

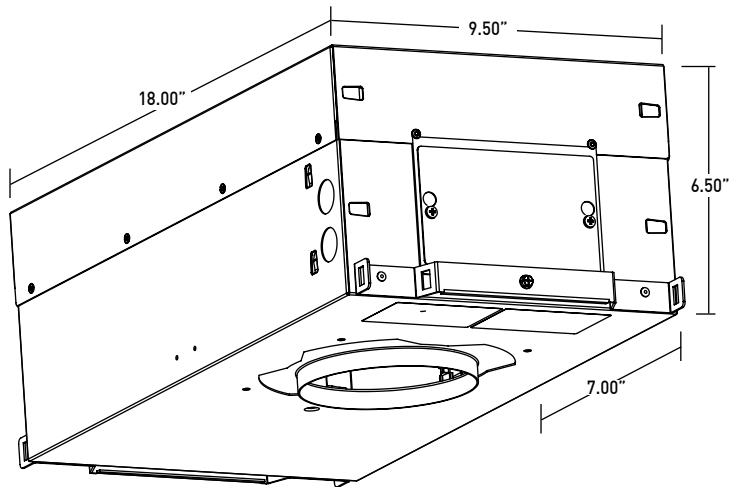
PART NUMBER NOTES

- Trim ships as e.g., F4RFAD1-WHWH-90S11A2-3I2-AN4
- Housing ships as e.g., ICT-F4R-01
- Driver ships with trim

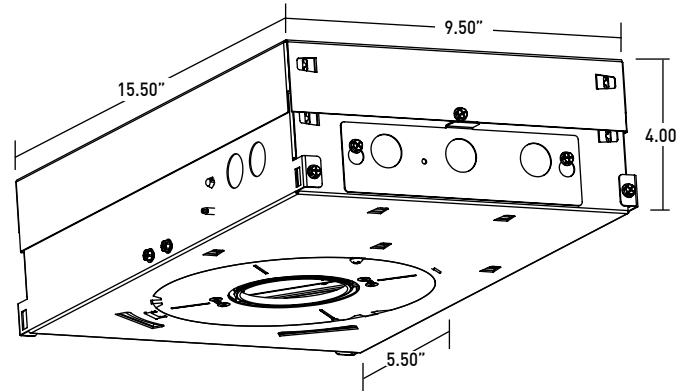


FRAXION4 DEEP REGRESS ADJUSTABLE

CURRENT FRAXION4



NEW FRAXION4 SLIM



FIXTURE COMPARISON	CURRENT	NEW
STANDARD TILT	40° MAX	40° MAX FEATURING TILT GUIDE & JACK SCREW
ROTATION	365°	365° FEATURING SNAP LOCK
MAX CEILING THICKNESS	2.50	2.125"
TRIMLESS MILLWORK	NO	YES
REMODEL	YES	YES
CONCRETE SOLUTION	NO	YES

FRAZION4 DEEP REGRESS ADJUSTABLE

ACCESSORIES

ALTERNATE MEDIA

Dry/Damp location only.
Wet location requires alternate baffle.

- CGL-F4R-2** Clear Glass Lens*
*(Not available for Warm Dim)
- FGL-F4R-2** Frosted Glass Lens
- SFL-F4R-2** Soft Focus Lens
- FSFL-F4R-2** Frosted Soft Focus Lens
- WDL-F4R-2** Wide Distribution Lens*
*(Required and only available for 85° beam spread)
- FLSL-F4R-2** Frosted Linear Spread Lens

ADJUSTABLE HCL ASSEMBLY

Dry / Damp location only

- OLR-F3RS1-SFL-HCL** Adjustable Honeycomb Louver and Soft Focus Lens*
*(Not available for Airtight housings)

REPLACEMENT BAFFLE ASSEMBLY (INCLUDES MEDIA)

ASSEMBLY	SHAPE	TRIM	RATING	FLANGE FINISH	MEDIA
RBA					
REPLACEMENT BAFFLE ASSEMBLY	F4R Round	FAD Standard Flange MAD Microflange TAD Trimless	1 Dry / Damp 2 Wet* *(Requires provided suction cup to service or aim & focus)	WH White BK Black PR Primer AU Cashmere Gold AG Satin Silver BB Burnt Bronze CF Custom Finish* *(Consult Factory)	Leave blank for standard Soft Focus Lens CGL Clear Glass Lens* *(Not available for Warm Dim) FGL Frosted Glass Lens FSFL Frosted Soft Focus Lens WDL Wide Distribution Lens* *(Required and only available for 85° beam spread) FLSL Frosted Linear Spread Lens
	F4S Square	FAD Standard Flange Transitional Baffle MAD Microflange Transitional Baffle TAD Trimless Transitional Baffle			

REPLACEMENT OPTICS

Interchangeable optics accessible through fixture aperture.

STATIC WHITE

- RO-50-15-S** 15° optic
- RO-50-20-S** 20° optic
- RO-50-25-S** 25° optic
- RO-50-40-S** 40° optic
- RO-50-60-S** 60° optic

WARM DIM

- RO-50-20-W2** 20° optic
- RO-50-25-W2** 25° optic
- RO-50-40-W2** 40° optic
- RO-50-60-W2** 60° optic

TUNABLE WHITE

- RO-50-15-T** 15° optic
- RO-50-20-T** 20° optic
- RO-50-25-T** 25° optic
- RO-50-40-T** 40° optic
- RO-50-60-T** 60° optic

REPLACEMENT SUCTION TOOL

One included with every six fixtures designated Wet location.

- F4-TOOL-SUCTION** Allows for removal of baffle with Wet location

T-GRID ACCESSORY KIT

Supplied with ceiling thickness "T" and recommended for installations in T-Grid up to 1.5" tall. Available for ceiling thicknesses from 0.125" - 2.50".

- DHA-TG-KIT**

FURRING CHANNEL ACCESSORY KIT

Recommended for installations in furring channel. Available for ceiling thicknesses from 0.125" - 2.50".

- DHA-FC-KIT**

HANGER BAR EXTENDER KIT

Extends hanger bars from 24.0" to 46.0" maximum.

- FRX-HBE-46** Extender, Hanger Bar

EMERGENCY LIGHTING - REMOTE MOUNT ONLY

During disruption of main power, emergency battery inverter provides temporary 120V or 277V to fixture.

- EMB-S-25-120/277-LEDX** 25 watt max capacity, 120 or 277 VAC 60Hz, Non-Dimmable
- EMB-S-100-120-LEDX** 100 watt max capacity, 120 VAC 60Hz, 0-10V Dimmable
- EMB-S-100-277-LEDX** 100 watt max capacity, 277 VAC 60Hz, 0-10V Dimmable
- EMB-S-250-120/277-LEDX** 250 watt max capacity, 120 or 277 VAC 60Hz, 0-10V Dimmable

***SHUNT REQUIRED FOR USE WITH ATHENA AND CASAMBI CONTROLS, CONSULT FACTORY FOR DETAILS.**

FRACTION4 DEEP REGRESS ADJUSTABLE

PERFORMANCE - 3000K

24 JA8-2022 INDICATED BY SHADING

LUMEN PACKAGE	WATTS	10° OPTIC NO LENS		15° OPTIC SOFT FOCUS LENS		20° OPTIC SOFT FOCUS LENS		25° OPTIC SOFT FOCUS LENS		40° OPTIC SOFT FOCUS LENS		60° OPTIC SOFT FOCUS LENS		85° OPTIC WIDE DISTRIBUTION	
		DLVD.	LPW	DLVD.	LPW	DLVD.	LPW	DLVD.	LPW	DLVD.	LPW	DLVD.	LPW	DLVD.	LPW
80S11A	11	-	-	899	82	1105	100	1063	97	942	86	1022	93	853	78
80S15A	15	1079	98	1226	82	1479	99	1429	95	1273	85	1376	92	1133	76
80S21A	21	-	-	1664	79	2032	97	1897	90	1731	82	1860	89	1545	74
80S30B	30	-	-	2217	74	2607	87	2474	82	2204	73	2408	80	1984	66
90S11A	11	-	-	772	70	949	86	913	83	809	74	878	80	733	67
90S15A	15	930	85	1053	70	1271	85	1228	82	1094	73	1182	79	973	65
90S21A	21	-	-	1429	68	1746	83	1629	78	1487	71	1598	76	1328	63
90S30B	30	-	-	1905	64	2240	75	2125	71	1893	63	2069	69	1704	57
97S11A	11	-	-	678	62	833	76	802	73	711	65	771	70	643	58
97S15A	15	802	73	925	62	1116	74	1078	72	961	64	1038	69	854	57
97S21A	21	-	-	1255	60	1533	73	1431	68	1306	62	1403	67	1166	56
97S30B	30	-	-	1673	56	1967	66	1866	62	1662	55	1817	61	1496	50
90W15A (WL 27K-18K)	15	-	-	-	-	924	62	881	59	795	53	860	57	702	47
90W15A (WD 30K-18K)	15	-	-	-	-	936	62	897	60	803	54	867	58	730	49
90T13B (40K-18K)	13	-	-	814	63	991	76	957	74	849	65	921	71	731	56
90T13B (50K-27K)	13	-	-	806	62	982	76	948	73	841	65	913	70	724	56
90T22B (40K-18K)	22	-	-	1258	57	1573	72	1499	68	1346	61	1464	67	1167	53
90T22B (50K-27K)	22	-	-	1247	57	1559	71	1485	68	1334	61	1450	66	1157	53

OUTPUT MULTIPLIER

CCT	CCT SCALE
2400K	0.85
2700K	0.97
3000K	1.00
3500K	1.03
4000K	1.08

MEDIA LIGHT LOSS FACTOR

MEDIA	LIGHT LOSS FACTOR
NO LENS	1.06
CGL	1.00
SFL	1.00
FGL	0.89
FSFL	0.81
FLSL	0.82
HCL	0.73

TUNABLE WHITE MULTIPLIER

CCT	5000K-2700K	4000K-1800K
5000K	1.16	-
4000K	1.08	1.14
3500K	1.04	1.07
3000K	1.00	1.00
2700K	0.96	0.92
2400K	-	0.84
1800K	-	0.69

UNIFIED GLARE RATING

10° OPTIC NO LENS	15° OPTIC SOFT FOCUS LENS	20° OPTIC SOFT FOCUS LENS	25° OPTIC SOFT FOCUS LENS	40° OPTIC SOFT FOCUS LENS	60° OPTIC SOFT FOCUS LENS	85° OPTIC WIDE DISTRIBUTION
<13	<16	<13	<13	<16	<13	>19

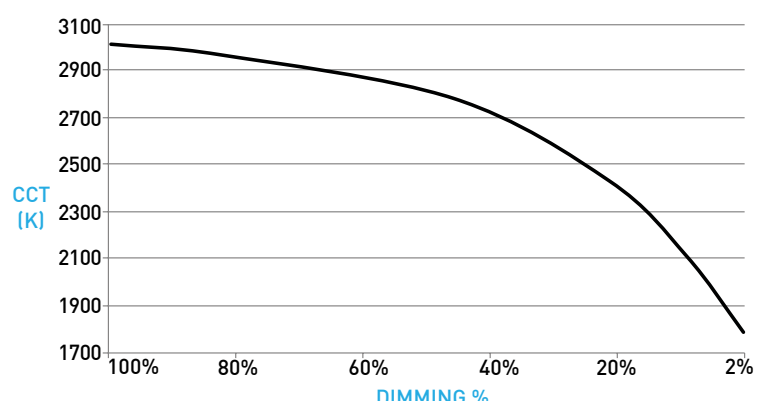
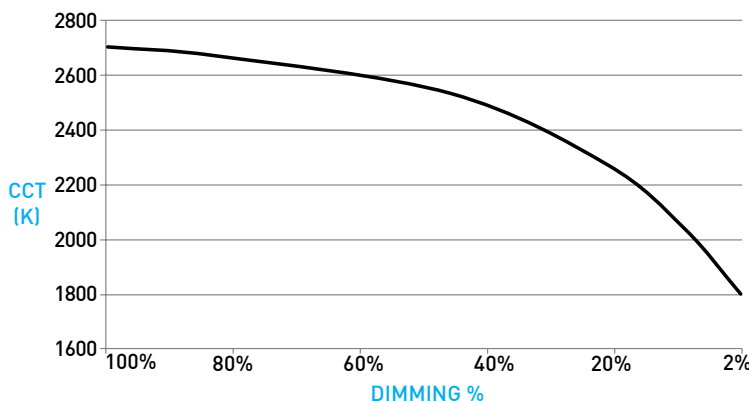
WARM DIM PERFORMANCE - 20° OPTIC - SOFT FOCUS LENS

WARM DIM TO MIRROR INCANDESCENT DIMMING PROFILE

WL 2700K - 1800K	Full on 100%	Dimmed to 80%	Dimmed to 70%	Dimmed to 50%	Dimmed to 20%	Dimmed to 10%	Dimmed to 2%
CCT (K)	2700	2650	2620	2520	2180	1950	1800
Light Output (Lm)	924	739	646	462	184	92	18
Power (W)	15	12	10.5	7.5	3	1.5	.3
Efficacy (LPW)	62	62	62	62	62	62	62

HALOGEN WARM DIM PROFILE

WD 3000K - 1800K	Full on 100%	Dimmed to 80%	Dimmed to 70%	Dimmed to 50%	Dimmed to 20%	Dimmed to 10%	Dimmed to 2%
CCT (K)	3000	2950	2920	2775	2375	2000	1800
Light Output (Lm)	936	748	655	468	187	93	18
Power (W)	15	12	10.5	7.5	3	1.5	.3
Efficacy (LPW)	62	62	62	62	62	62	62



FRACTION4 DEEP REGRESS ADJUSTABLE

DOWNLIGHT

A ADJUSTABILITY

Hot-aim tilt up to 40° and 361° rotation with 5° tilt increment indicators. Sliding pivot point optimizes center beam, ensuring unclipped beam of 15° at 40° tilt and 22° at 30° tilt.

B BAFFLE

ROUND

Die-cast deep removable baffle provides easy access to tilting mechanism and features 60° glare cutoff. Minimizes aperture glare and conceals view into housing; includes silicone gasket.

TRANSITIONAL BAFFLE

Die-cast deep removable baffle provides easy access to tilting mechanism and features 60° glare cutoff. Transitions from square aperture at ceiling plane to round aperture at light source. Minimizes aperture glare and conceals view into housing; includes silicone gasket.

C RETENTION

Integrated metal arm clamps located within fixture body allow discreet flange design, while accommodating varying ceiling thicknesses from 0.125" to 2.50". Snap-on spacer clips (3X) supplied for ceiling thickness below 0.50" only.

D1 STANDARD FLANGE PROFILE

Provides 0.86" total contractor (goof) allowance with 0.50" flange. Thickness measures 0.06". Wet location features integral silicone gasket.

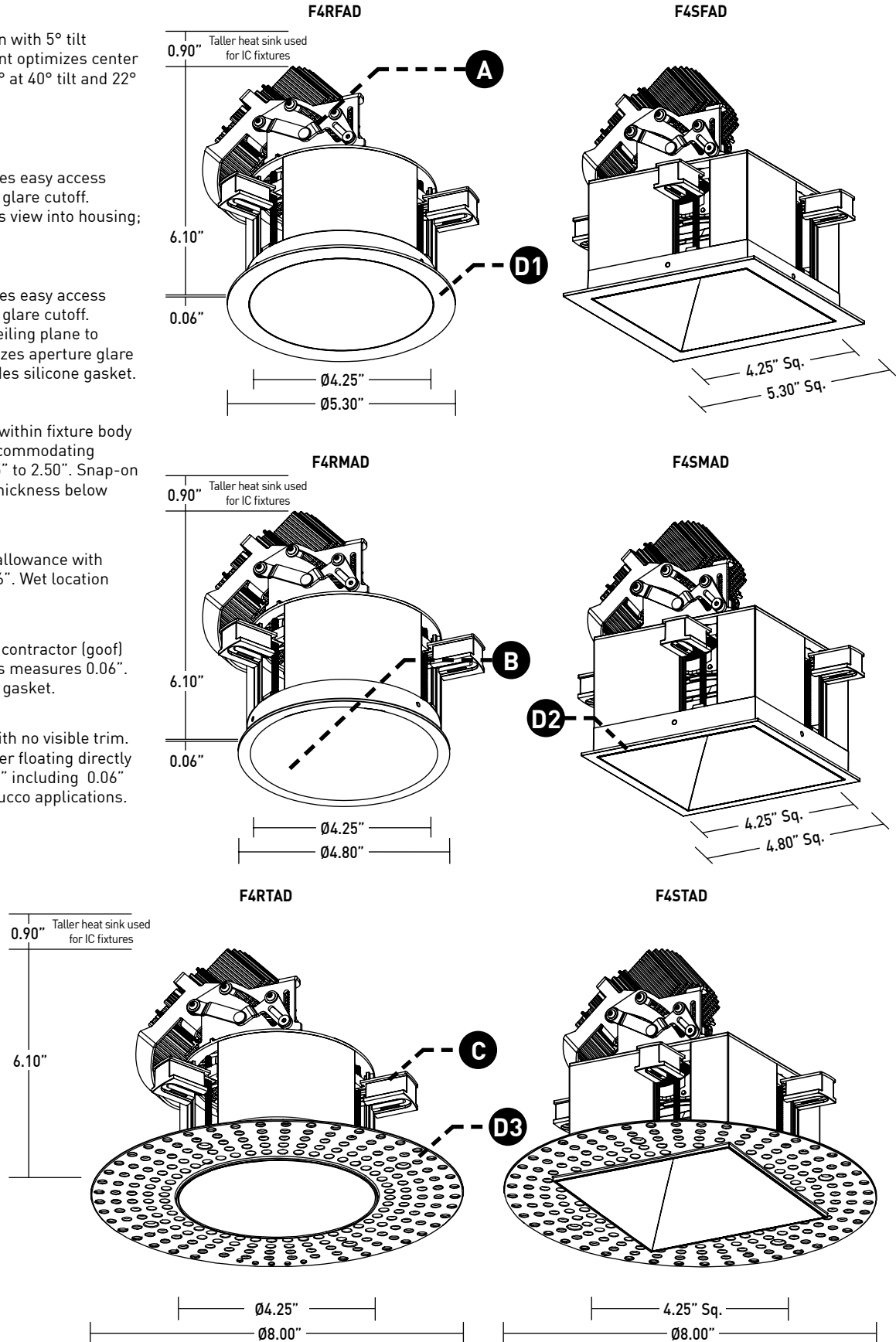
D2 MICROFLANGE PROFILE

Provides industry standard 0.42" total contractor (goof) allowance with 0.28" flange. Thickness measures 0.06". Wet location features integral silicone gasket.

D3 TRIMLESS PROFILE

Installs totally flush with the ceiling with no visible trim. Features integrated appliqué for plaster floating directly to the baffle, thickness measures 0.15" including 0.06" plaster stop. Not recommended for stucco applications.

DIMENSIONS / DRAWINGS



FRAZION4 DEEP REGRESS ADJUSTABLE

DOWNLIGHT / HOUSING

- E OPTIC**
Robust light engine with optimized optic pairing integrates Reflection, Refraction and TIR offering 10°, 15°, 20°, 25°, 40° & 60° beams.
- F MEDIA**
Soft focus lens included and sealed in Wet location option. Fixture is limited to 1 media. Suction tool provided for removal of Wet location baffles.

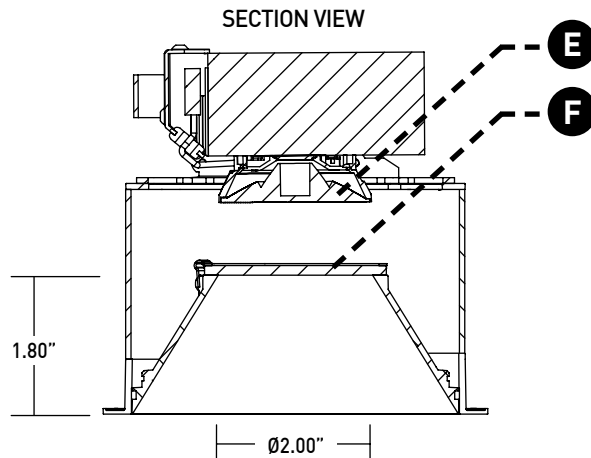
HOUSING / MOUNTING

- G ICT (IC) HOUSING - TALL**
 - For IC ceilings.
 - CCEA, Airtight and Title 24 (JA8) listed.
 - Accommodates max 2032 delivered lumens.
 - No setback from polycell spray foam insulation having max R-Value of 60 on all sides and top of housing.
- H NCT (NIC) HOUSING - TALL**
 - Minimum 0.50" setback from combustible and non-combustible materials on all sides and top of housing.
 - Minimum 3.00" setback from insulation material having max R-Value 30 on all sides and top of housing.
 - Minimum 6.00" setback from polycell spray foam insulation having max R-Value 60.
- I HOUSING COLLAR**
 - Requires 4.625" cutout.
 - Fixed round aperture or square aperture with 45 degree rotation that locks from below providing easy alignment of square aperture housings.
 - Accommodates varying ceiling thicknesses.
- J ATHENA / CASAMBI CONTROL**
Controls integrated into housing assembly. All equipment is serviceable.

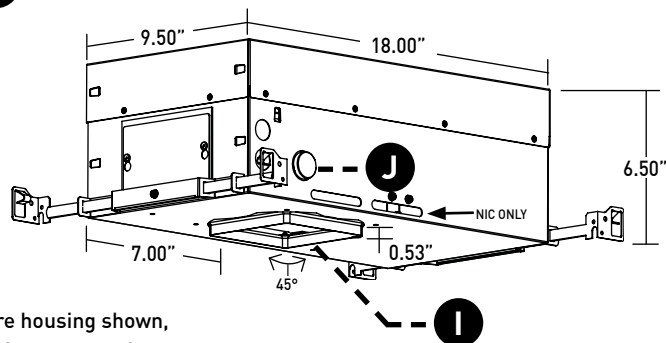
Athena Model Numbers: A-WN-D01-RF-BL & DFC-OEM-DBI

Casambi Model Number: BT-S1E1-5400
- K ADJUSTABLE HANGER BAR HEIGHT ACCESSORY**
Provided with ceiling thickness "T" and recommended for installations in T-Grid. Hanger bars are installed to adjustable bracket. Allows housing to be raised and lowered; ceiling thickness remains 0.5" to 2.50" max.

DIMENSIONS / DRAWINGS

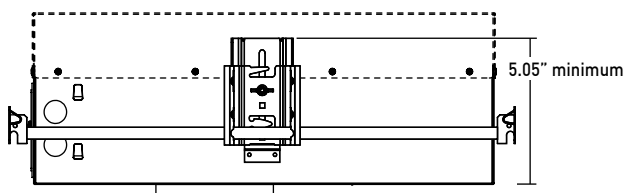


G / H



NOTE: Square housing shown, housing will feature round aperture for round fixtures.

K



HOUSING / MOUNTING NOTES

- Do not install in environments where ambient temperatures exceed 40°C (104°F).
- Power supply compartment and all splice connections may be serviced from room side.
- Consult factory for spacing requirements for any installations exceeding R-Value 60.
- Hanger bars fitted to short side of housing, and long side of Low Flux housings; extend from 14.0" to 24.0", but may be field cut to accommodate narrow stud spacing. Can be extended up to 46" maximum with FRX-HBE-46 kit. Hanger bars and brackets add 4.00" to the overall dimension, but are exclusive of the setback requirements.
- Driver assembly ships with trim, not housing. Housing and trim feature push nuts and lever nuts for ease of installation.

FRACTION4 DEEP REGRESS ADJUSTABLE

REMOTE POWER SUPPLY

L REMOTE APPLICATIONS

- Provided with install types "IR", "NR", "AR", and "RR".
- Requires plenum rated Class 2 cable between fixture and remote driver. Cable supplied by others.
- See page 8 for maximum allowable wiring distance.
- Must be installed in an accessible location
- Do not install in environments where ambient temperatures exceed 40°C (104°F).

M ATHENA / CASAMBI CONTROL

Controls integrated into remote driver assembly. All equipment is serviceable.

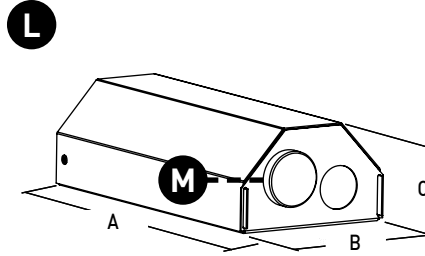
Athena Model Numbers: A-WN-D01-RF-BL & DFC-OEM-DBI

Casambi Model Number: BT-S1E1-5400

N ATHENA / CASAMBI EM SHUNT

Included with drivers specified as ASR, ATR, CSR, or CTR. One required for each wireless EM fixture, requires class 2 control wiring between fixture and shunt. Features integrated test switch.

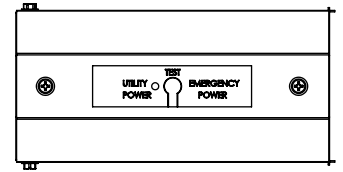
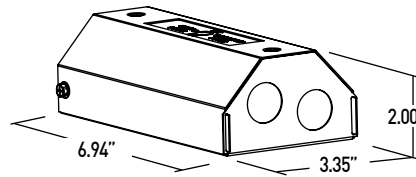
Model Number: PS-RMT-SHUNT



	A	B	C
<30W STATIC WHITE / WARM DIM	6.94"	3.35"	2.00"
30W STATIC WHITE	8.10"	5.00"	2.00"
TUNABLE WHITE	8.10"	5.00"	2.00"
ATHENA / CASAMBI CONTROLLED	8.10"	5.00"	2.00"



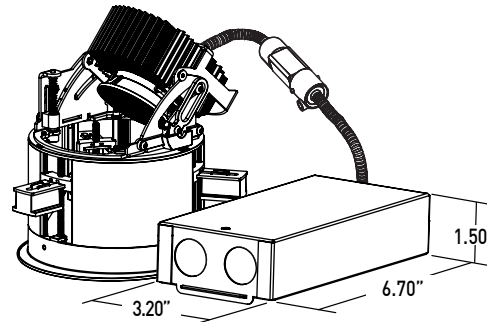
ATHENA / CASAMBI EM SHUNT



REMODEL POWER SUPPLY

O REMODEL WITH NON-IC TETHERED POWER SUPPLY

- Requires 4.42" cutout.
- Installs without conventional housing using integral mounting clamps.
- Tethered power supply / junction box with metal conduit protected wiring and quick-connect plug between fixture and power supply.
- Minimum 0.75" clearance from top of trim.
- Minimum setback from combustible and non-combustible materials of 6.63" radius from fixture centerline; minimum 3.00" from surfaces of power supply / junction box if not situated within above noted radius from fixture centerline.
- Minimum additional 3.00" setback from insulation material with max R-Value 30 from any surface of downlight fixture assembly.
- Minimum additional 6.00" setback from polycell spray foam insulation with max R-Value 60 from any surface of downlight fixture assembly.
- Do not install in environments where ambient temperatures exceed 40°C (104°F).
- All splice connections serviceable from room side.
- Consult factory for spacing requirements for any installations exceeding R-Value 60.



FRAZION4 DEEP REGRESS ADJUSTABLE

TECHNICAL

CONSTRUCTION

Downlight: Aluminum and steel. Extruded aluminum heat-sink. Painted finishes are granulated powder coat.

Housing: 22 Gauge galvanized steel.

Remote Power Supply: 22 Gauge galvanized steel.

Appliqué: Zinc Alloy

STATIC WHITE LED

2-step MacAdam ellipse LED module available in 80+, 90+ and 97+ CRI configurations in color temperatures of 2700K, 3000K, 3500K and 4000K. 3-step MacAdam ellipse LED module available in 90+ CRI configuration in color temperature of 2400K. Average rated lamp life of 50,000 hours. LED and driver assemblies are field-replaceable.

WARM DIM LED

3-step MacAdam ellipse warm dim LED module available in 90+ CRI configuration. 3000K or 2700K at full brightness, warming to 1800K at full dim. Average rated lamp life of 50,000 hours. LED and driver assemblies are field-replaceable.

TUNABLE WHITE LED

3-step MacAdam ellipse tunable white LED module available in 90+ CRI configuration. Features tuning ranges of 1800K to 4000K and 2700K to 5000K. Average rated lamp life of 50,000 hours. LED and driver assemblies are field-replaceable.

POWER SUPPLY PERFORMANCE AND DIMMING INFORMATION

Power Supply	ELV		ECO	0-10V							DALI-2			ATHENA		CASAMBI	
	TR2	L23	LH1	AN4	LN2	EA2	LA2	DL1	DG1	ED1	LD1	DD1	AS	AD	CS	CD	
Minimum °C	-20 °C	0 °C	0 °C	-20 °C	-20 °C	-20 °C	-20 °C	-20 °C	-20 °C	-20 °C	-20 °C	-20 °C	0 °C	0 °C	-20 °C	-20 °C	
Maximum °C	40 °C	40 °C	40 °C	40 °C	40 °C	40 °C	40 °C	40 °C	40 °C	40 °C	40 °C	40 °C	40 °C	40 °C	40 °C	40 °C	
Dimming %	2.0%	1.0%	1.0%	1.0%	1.0%	0.1%	0.1%	0.1%	0.1%	0.1%	0.1%	0.1%	0.1%	0.1%	0.1%	0.1%	

Note: For TR2, L23, LH1, LP1, AN4, EA2 and LA2 drivers consult chart on page 9 to confirm appropriate dimming curve for compatibility with selected control.

MAXIMUM ALLOWABLE REMOTE DRIVER WIRING DISTANCES

DRIVER	WIRE AWG				
	12	14	16	18	20
TR2, AN4, LN2	285'	180'	113'	71'	45'
L23, LH1	60'	40'	25'	15'	-
EA2, LA2, ED1, LD1, DG1, DL1, DD1, AS, AD, CS, CD	-	-	118'	72'	46'

LISTING

cTUVus listed to UL1598 standard for Dry / Damp and Wet locations. CCEA, Airtight and Title 24 JA8-2022 Listed.

NEMA 410 Compliant.

U.S. Patent: 10,344,958

DECLARE

LBC Red List Approved.

WEIGHT

Trim - 3 lbs max

IC Housing - 7 lbs

NIC Housing - 6 lbs

Remote / Remodel Driver - 1.4 lbs

LIMITED WARRANTY

Manufacturer's Limited Warranty guarantees product(s) listed to be free from defects in material and workmanship under normal use and service for 1-year. LED and power supplies are warranted to operate with 70% of original flux and remain within a range of 3 duv for a period of 5-years.

10-year Lutron Advantage limited warranty available on Lutron equipped systems. Warranty period begins from the date of shipment by Seller.

Consult website for full warranty terms and conditions.

CHANGE LOG

- 04/07/2022: REMOVED REMOTE REMODEL ACCESSORY KIT PSF4-RMT-AK.
- 10/17/2022: REMOVED 90W13A 3200K-1800K WARM DIM AND ADDED 90W12A 3000K-1800K WARM DIM.
- 04/26/2023: ADDED DECLARE LBC RED LIST APPROVED.
- 08/08/2023: ADDED NEW LED AND OPTIC SYSTEM.
- 02/08/2024: ADDED ATHENA AND CASAMBI CONTROL OFFERING, 2400K, AND WARM PROFILE TUNABLE WHITE.
- 03/27/2024: UPDATED CASAMBI TO REMOTE OFFERING ONLY.



FRACTION4 DEEP REGRESS ADJUSTABLE

DIMMING COMPATIBILITY

PHILIPS DRIVER COMPATIBILITY

Power supply TR2 Manufacturer	Family/Model #
Lutron Electronics	DV-600P
Lutron Electronics	DVELV-303P
Lutron Electronics	NTELV-600
Lutron Electronics	MAELV-600
Lutron Electronics	SELV-300P
Lutron Electronics	DVLV-600P
Lutron Electronics	NFTU-5A
Lutron Electronics	CTCL-153P
Lutron Electronics	GL-600H
Lutron Electronics	S-600P
Lutron Electronics	PHPM
Power supply AN4 Manufacturer	Family/Model #
Lutron Electronics	DVTV plus PP-DV
Lutron Electronics	DVSCTV plus PP-DV
Lutron Electronics	DVSTV
Lutron Electronics	DVSCSTV
Lutron Electronics	QSGRJ-XP plus GRX-TVI
Lutron Electronics	QSGRJ-XE plus GRX-TVI
Lutron Electronics	QSGR-XE plus GRX-TVI
Lutron Electronics	NFTV plus PP-DV
Lutron Electronics	NTSTV
Lutron Electronics	RMJ-5T
Lutron Electronics	RMJS-8T
Lutron Electronics	FCJS-010
Leviton	IlumaTch IP7 series
Philips	Sunrise - SR1200ZTUNV

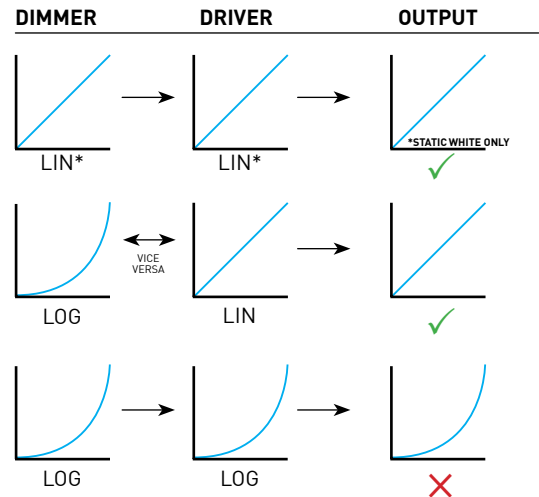
LUTRON DRIVER COMPATIBILITY

Power supply L23 Lutron Product Family	Part No.
Maestro WirelessR 600 W dimmer	MRF2-6ND-120-
Maestro WirelessR 1000 W dimmer	MRF2-10ND-120-
Caséta® Wireless Pro 1000 W dimmer	PD-10NXD-
GRAFIK T™ CL® dimmer	GT-250M-GTJ-250M-
HomeWorks® QS adaptive dimmer	HQRD-6NA-
HomeWorks® QS 600 W dimmer	HQRD-6ND-
HomeWorks® QS 1000 W dimmer	HQRD-10ND-
RadioRA® 2 adaptive dimmer	RRD-6NA-
RadioRA® 2 1000 W dimmer	RRD-10ND
myRoom™ DIN power module	MQSE-4A1-D
HomeWorks® QS DIN power module	LQSE-4A1-D
HomeWorks® QS wallbox power module	HQRJ-WPM-6D-120
HomeWorks® wallbox power module	HWI-WPM-6D-120
GRAFIK Eye® QS control unit	QSGR-, QSGRJ-
GRAFIK Eye® 3000 control unit	GRX-3100-GRX-3500-
RPM-4U module (LCP, HomeWorks® QS, GRAFIK Systems™, Quantum®)	HW-RPM-4U-120 LP-RPM-4U-120
RPM-4A module (LCP, HomeWorks® QS, GRAFIK Systems™, Quantum®)	HW-RPM-4A-120, LP-RPM-4A-120
GP dimming panels	Various
Ariadni CL 250W dimmer	AYCL-253P-
Diva CL 250W dimmer	DVCL-253P-DCSCCL-253P-
Nova T CL 250W dimmer	NTCL-250-
Power supply LH1 Lutron Product Family	Part No.
PowPak Dimming Modules	RMJ-ECO32-DV-B
PowPak Dimming Modules	FCJ/FCJS-ECO
Energi Savr Nodes	QSN-1ECO-S
GRAFIK Eye QS control unit	QSN-2ECO-S
Homeworks QS control unit	QSGRJ- _E (wireless) QSGR- _E
Quantum Hub	QP2-__ 2C
Quantum Hub	QP2-__ 4C
Quantum Hub	QP2-__ 6C
Quantum Hub	QP2-__ 8C
Homeworks QS power module	LQSE-2ECO-D
myRoom Plus power module	

eldoLED DRIVER COMPATIBILITY

Power supply EA2 Manufacturer	Family/Model #
Busch-Jaeger	2112U-101
Jung	240-10
Leviton Lighting Controls	IP710-DLX
Lightolier Controls	ZP600FAM120
Merten	5729
Pass & Seymour	CD4FB-W
The Watt Stopper	DCLV1
Synergy	ISD BC
Crestron®	GLX-DIMFLV8
Crestron®	GLXP-DIMFLV8
Crestron®	GLPAC-DIMFLV4-*
Crestron®	GLPAC-DIMFLV8-*
Crestron®	GLPP-DIMFLVEX-PM
Crestron®	GLPP-1DIMFLV2EX-PM
Crestron®	GLPP-1DIMFLV3EX-PM
Crestron®	DIN-A08
Crestron®	DIN-4DIMFLV4
Crestron®	CLS-EXP-DIMFLV
Crestron®	CLCI-1DIMFLV2EX
Power supply LA2 Manufacturer	Family/Model #
Lutron Electronics	Nova T® - NTFTV
Lutron Electronics	Diva® - DVTV
Lutron Electronics	Nova® - NFTV
Lutron Electronics	GrafixEye® GRX-TVI w GRX3503
Lutron Electronics	Energy Savr Node™ - QSN-4T16-S
Lutron Electronics	TVM2 Module
Sensor Switch	nIO EZ
ABB	SD/S 2.16.1

ANALOG DRIVERS AND DIMMERS



LIN = LINEAR
 LOG = LOGARITHMIC
 *LIN-TO-LIN NOT COMPATIBLE FOR WARM-DIM OR TUNABLE WHITE

