

INSTALLATION INSTRUCTIONS

STELLR® PENDANT

RECESSED MOUNT DOWNLIGHT AND WAVEGUIDE FIXTURE



INSTALLATION NOTES

Read all instructions before beginning installation.

Disconnect power before beginning installation.

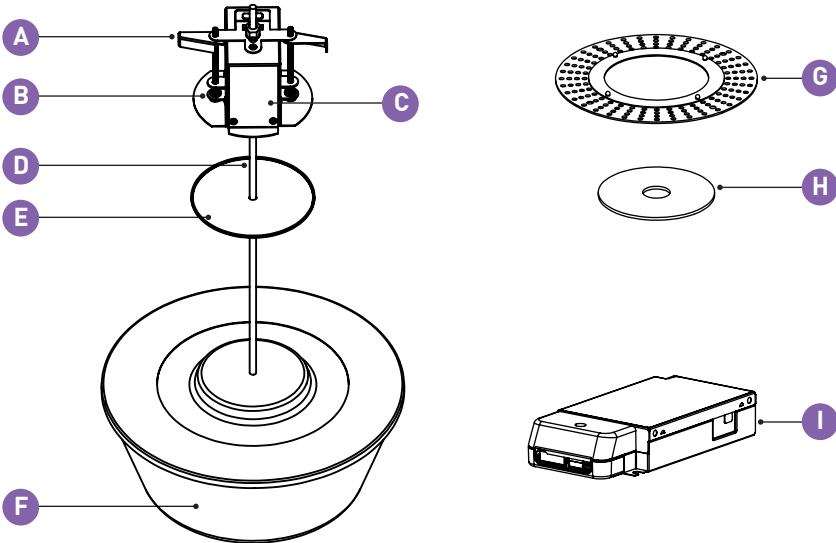
Wear clean non-abrasive gloves when handling fixture.

Do not remove protective cover or film until Step 8.

The light sources contained in this luminaire shall only be replaced by the manufacturer or his service agent or a similar qualified person.

PART ID	ITEM	QTY.	NOTES
A	Retaining Clamps	2	
B	Retaining Screws	2	
C	Mounting Adaptor	1	
D	Cable	1	
E	Canopy Plate	1	
F	Fixture	1	
G	Zero-Sightline Appliqué	1	Only provided with Zero-Sightline applications.
H	Zero-Sightline Appliqué Mud Plug	1	Only provided with Zero-Sightline applications.
I	Driver	Varies	
NOT SHOWN IN DIAGRAM			
	Protective Cover	1	Ships attached to fixture body
	Protective Film	1	Ships attached to waveguide

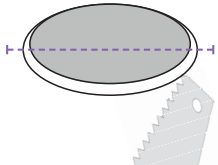
KIT OF PARTS



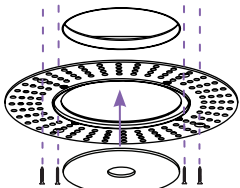
INSTALLATION INSTRUCTIONS

1 Cut clean hole in ceiling.

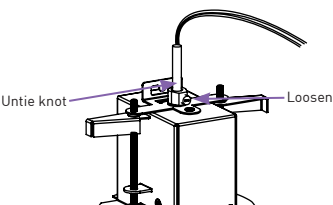
Flange Overlay - 3.8125" (97mm) required ceiling cutout
Zero-sightline - 5.00" (127mm) required ceiling cutout



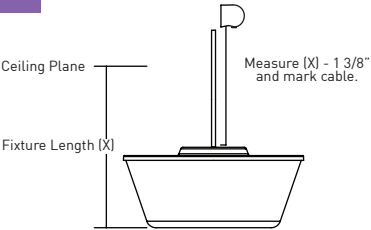
2 Install zero-sightline appliqué and mud plug if applicable using the factory supplied drywall screws, otherwise proceed to step 6.



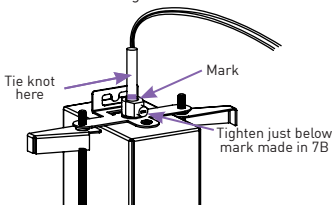
3A Untie knot above strain relief, turn cable retainer screw counter-clockwise to loosen. Remove cable retainer, mounting adaptor and cover plate from cable.



3B Measure cable to length.



3C Install cover plate, mounting adaptor and cable retainer on cable. Tighten retainer screw and tie knot in cable. Cut and strip cable above the knot leaving 6" of wire to make wiring connections.



4

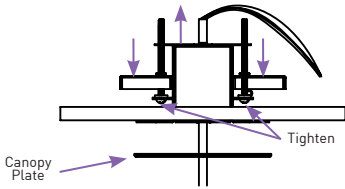
Make line/mains voltage and control connections to driver(s) referencing the wiring diagrams on page 4.

5

Make wiring connections from driver(s) to pendant cable referring to the wiring diagrams on page 4 using factory supplied connectors. Place drivers atop ceiling.

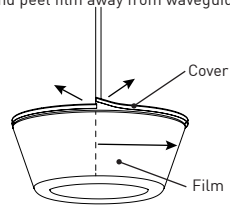
7

Raise mounting cartridge and tighten retaining screws until the bottom of the cartridge is flush with the ceiling plane. Raise canopy plate.



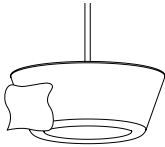
8

Upon completion of finish out, remove protective cover and peel film away from waveguide.



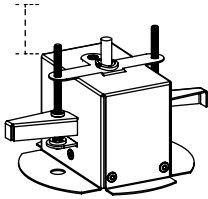
9

Factory recommends cleaning waveguide assembly with a microfiber cloth or similar non-abrasive cloth. In most cases a damp microfiber cloth will remove dust/debris or fingerprints. For stubborn stains, approved cleaning agents include soap and water, or ammonia based cleaners.

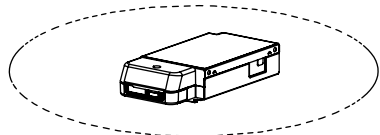


SETBACK REQUIREMENTS

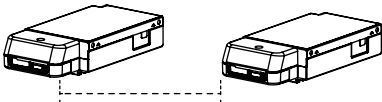
Minimum 1.25" (32mm) setback from top of mounting cartridge to R30 material.



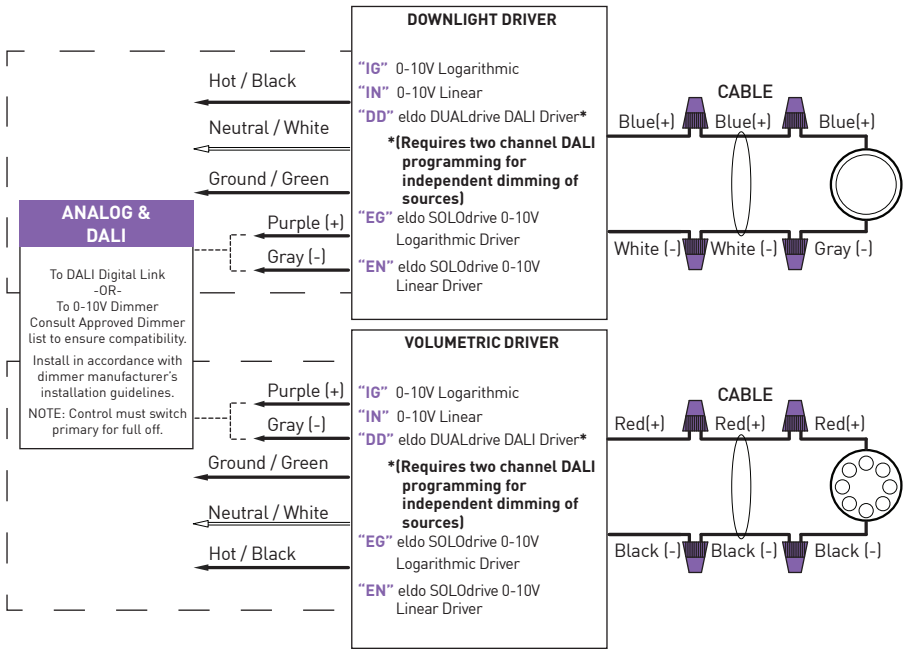
Minimum 8" (204mm) setback from sides of drivers to R30 material.



Minimum 3" (77mm) setback between drivers.



GENERAL NOTES



FOR FULL WARRANTY INFORMATION AND COMPREHENSIVE INSTALLATION GUIDE, PLEASE VISIT WWW.LUCIFERLIGHTING.COM.

[DATE OF REV: 09102020]

[LIT-INT-STELLR-RECESSED-AUG20]



luciferlighting.com
[PH] +1-210-227-7329
[FAX] +1-210-227-4967

©2020 Lucifer® Lighting Company
As part of its policy of continuous research and product development, the company reserves the right to change or withdraw specifications without prior notice.

