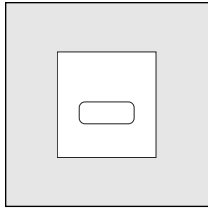


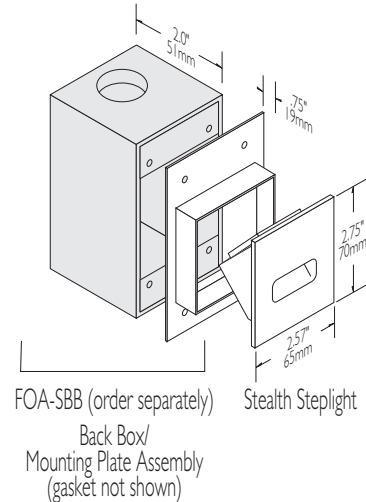
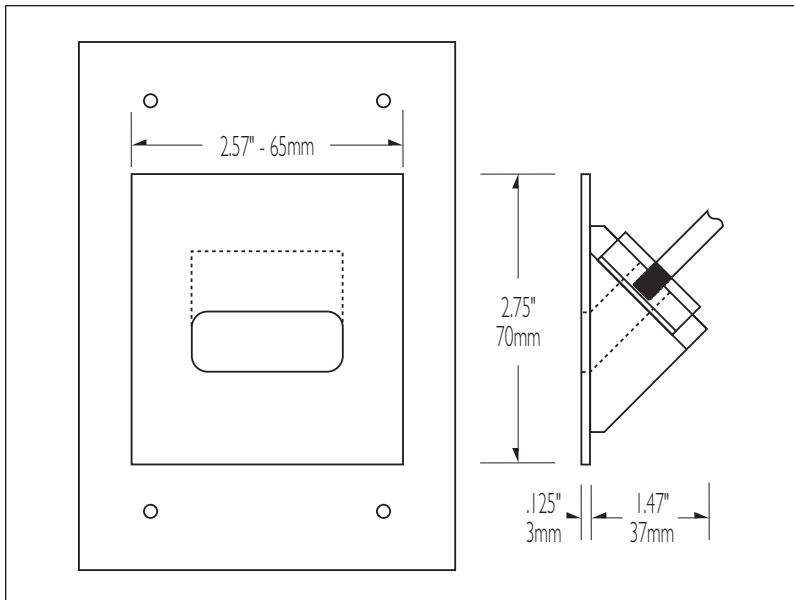
SSL-FO Stealth® Steplight

RECESSED FIBER OPTIC LUMINAIRE

PROVISIONAL PRODUCT SPECIFICATION



Cat. No.	Finish
SSL-FO-BR	Brushed Bronze
SSL-FO-N	Natural Bronze Finish
SSL-FO-W	Matte White
SSL-FO-B	Matte black



SSL-FO STEALTH STEPLIGHT

GENERAL DESCRIPTION

Stealth steplight, configured for fiber optic use, is a recessed square luminaire with a deeply regressed slot aperture to control glare. The light source is fiber optic cable coupled to a remote illuminator source. A linear spread glass lens elongates the beam for step and walkway lighting applications. Fixture suitable for use in dry, damp and wet locations.

MATERIAL

Fixture is solid bronze with stainless steel mounting plate.

FINISH

Available in brushed bronze, natural finish, or powder coated white or black.

MOUNTING

Optimum mounting height is 18-36 inches above grade. Mounting plate functions as an aperture reducing plaster flange and retainer for stealth fixture. If for use in wet locations, the back box assembly shown in the illustration above must be separately specified.

ELECTRICAL

There is no lamp, electrical parts or wiring in the Stealth steplight other than provision for fiber optic cable (order separately). Lamp illumination provided from remote mounted illuminator source (order separately).

FIBER COMPATIBILITY

The Stealth fiber optic steplight is machined to receive fiber of a designated diameter. Accordingly, specify the acceptance (core) diameter of the fiber as follows:

Core Diameter	S8	S14	S24	S36
	1/8"	5/32"	3/16"	1/4"
FBGE (Glass)	●	●	●	●
FBPE (Solid Core Plastic)				●
FBSE (Stranded Plastic)				

PHOTOMETRY

Consult factory for availability of photometric data.

PATENT

U.S. patent pending.

LUCIFER
LIGHTING COMPANY

414 Live Oak Street
San Antonio, Texas 78202
Phone 210 227-7329
FAX 210 227-4967
www.luciferlighting.com

©2004 Lucifer Lighting Company

As part of its policy of continuous research and product development, the Company reserves the right to change or withdraw specifications without prior notice.