

DESCRIPTION

A General

Small profile, self-trimming linear lighting fixture for delineation of corridors, divider wall caps, and other applications; two nesting extrusions enclose light strip; fabricated in lengths up to 120" (3048mm)

B Special Features

Inner extrusion easily removed from outer extrusion for lamp change; lamps may be mounted 2" (51mm) or 4" (102mm) on-center

C Effects devices

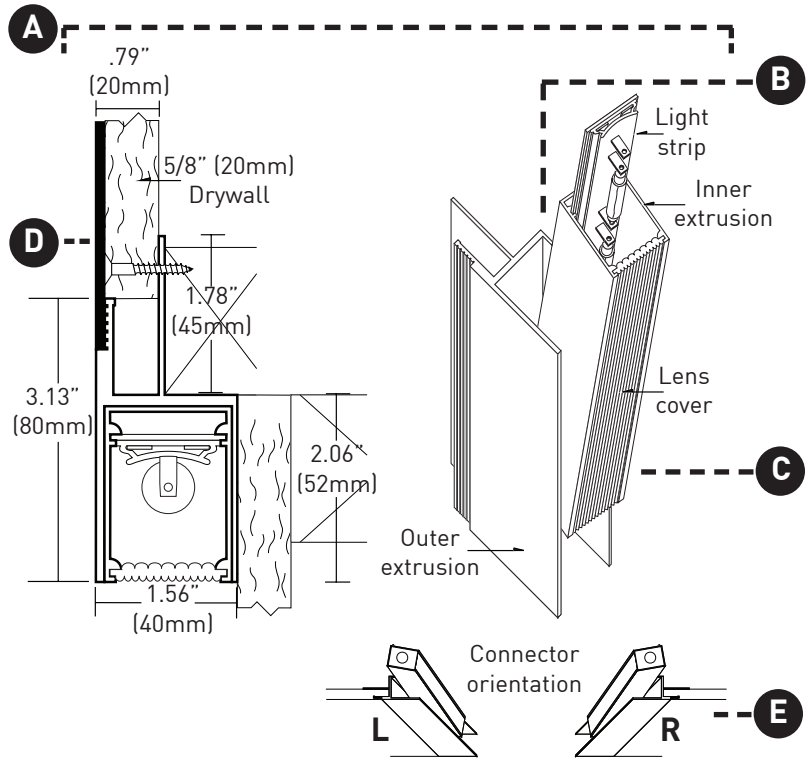
Polycarbonate diffusion lens cover standard; frosted, non-ribbed lens cover may be specified in place of standard lens cover

D Mounting

Outer extrusion designed as a "self-trimming" offset lighting cove; readily accepts up to 5/8" (16mm) drywall/ plasterboard; ribbed "plaster lock" flange allows convenient taping and floating for seam free finish

E Connection

Specify left or right side electrical connector orientation



TECHNICAL

CONSTRUCTION

Housing: Inner and outer housings are extruded aluminum; light strip is supported by a steel carrier strip; lens cover is extruded polycarbonate

Light Strip: Polyethersulfone thermoplastic with solid brass conductors

ELECTRICAL

Fixture is rated at 20 amps and comes complete with terminal block and fitting support for hardwire connection to power supply. Fixture is compatible with 12V power supply (order separately) sized appropriately for the application.

LAMPS

Stria utilizes 3W incandescent festoon lamps only. 2450 °K color temperature. Average rated lamp life is 4,000 hours. Standard lamp spacing is 2" (51mm) on-center.

LISTING

ETL listed for dry/damp locations; CE marked

WARRANTY

Manufacturer's one year warranty guarantees product(s) listed to be free from defects in material workmanship under normal use and service. Warranty is conditional upon use of manufacturer supplied transformer or ballast.

ORDERING INFORMATION

Example: STR-W-072-L-D-12-03-IC

SERIES	FINISH	LENGTH	CONNECTOR ORIENTATION	LENS COVER	LAMP
STR STRIA	A Clear Anodized Aluminum W Matte white powdercoat B Matte black powdercoat	in inches*	L Left side R Right side	D Diffusion F Frosted	12-03-IC 3W incandescent clear 12-03-IF 3W incandescent frosted

* Custom cut-to length provided by specifier; max length 120" (3048mm)