

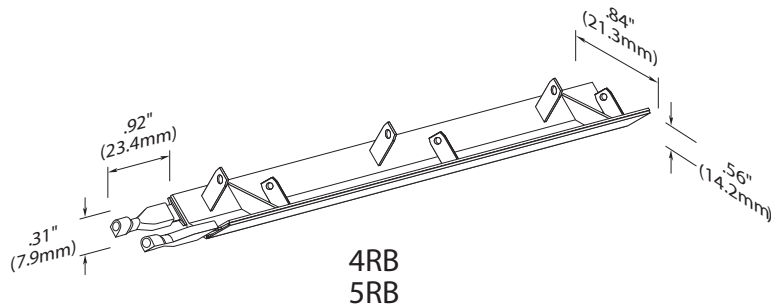
LINEAR LIGHT STRIP

SERIES 400-500

PRODUCT SPECIFICATION

| Product | Cat. No. | Finish | Lamp Options |
|------------|----------|---------------|--|
| Series 400 | 4RB | Black | Incandescent 12v/24v 3w, 5w |
| Series 500 | 5RB | Mirror Plated | Xenon 12v/24v 3w, 5w Halogen 12v/24v 5w, 20w Bi-pin Xenon 12v/24v 5w |

LIGHT STRIP WITH CRIMP-ON SPADE CONNECTORS



GENERAL DESCRIPTION

Miniature linear lighting system for low voltage applications. 5/8 inch high with lamp by 7/8 inch wide. Series 400 is black for color integration with optional halogen socket accessories. Series 500 is mirror plated. Both series are sold in lengths up to a maximum of 10 ft. (3.04m) at 24v or 5 ft. (1.52m) at 12v (See Electrical for specifics). Fixture comes complete with crimp-on spade connectors. Light Strip utilizes 12v or 24v incandescent and xenon festoon lamps which may be mounted 2 1/8 inches (54mm) or 4 1/4 inches (108mm) on center standard. Refer to lamp table on reverse side for festoon lamp options. Halogen and bi-pin xenon lamp options also available. Remote 12v or 24v transformer required.

MOUNTING

Light Strips come with double-sided foam tape. Peel away tape liner and press strip onto clean, dry mounting surface. Additional attachment must be made with #4 screws installed through pilot holes provided. Light Strips may be easily cut to required field dimensions with saw or nippers. Burrs should be removed after cutting product. Light Strip requires adequate ventilation to dissipate heat generated during operation. Care should be taken to avoid placing Light Strip in confined areas. Allow 4" to 6" set back from combustible and heat sensitive materials.

MATERIAL

Light Strip made of Ryton high temperature thermoplastic with solid brass conductors. Thermal deflection temperature of plastic is 420°F (215 °C) at 264 PSI.

LABEL

Both Series are U.L. Class II listed when used with U.L. Class II listed isolation transformers; 60 watts maximum run. File No. E71480.

ELECTRICAL

Light Strip rated at 11.25 amps. U.L. Class II listing restricted to use of Class II transformers. Total wattage on Light Strip cannot exceed 135w on a 12v system or 270w on a 24v system. The lamp's voltage, watts, and spacing combination will determine maximum length allowed on Light Strip.

OPTIONS

Horizontal (5w max) and rotatable (20w max) halogen sockets may be inserted in Light Strip. Polished brass and chrome housings are offered in right-angle and round profiles for recess of Light Strip in glass shelving, display case and decorative applications.

PATENTS

U.S. and other foreign patents. An Agabekov system.

WARRANTY

Manufacturer's one year warranty of product is conditioned on use of manufacturer supplied remote transformers.

LUCIFER
LIGHTING COMPANY

3750 IH35 North
San Antonio, Texas 78219
Phone 210 227-7329
FAX 210 227-4967
www.luciferlighting.com

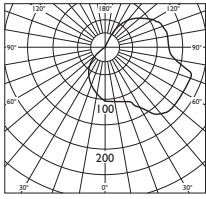
©2009 Lucifer Lighting Company
As part of its policy of continuous research and product development, the Company reserves the right to change or withdraw specifications without prior notice.

031009

LINEAR LIGHT STRIP

SERIES 400-500

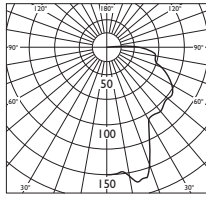
PHOTOMETRICS



SERIES 500
With twenty-one 24v 5w clear incandescent lamps. For 3 watt multiply x .27. Add 4.93 CP for each additional 5 watt lamp. Tested at 45° off nadir.

| CANDLEPOWER SUMMARY | | |
|---------------------|--------|---------------|
| Angle | Across | Output Lumens |
| 0 | 103 | |
| 5 | 108 | 5 |
| 15 | 111 | 15 |
| 25 | 122 | 24 |
| 35 | 161 | 36 |
| 45 | 176 | 47 |
| 55 | 176 | 52 |
| 65 | 176 | 55 |
| 75 | 162 | 53 |
| 85 | 126 | 42 |
| 90 | 122 | |
| 95 | 122 | 33 |
| 105 | 122 | 32 |
| 115 | 114 | 30 |
| 125 | 99 | 23 |
| 135 | 81 | 16 |
| 145 | 64 | 7 |
| 155 | 32 | 2 |
| 165 | 4 | 0 |
| 175 | 0 | 0 |
| 180 | 0 | 0 |

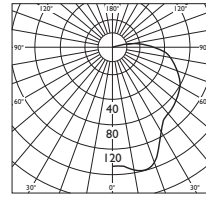
Efficiency = 71.7% S/MH = 2.2 SC = 2.2



SERIES 500
With twenty-one 24v 5w clear xenon lamps. Add 7.09 CP for each additional 5 watt lamp.

| CANDLEPOWER SUMMARY | | |
|---------------------|--------|---------------|
| Angle | Across | Output Lumens |
| 0 | 149 | |
| 5 | 150 | 14 |
| 15 | 163 | 43 |
| 25 | 129 | 64 |
| 35 | 97 | 71 |
| 45 | 94 | 72 |
| 55 | 91 | 68 |
| 65 | 80 | 59 |
| 75 | 58 | 46 |
| 85 | 51 | 35 |
| 90 | 40 | |
| 95 | 21 | 14 |
| 105 | 1 | 1 |
| 115 | 0 | 0 |
| 125 | 0 | 0 |
| 135 | 0 | 0 |
| 145 | 0 | 0 |
| 155 | 0 | 0 |
| 165 | 0 | 0 |
| 175 | 0 | 0 |
| 180 | 0 | 0 |

Efficiency = 77.5% S/MH = 1.0 SC = 1.0



SERIES 500
With twenty-one 24v 5w frosted xenon lamps. Add 6.28 CP for each additional 5 watt lamp.

| CANDLEPOWER SUMMARY | | |
|---------------------|--------|---------------|
| Angle | Across | Output Lumens |
| 0 | 132 | |
| 5 | 133 | 13 |
| 15 | 140 | 38 |
| 25 | 118 | 58 |
| 35 | 97 | 67 |
| 45 | 93 | 68 |
| 55 | 87 | 64 |
| 65 | 79 | 56 |
| 75 | 67 | 46 |
| 85 | 55 | 35 |
| 90 | 45 | |
| 95 | 33 | 19 |
| 105 | 11 | 6 |
| 115 | 3 | 1 |
| 125 | 0 | 0 |
| 135 | 0 | 0 |
| 145 | 0 | 0 |
| 155 | 0 | 0 |
| 165 | 0 | 0 |
| 175 | 0 | 0 |
| 180 | 0 | 0 |

Efficiency = 75.0% S/MH = 1.2 SC = 1.2

Photometrics by Lighting Sciences, Inc., Scottsdale, Arizona, a nationally recognized testing facility serving the illumination industry, in accordance with current IES published procedures. Beam width to 50% maximum candlepower. To convert to lux, multiply footcandles x 10.75.

FESTOON LAMP OPTIONS



Lamps Available

Incandescent
Clear

Incandescent
Frosted

Xenon
Clear

Xenon
Frosted

Lamp Envelope
Maximum Overall Length
Maximum Overall Diameter
Color Temperature
Average Life

SV8.5-8
1.74" (44mm)
.40" (10mm)
2450°K
4000 Hrs.
12v 5w

SV8.5-8
1.74" (44mm)
.40" (10mm)
2450°K
4000 Hrs.
24v 5w

SV8.5-8
1.74" (44mm)
.40" (10mm)
2800°K
>20,000 Hrs.
12v 5w

SV8.5-8
1.74" (44mm)
.40" (10mm)
2800°K
>20,000 Hrs.
12v 5w

24v 3w
24v 5w

24v 5w

24v 3w
24v 5w