



PUKLED®

LPK-ALED
WITH HIDDEN FASTENERS

LPK-ALED

DESCRIPTION

A General

Small scale LED fitting with hidden fasteners; suitable for dry or wet, interior or exterior applications

B Special Features

Machined aluminum body; dimmable 3W AC LED (dimming by power supply); LED module is replaceable

C Effects Devices

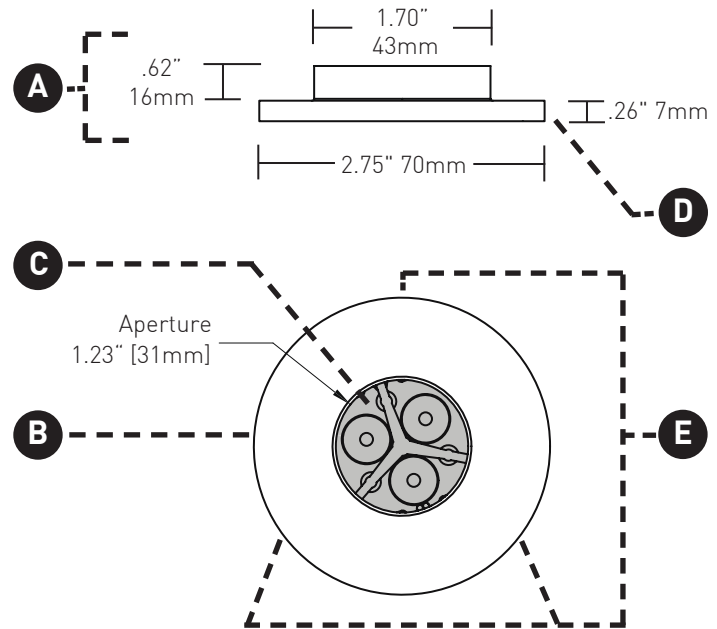
Standard with 20° spot proprietary lens (NSL-5) and soft focus lens (SFL-5); note on specification if either is not required; may accept one effects device in place of soft focus lens; consult factory for availability of colored gels and flood and wide flood configurations

D Mounting

Semi-recessed mount; thickness over mounting plane is .26" (7mm); for wet location and well-light applications see page 2

E Retention

Mounting screws included and concealed by machined screw-on cover; fitting requires minimum panel depth of .75" (19mm) to fully conceal fitting and provide adequate remaining material in panel after boring



TECHNICAL

CONSTRUCTION

Fitting: Machined aluminum

Mounting: Back box is thermoplastic polymer (see page 2)

ELECTRICAL

Fixture is pre-wired with 18 AWG 10' (3m) lead. The system requires a proprietary remote driver assembly (PSA-60-12H dimmable power supply with hardwire transformer or PSA-60-12P plug-in transformer (must meet transformer's minimum wattage requirement), each order separately). Maximum recommended run length is 30 feet with 18 AWG wire (consult factory for custom lengths). Each power supply is capable of powering up to 18 luminaires. See page 3 for PukLED AC power supplies.

LED

The standard 3W AC LED is available in color temperatures of 3200 °K (15.2 lm/watt) and 4700 °K. Average rated lamp life of 50,000+ hours.

LISTING

ETL listed for dry, damp, wet and marine locations; CE marked; IP65 rated

WARRANTY

Manufacturer's one year warranty guarantees product(s) listed to be free from defects in material workmanship under normal use and service. Warranty is conditional upon use of manufacturer supplied transformer or ballast.

ORDERING INFORMATION (fitting)

Example: LPK-ALED-3K-A

SERIES	COLOR TEMP	FINISH	ACCESSORIES
LPK-ALED Standard PukLED	3K 3200 °K	A Clear Anodized Aluminum	WTL-5 Warm Tone Lens
LPK-ALED-WET PukLED with sealed lens for wet location (see page 2)	5K 4700 °K	W White Powdercoat	CGL-5 Clear Glass Lens
LPK-ALED-WELL PukLED with sealed polycarbonate lens for well-light application (see page 2)		B Black Anodized Aluminum	SGL-5 Spread Glass Lens
			FGL-5 Frosted Glass Lens
			LSL-5 Linear Spread Lens
			HCL-5 Honeycomb Louver

page 1

LUCIFER LIGHTING COMPANY

luciferlighting.com

©2009 Lucifer Lighting Company
As part of its policy of continuous research and product development, the company reserves the right to change or withdraw specifications without prior notice.

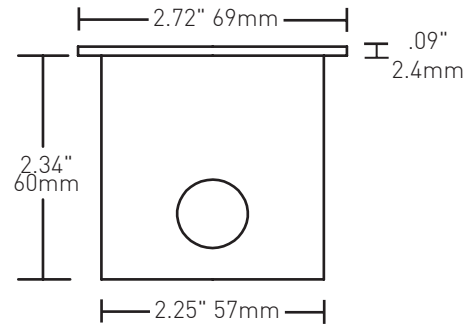
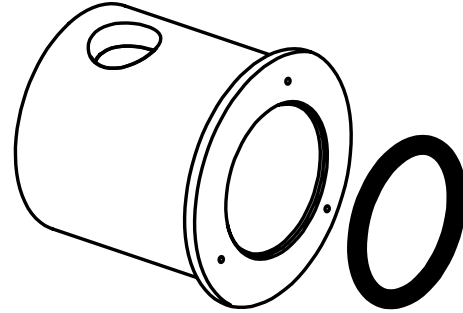
3750 IH35 North
San Antonio, Texas 78219
[PH] +1-210-227-7329
[FAX] +1-210-227-4967

[021910]

WET LOCATION AND WELL-LIGHT FITTINGS

IP65 rated PukLED available for use in wet locations and as an in-grade well-light (not submersible). These fittings feature sealed lenses (soft focus glass on LPKF-ALED-WET and impact resistant polycarbonate on LPKF-ALED-WELL) and include gaskets for use with PLA-BB back box, which is recommended with LPKF-ALED-WET and comes standard with LPKF-ALED-WELL. Consult factory if a sealed lens is required other than a soft focus lens.

PLA-BB



ORDERING INFORMATION (mounting)

[Empty rectangular box for ordering information]

MOUNTING OPTION

PLA-BB Back Box assembly for wet location installations
(Recommended for use with LPK-ALED-WET
Included with LPK-ALED-WELL)

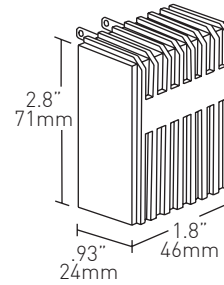


DESCRIPTION

PSA-60-12P

Power supply for plug-in applications, Class II 120V primary, 12V secondary, 60W capacity electronic transformer.

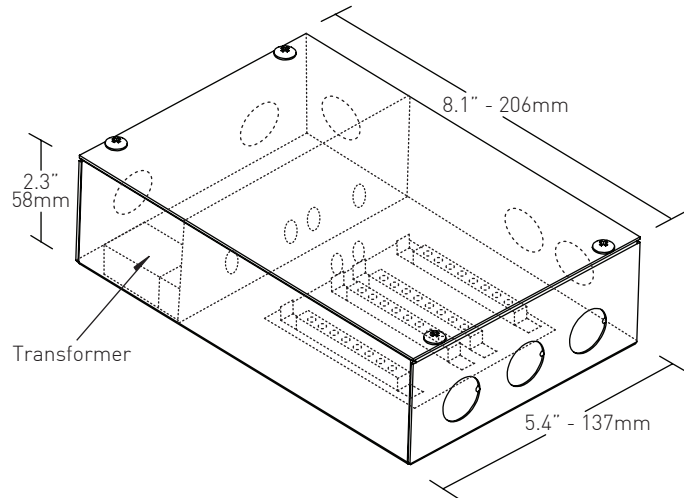
PSA-60-12P



PSA-60-12H

Dimmable power supply for hardwire applications. Consists of a steel compartment with integral conventional Class II 120V primary, 12V secondary, 75W capacity electronic transformer. Integral terminal block allows for wiring of up to 18 luminaires.

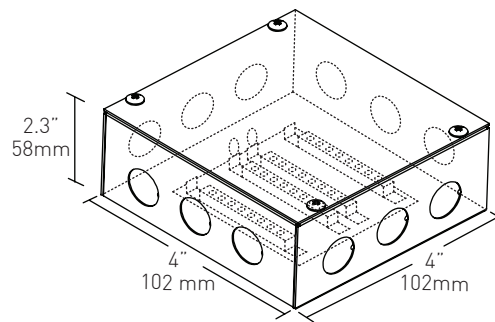
PSA-60-12H



PSA-DB

Non-powered distribution box recommended for power management if plug-in power supply is chosen. Steel compartment includes integral terminal block which allows for wiring of up to 18 luminaires.

PSA-DB



ORDERING INFORMATION (power supply)

--

POWER SUPPLY OPTION

- PSA-60-12P** Plug-in transformer
- PSA-60-12H** Dimmable power supply with hardwire transformer
- PSA-DB** Distribution box for use with plug-in transformer