



FUSION™

FLM-1 LED LIGHTING MODULE
FLS-1 LED LIGHT STRIP

FUSION

DESCRIPTION

A General

Linear LED array in carrier assembly with polycarbonate lens; 10" (254mm) FLM-1 allows interconnection of multiple modules up to 120" (3048mm); FLS-1 is an uninterrupted light strip available in specified lengths up to 120" (3048mm)

B Special Features

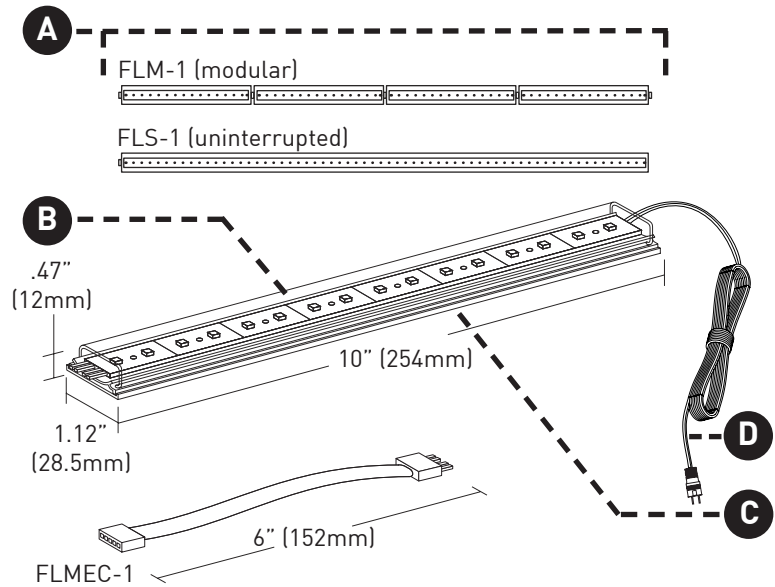
Single array of solid state LEDs available in warm and cool color temperatures

C Mounting

Fitting secures to mounting surface with provided double sided tape

D Plug / Connector

Supplied with 72" (1829mm) LED supply wire; FLM-1 features integral power and extension connectors to interconnect (without tools) up to 120" (3048mm) per circuit; model FLMEC-1 6" (152mm) extender cable accommodates applications requiring flexibility



TECHNICAL

CONSTRUCTION

Carrier Assembly: Polysulfone extrusion

Lens: Polycarbonate extrusion

LED strip: Epoxy matrix circuit board

ELECTRICAL

1.5W per foot (305mm); see page 2 for DC power supplies.

LED

Available in warm or cool color temperatures. Average rated lamp life of 50,000+ hours.

LISTING

ETL listed for dry/damp locations; CE marked

WARRANTY

Manufacturer's one year warranty guarantees product(s) listed to be free from defects in material workmanship under normal use and service. Warranty is conditional upon use of manufacturer supplied transformer or ballast.

ORDERING INFORMATION (fitting)

Example: FLM-1-W-W-F

FLM-1			
SERIES	FINISH	COLOR TEMP.	LENS
FLM-1 Fusion module	W White B Black	W Warm C Cool	C Clear W Warm F Frosted

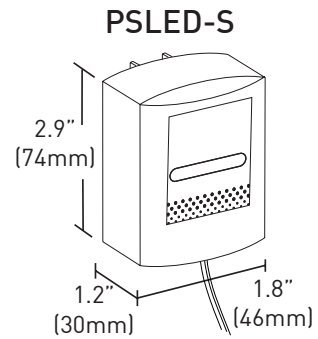
ACCESSORIES
FLMEC-1 FLM-1 module extender cable

Example: FLS-1-060-W-W-F

FLS-1				
SERIES	LENGTH	FINISH	COLOR TEMP.	LENS
FLS-1 Fusion strip	<i>in inches*</i> <i>* Custom cut-to length provided by specifier; max length 120" (3048mm)</i>	W White B Black	W Warm C Cool	C Clear W Warm F Frosted

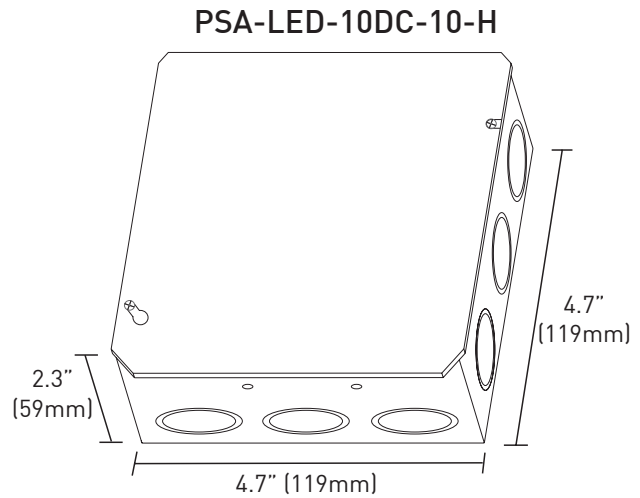
PSLED-S

Power supply for plug-in applications, Class II 120V primary, 10V secondary, 1500mA capacity electronic transformer. For lengths of less than 56" (1422mm).



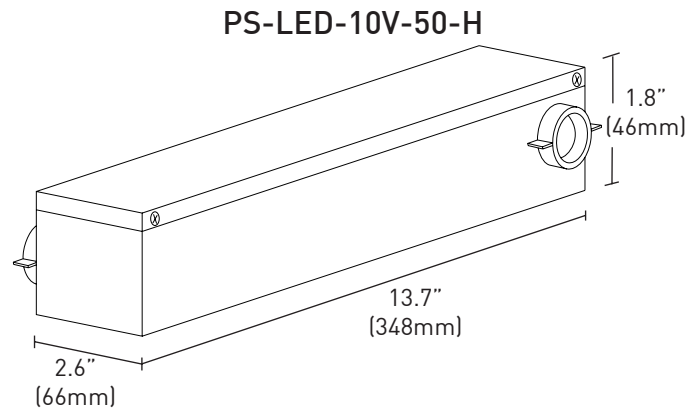
PSA-LED-10DC-10-H

Power supply for hardwire applications. Consists of a steel compartment with integral conventional Class II 120V primary, 10V secondary, 1000mA capacity electronic transformer. For lengths of less than 56" (1422mm).



PS-LED-10V-50-H

Power supply for hardwire applications. Consists of a steel compartment with integral conventional Class II 120V primary, 10V secondary, 50W capacity electronic transformer. For uninterrupted or multiple fittings (120" (3048mm) max individual fitting length) with an aggregate total run length up to 360" (9144mm).



ORDERING INFORMATION (power supply)

POWER SUPPLY OPTION

- PSLED-S** Plug-in power supply for lengths 56" (1422mm) or less
- PSA-LED-10DC-10-H** Hardwire power supply for lengths 56" (1422mm) or less
- PS-LED-10V-50-H** Hardwire power supply for uninterrupted or multiple fittings (120" (3048mm) max individual fitting length) with an aggregate total run length up to 360" (9144mm)