



DL-M

MONOPOINT DOWNLIGHT
Z SERIES

DL-M

DESCRIPTION

A Aiming

3 axes of adjustment; 360° self-locking pan; tilt up to 90° from vertical locks via thumbscrew; lampholder may be rotated and locked in any position via thumbscrew for precise lens/ accessory positioning

B Spotlight

Available with open face (M1), with kick reflector for wallwashing (M2), with full cowl for tight beam control (M3), or with angle-cut cowl (M4); optional AMEC endcap minimizes backlight (37W max halogen lamp only); standard arm length is 3.25" (83mm), consult factory for custom lengths up to 18" (457mm)

C Housing

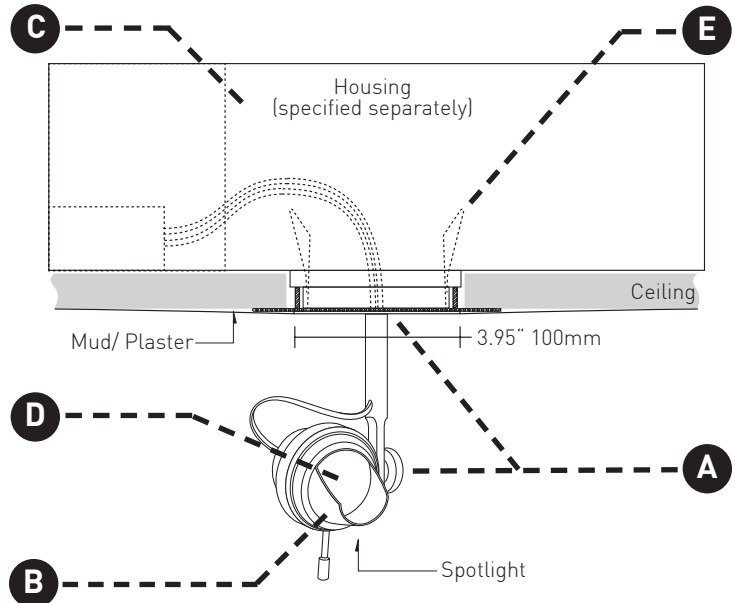
Fixture is compatible with any Z Series housing (zero-sightline application shown)

D Effects Devices

Frosted glass lens included; internal coil-spring accommodates up to 3 total effects devices

E Retention

Torsion spring clips accommodate varying ceiling thicknesses (up to 1") and ensure snug fit of trim against ceiling



TECHNICAL

CONSTRUCTION

Spotlight: Machined aluminum; painted finishes are granulated powdercoat

Housing: Steel

LAMP

MR-16 style lamp: 12V halogen 50W max (37W max with AMEC end cap).

To ensure optimal results, it is recommended to specify lamps supplied by Lucifer Lighting* (see page 2)

HOUSING

See housing specifications (page 2)

LISTING

ETL listed in US and Canada for dry/damp locations

WARRANTY

Manufacturer's one year warranty guarantees product(s) listed to be free from defects in material workmanship under normal use and service. Warranty is conditional upon use of manufacturer supplied transformer or ballast.

ORDERING INFORMATION

Example: DL-M2-SL-W-W

DL					
SERIES	SPOTLIGHT	LENGTH	SPOTLIGHT FINISH	FACEPLATE FINISH	EFFECTS DEVICES
DL	M1 Open Face M2 Wallwasher M3 Full Cowl M4 Angle-Cut Cowl	SL Standard Length CL__ Custom Length**	A Aluminum W Matte White* B Matte Black*	W Matte White* B Matte Black* C Polished Chrome IG Industrial Gray (Bead Blasted SS) MG Metallic Gray* SS Brushed Stainless Steel ABR Architectural Bronze* BRP Polished Oil-Rubbed Bronze Plate BRM Matte Oil-Rubbed Bronze Plate	<input type="checkbox"/> AGL-2 Amber Glass Lens <input type="checkbox"/> CGL-2 Clear Glass Lens <input type="checkbox"/> FGL-2 Frosted Glass Lens (standard) <input type="checkbox"/> HCL-2 Honeycomb Louver <input type="checkbox"/> LSL-2 Linear Spread Lens <input type="checkbox"/> SFL-2 Soft Focus Lens <input type="checkbox"/> SGL-2 Spread Lens <input type="checkbox"/> UVL-2 Ultra Violet Lens <input type="checkbox"/> WTL-2 Warm Tone Lens <input type="checkbox"/> AMEC End Cap

**Custom arm lengths specified in 1/2 inch increments from 4" (102mm) to 18" (457mm); Example: CL14 specifies 14" (356mm) custom arm length.

*Powdercoat



luciferlighting.com

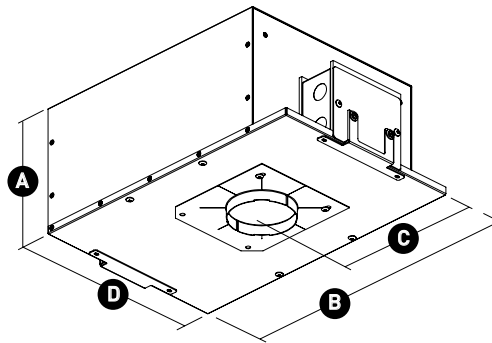
©2011 Lucifer Lighting Company
As part of its policy of continuous research and product development, the company reserves the right to change or withdraw specifications without prior notice.

3750 IH35 North
San Antonio, Texas 78219
[PH] +1-210-227-7329
[FAX] +1-210-227-4967

IC

For use with recessed downlights in IC accessible and non-accessible ceilings up to 1" thick. Transformer compartment and all splice connections may be serviced from room side. Certified Chicago Plenum and ASTM E283 Airtight version available. Hanging bars are included and can be fitted to all sides of the housing.

Maximum wattage: 50W.

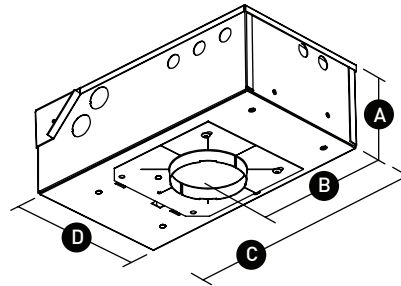


- A** 6.1" / 155mm
- B** 16.3" / 414mm
- C** 7.2" / 183mm (aperture centerline)
- D** 10" / 254mm

NON-IC

For use with recessed downlights in non-IC, accessible and non-accessible ceilings up to 1" thick. Transformer compartment and all splice connections serviceable from room side. Hanging bars are included and can be fitted to all sides of the housing for installation in spaces as narrow as 9".

Maximum wattage: 50W.



- A** 3.7" / 94mm
- B** 6.3" / 160mm (aperture centerline)
- C** 12" / 305mm
- D** 6.8" / 172mm

ORDERING INFORMATION (housing)

EX: DH-IC-ZF-HAL-50-120E

HOUSING	RATING	SERIES	LIGHT SOURCE	MAX WATTS	POWER SUPPLY (primary)
DH	IC only	ZF Z Series	HAL Halogen Low Voltage	50	120E 120V Electronic
	AC IC, Airtight, CCEA	Flange Overlay			277E 277V Electronic
	NIC Non-IC	ZO Z Series			120M 120V Magnetic
		Zero-Sightline			277M 277V Magnetic
					REM Remote
					120EZL 120V Electronic Zero-Load*
					120T 120V Torroidal
			LED MR-16 Style LED	5	120E 120V Electronic

*Zero-Load transformer accommodates retrofit 50W max MR-16 style LED lamp.

ORDERING INFORMATION (lamps)*

- 12-37-HRIR-SP 37W IR Halogen 10° Spot
- 12-37-HRIR-MF 37W IR Halogen 25° Medium Flood
- 12-37-HRIR-FL 37W IR Halogen 35° Flood
- 12-37-HRIR-WF 37W IR Halogen 60° Wide Flood
- 12-50-HRIR-SP 50W IR Halogen 10° Spot
- 12-50-HRIR-MF 50W IR Halogen 25° Medium Flood
- 12-50-HRIR-FL 50W IR Halogen 35° Flood
- 12-50-HRIR-WF 50W IR Halogen 60° Wide Flood

- 12-20-HL-SP 20W Halogen 12° Spot
- 12-20-HL-MF 20W Halogen 15° Medium Flood
- 12-20-HL-FL 20W Halogen 25° Flood
- 12-50-HR-SP 50W Halogen 15° Spot

- 12-50-HR-MF 50W Halogen 30° Medium Flood
- 12-50-HR-FL 50W Halogen 40° Flood
- 12-5-LED-SP 5W MR-16 Style LED 10° Spot
- 12-5-LED-MF 5W MR-16 Style LED 25° Medium Flood

ZERO-SIGHTLINE

APPLIQUÉS

DESCRIPTION

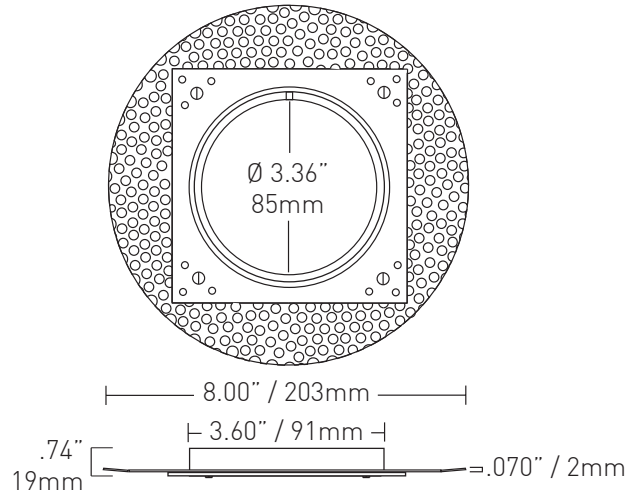
• Appliqué

Round and square appliqués are necessary to complete a Z Series zero-sightline installation. Available in standard and reduced profile versions. All models include a removable plaster plug to ensure flush trim fit after mudding.

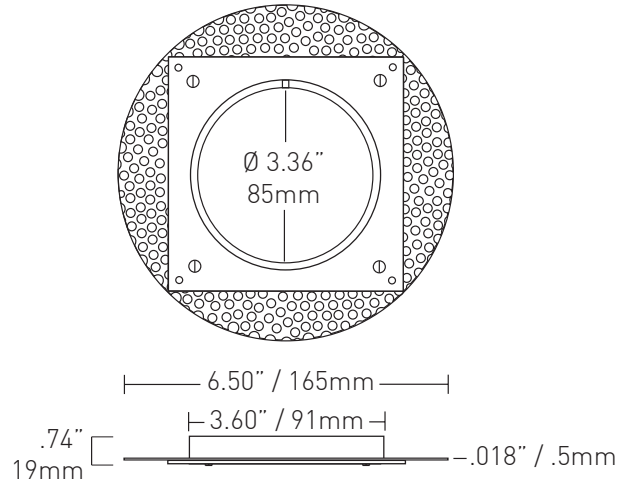
DLA-APP-Z-RD-3 is recommended for all applications as it provides maximum structural reinforcement.

DLA-APP-Z-RD-5 has a thinner profile and smaller diameter and is optional for installations where a thinner profile to apply mudding is preferred.

DLA-APP-Z-RD-3



DLA-APP-Z-RD-5



TECHNICAL

CONSTRUCTION

Steel and aluminum, nylon screws

WARRANTY

Manufacturer's one year warranty guarantees product(s) listed to be free from defects in material or workmanship under normal use and service. Warranty is conditional upon use of manufacturer supplied transformer or ballast.

ORDERING INFORMATION

EX: DLA-APP-Z-RD-3

DLA-APP-Z	RD	
APPLIQUÉ	TRIM SHAPE	PROFILE
DLA-APP-Z	RD Round	-3 Recommended -5 Level 5 Ceilings