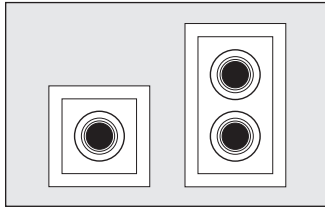


DLJ 1/2 - Java

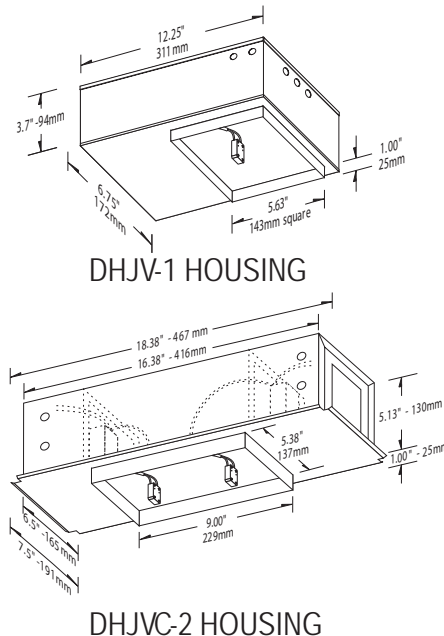
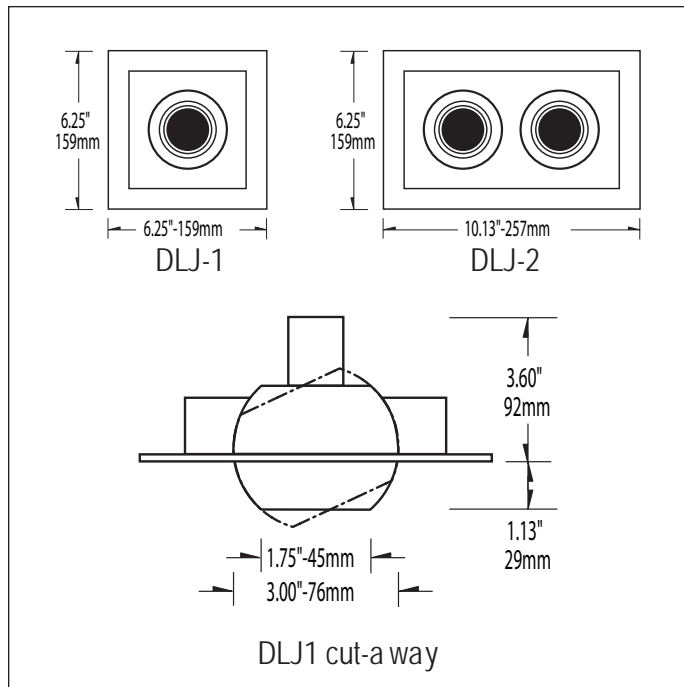
RECESSED DOWNLIGHT ASSEMBLY



PRODUCT SPECIFICATION

Cat. No.	Finish	Cat. No.	Description
TRIM		HOUSING	
DLJ1W	Matte White	DHJV-1-M*	Housing for DLJ1 w/integral 12v magnetic transformer
DLJ1B	Matte Black		
DLJ1S	Satin Silver	DHJV-1-E-120	Housing for DLJ1 w/integral 12v electronic transformer
DLJ2W	Matte White		
DLJ2B	Matte Black	DHJVC-2-E-120	Housing for DLJ2 w/integral 12v electronic transformer
DLJ2S	Satin Silver		

* Specify **120** (120v primary) or **277** (277v primary)



GENERAL DESCRIPTION

Lucifer recessed downlight frame with spherical lampholder(s) in square (DLJ-1) and rectangular (DLJ-2) configurations. Downlight frame and spherical lampholders are unified assembly which incorporate a black only sphere with regressed baffle which is fully rotatable, tilting 25° in all directions. Fixture readily re-lamps from below by swivelling baffle without need for removal of fixture from housing. Uses quartz halogen lamp(s) for superior color rendition and beam control. Frosted glass lense(s) are supplied with fixture.

MOUNTING

Trim assembly and housing are separate units with housing fixed in place using hangar bars and brackets included. Trim assembly mounts to housing using rear spring clips. Housings are for use in non-insulated, accessible and non-accessible ceilings.

MATERIAL

Trim assembly and housing are welded steel. Regressed black baffle inside trim is high temperature thermoplastic.

LABEL

U.L. Listed trim and housing for dry and damp, non-IC locations. File No. E115025.

ELECTRICAL

Trims pre-wired for use in housings. Listing includes provision for through branch circuit wiring.

LUCIFER
LIGHTING COMPANY

3750 IH35 North
San Antonio, Texas 78219
Phone: 210 227-7329
FAX: 210 227-4967
www.luciferlighting.com

TRANSFORMER

DHJV-1 housing is supplied with an integral 120v or 277v primary, 12v secondary magnetic transformer or 120v primary, 12v secondary electronic transformer. DHJVC-2 housing is supplied with two 120v primary, 12v secondary electronic transformers. All transformers are fully dimmable.

LAMP

Model DLJ-1 trim with DHJV-1 housing, MR-16 halogen lamp, 75 watts maximum (order separately) with 120v, 50 watts maximum with 277v. Model DLJ-2 trim with DHJVC-2 housing, MR-16 lamp, 50w maximum per lamp holder. Specify wattage and lamp beam spread. New IR coated quartz halogen lamps, 37w (50w output) and 50w (65w output), offer energy efficient, low heat alternatives.

ENERGY CONSERVATION

Manufacturer recommends use of Osram Sylvania's energy saving 37w Tru-Aim® IR halogen lamps which convert more energy into light than conventional 50w MR-16 lamps. Tru-Aim® IR halogen lamps can be ordered from Lucifer Lighting for use in fixture. See luciferlighting.com for lamp specification guide.

ACCESSORIES

Aura glass ring(s) may be added to outline the lamp or regressed black baffle in color. Specify Aura-Blue (AB-1), Aura-Green (AG-1), Aura-Red (AR-1), or Aura-Orange (AO-1). Trims may be accessorized with Clear Glass Lens (CGL-1), Spread Glass Lens (SGL-1), or frosted glass lens (FGL-1). Aura glass ring(s) will accept one lens to control beam spread.

©2007 Lucifer Lighting Company

As part of its policy of continuous research and product development, the Company reserves the right to change or withdraw specifications without prior notice.