



DLJ2

RECESSED DOWNLIGHT
JAVA 2

DLJ2

Online Quick Product Page Reference: DLCATJ2

DESCRIPTION

A Aiming

25° adjustment from vertical in all directions

B Special Features

Downlight frame with 15/16" deep, black recess; 2 spherical lampholders with regressed, black baffles; lampholders swivel in all directions; may be re-lamped from room side without trim removal from housing

C Effects Devices

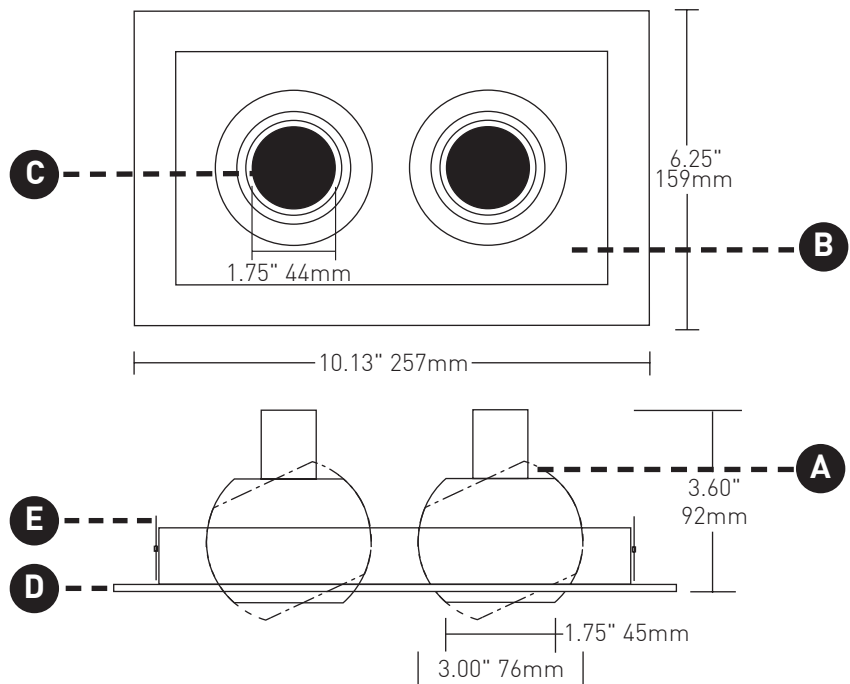
Frosted glass lenses included; spring-clip lampholders allow secure placement of multiple effects devices (see chart below for total per light source)

D Trim Plate

Thickness measures 0.055"; install as flange overlay

E Retention

Torsion spring clips accommodate varying ceiling thicknesses and ensure snug fit of trim against ceiling



TECHNICAL

CONSTRUCTION

Trim: Steel, aluminum and thermoplastic; painted finishes are granulated powdercoat

LAMP

MR-16 style lamp options: 12V halogen (HAL) 50W max, light emitting diode (LED)

To ensure optimal results, it is recommended to specify lamps supplied by Lucifer Lighting* (see page 2)

HOUSING

See housing specifications (page 2)

LISTING

ETL listed for dry/damp locations

WARRANTY

Manufacturer's one year warranty guarantees product(s) listed to be free from defects in material workmanship under normal use and service. Warranty is conditional upon use of manufacturer supplied transformer or ballast.

ORDERING INFORMATION (downlight)

Example: DLJ2-W-LED

DLJ2		
SERIES	FINISH	LIGHT SOURCE
DLJ2	W Matte White B Matte Black S Satin Silver	HAL Halogen LED Light Emitting Diode

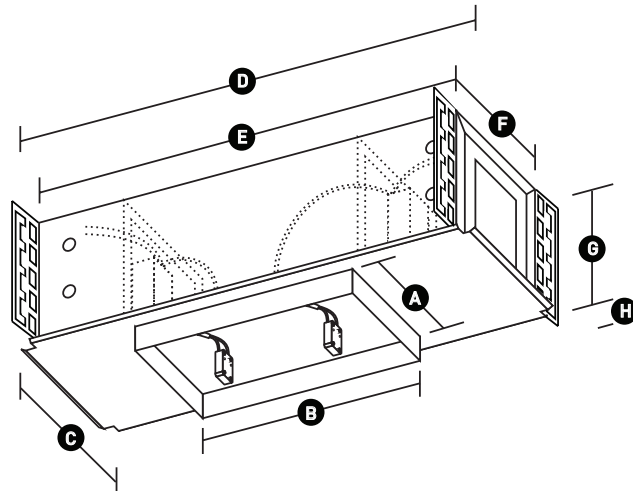
Example: 12-5-LED-MF

EFFECTS DEVICES	* LAMP	
<input type="checkbox"/> FGL-1 Frosted Glass Lens (standard) <input type="checkbox"/> CGL-1 Clear Glass Lens <input type="checkbox"/> UVL-1 Ultra Violet Lens <input type="checkbox"/> SGL-1 Spread Lens <input type="checkbox"/> LSL-1 Linear Spread Lens <input type="checkbox"/> SFL-1 Soft Focus Lens <input type="checkbox"/> HCL-1 Honeycomb Louver <input type="checkbox"/> WTL-1 Warm Tone Lens	*Optional (see page 2)	
	Light Source	LED
	Total Effects Devices	2

DH-NIC-JVC2

For use with DLJ2 trim. Chicago Plenum rated recessed housing for use in accessible and non-accessible ceilings up to 1" thick, complete with integral electronic transformers. Can be ordered for use with remote transformer. Transformers and all electrical components are serviceable from below. Steel hanging bars and brackets are also included.

Maximum wattage: 50W.



- A** 5.38" / 137mm
- B** 9.00" / 229mm
- C** 7.50" / 191mm
- D** 18.38" / 467mm
- E** 16.38" / 416mm
- F** 6.50" / 165mm
- G** 5.13" / 130mm
- H** 1.00" / 25mm

ORDERING INFORMATION (housing)

Example: DH-NIC-JVC2-LED-5-120E

DH	NIC	JVC2			120E
HOUSING	RATING	SERIES	LIGHT SOURCE	MAX WATTS	POWER SUPPLY (primary)
DH	NIC Non-IC	JVC2 Java 1 Series	HAL Halogen Low Voltage LED Light Emitting Diode	50 5	120E 120V Electronic

ORDERING INFORMATION (lamps)*

12-37-HRIR-SP	37W IR Halogen 10° Spot
12-37-HRIR-MF	37W IR Halogen 25° Medium Flood
12-37-HRIR-FL	37W IR Halogen 35° Flood
12-37-HRIR-WF	37W IR Halogen 60° Wide Flood
12-50-HRIR-SP	50W IR Halogen 10° Spot
12-50-HRIR-MF	50W IR Halogen 25° Medium Flood
12-50-HRIR-FL	50W IR Halogen 35° Flood
12-50-HRIR-WF	50W IR Halogen 60° Wide Flood
12-20-HL-SP	20W Halogen 12° Spot
12-20-HL-MF	20W Halogen 15° Medium Flood
12-20-HL-FL	20W Halogen 25° Flood
12-50-HR-SP	50W Halogen 15° Spot
12-50-HR-MF	50W Halogen 30° Medium Flood
12-50-HR-FL	50W Halogen 40° Flood

12-5-LED-SP	5W MR-16 Style LED 10° Spot
12-5-LED-MF	5W MR-16 Style LED 25° Medium Flood