



# DL84XM

RECESSED DOWNLIGHT  
LED NARROW FLOOD WOW™

DL84XM

## DESCRIPTION

### A Aiming

Fixed vertical lampholder

### B Special Features

Dimmable 14W LED module (dimming by power supply); diffuser conceals LED diodes; integral heat sink; regressed lamp; rolled-edge baffle minimizes glare; aluminum cone reflector

### C Effects Devices

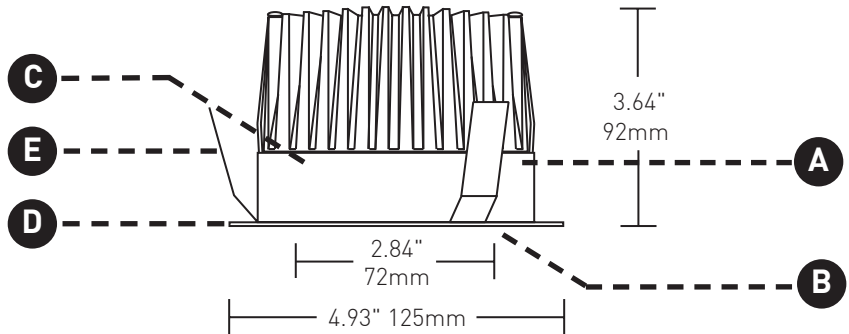
Integral diffuser lens; standard reflector finish is clear specular clad alzak (consult factory for availability of custom reflector finishes, such as champagne)

### D Trim Plate

Thickness measures 0.055"; install as flange overlay or zero-sightline (consult factory for details)

### E Retention

Torsion spring clips accommodate varying ceiling thicknesses (up to 1" with housing ordered separately, see page 2) and ensure snug fit of trim against ceiling



## TECHNICAL

### CONSTRUCTION

Trim: Steel and aluminum; painted finishes are granulated powdercoat

Lens: Acrylic

LED: Epoxy matrix circuit board

### LED

14W LED in color temperature of 3000 °K. Average rated lamp life of 50,000+ hours.

### HOUSING

See housing specifications (page 2)

### LISTING

ETL listed for dry/damp locations; IP10 rated

### WARRANTY

Manufacturer's one year warranty guarantees product(s) listed to be free from defects in material workmanship under normal use and service. Warranty is conditional upon use of manufacturer supplied transformer or ballast.

## ORDERING INFORMATION (downlight)

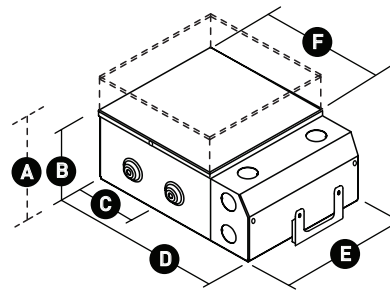
Example: DL84XM-W-CR-DLED-3K

DL84XM			DLED	3K
SERIES	TRIM PLATE FINISH	REFLECTOR FINISH	LIGHT SOURCE	COLOR TEMP
DL84XM	<b>W</b> Matte White <b>B</b> Matte Black <b>C</b> Polished Chrome <b>IG</b> Industrial Gray <b>SS</b> Brushed Stainless Steel	<b>CR</b> Clear Specular Clad Alzak <b>CF</b> Custom Finish	<b>DLED</b> Light Emitting Diode	<b>3K</b> 3000 °K

**IC-CMP**

Compact housing for use in IC accessible and non-accessible ceilings up to 1" thick. Transformer compartment and all splice connections may be serviced from room side. Certified Chicago Plenum and ASTM E283 Airtight. Hanging bars are included and can be fitted to all sides of the housing.

Consult factory for details on zero-sightline appliqué DLA-APP-XM-RD.



- A** 6.8" / 173mm (CFL)
- B** 4.5" / 109mm (LED)
- C** 3" / 76mm (aperture centerline)
- D** 8.9" / 226mm
- E** 6.3" / 160mm
- F** 6.3" / 160mm

**ORDERING INFORMATION (housing)**

Example: DH-IC-CMP-XF-DLED-15-120E

DH	IC-CMP	XF	DLED	15	120E
HOUSING	RATING	SERIES	LIGHT SOURCE	MAX WATTS	POWER SUPPLY (primary)
DH	<b>IC-CMP</b> IC, Airtight, CCEA, Compact	<b>XF</b> X Series Flange Overlay	<b>DLED</b> Light Emitting Diode (DC)	<b>15</b>	<b>120E</b> 120V Electronic