



# DL59X

DL59X

RECESSED DOWNLIGHT  
ROUND FIXED DEEP CONE CFL NAIAD WET LOCATION

## DESCRIPTION

### A Aiming

Fixed vertical lampholder

### B Special Features

47% fixture efficiency with clear specular reflector; for use with CFL; deeply regressed lamp; rolled-edge baffle minimizes glare; aluminum deep cone reflector with 50° cut-off angle; sealed aperture and integral silicone gasket prevent water intrusion

### C Effects Devices

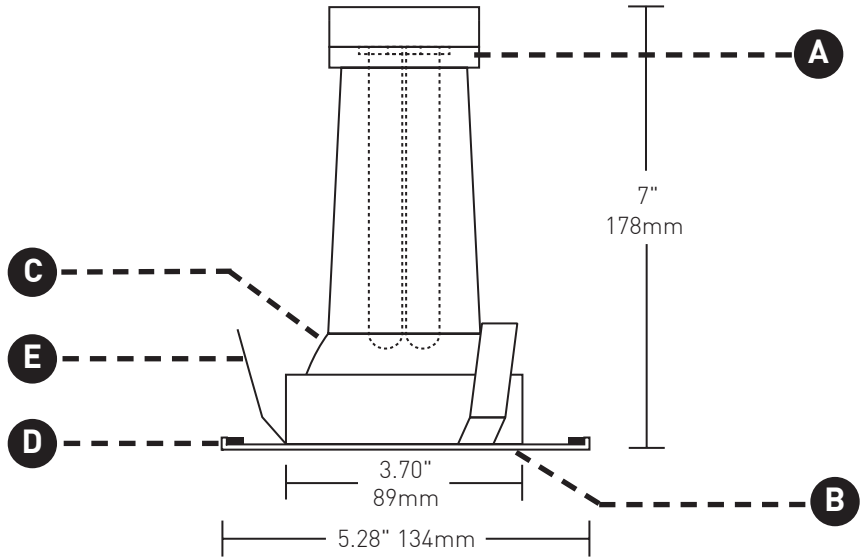
Included sealed lens is available fully frosted or center frosted; reflector may be finished in clear specular clad alzak or stippled specular clad alzak (consult factory for availability of custom reflector finishes, such as champagne)

### D Trim Plate

.15" (3.8mm) return; install as flange overlay or zero-sightline (consult factory for details)

### E Retention

Torsion spring clips accommodate varying ceiling thicknesses (up to 1" with housing ordered separately, see page 2) and ensure snug fit of trim against ceiling



## TECHNICAL

### CONSTRUCTION

Trim: Stainless steel and aluminum; painted finishes are granulated powdercoat

### LAMP

18W Compact fluorescent (CFL)

To ensure optimal results, it is recommended to specify lamps supplied by Lucifer Lighting\* (see page 2)

### HOUSING

See housing specifications (page 2)

### LISTING

ETL listed for wet locations; IP64 rated

### WARRANTY

Manufacturer's one year warranty guarantees product(s) listed to be free from defects in material workmanship under normal use and service. Warranty is conditional upon use of manufacturer supplied transformer or ballast.

## ORDERING INFORMATION (downlight)

DL59X			Example: DL59X-W-CR-CFL-F		Example: 120-18-CF-27
SERIES	TRIM PLATE FINISH	REFLECTOR FINISH	LIGHT SOURCE	LENS	LAMP
DL59X	<b>W</b> Matte White <b>B</b> Matte Black <b>C</b> Polished Chrome <b>IG</b> Industrial Gray <b>SS</b> Brushed Stainless Steel	<b>SR</b> Stippled Specular Clad Alzak <b>CR</b> Clear Specular Clad Alzak <b>CF</b> Custom Finish	<b>CFL</b> Compact Fluorescent	<b>F</b> Fully Frosted <b>C</b> Center Frosted	* <b>Optional (see page 2)</b>

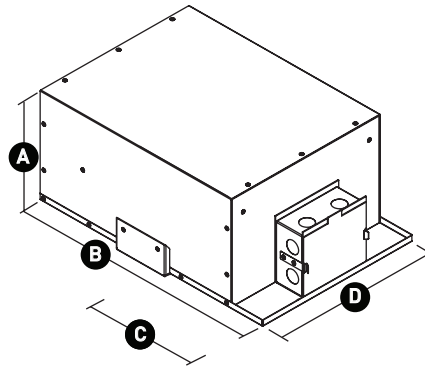
# UNIVERSAL HOUSINGS

DL59X

## IC

For use with recessed downlights in IC accessible and non-accessible ceilings up to 1" thick. Transformer compartment and all splice connections may be serviced from room side. Certified Chicago Plenum and ASTM E283 Airtight. Hanging bars are included and can be fitted to all sides of the housing.

Consult factory for details on wet location zero-sightline appliqué DLA-APP-XIP-RD.

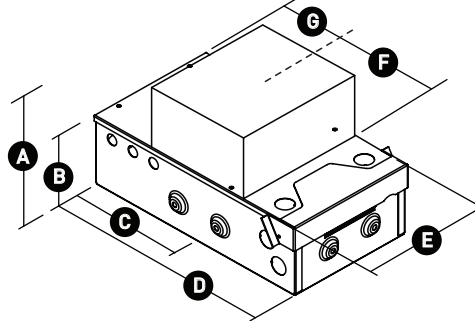


- A** 7" / 177mm
- B** 16.3" / 413mm
- C** 7.2" / 185mm (aperture centerline)
- D** 10.9" / 276mm

## NON-IC

For use with recessed downlights in non-IC, accessible and non-accessible ceilings up to 1" thick. Transformer compartment and all splice connections serviceable from room side. Hanging bars are included and can be fitted to all sides of the housing for installation in spaces as narrow as 9".

Consult factory for details on wet location zero-sightline appliqué DLA-APP-XIP-RD.



- A** 7" / 177mm
- B** 3.7" / 94mm
- C** 6.25" / 159mm (aperture centerline)
- D** 12" / 305mm
- E** 6.8" / 172mm
- F** 6.3" / 160mm
- G** 3.25" / 83mm

## ORDERING INFORMATION (housing)

Example: DH-IC-XF-CFL-18-UNI					
HOUSING	RATING	SERIES	LIGHT SOURCE	MAX WATTS	POWER SUPPLY (primary)
DH	IC, Airtight, CCEA NIC Non-IC	XF X Series Flange Overlay	CFL Compact Fluorescent	18	UNI Universal

## ORDERING INFORMATION (lamps)\*

120-18-CF-27      18W 2700° Compact Fluorescent