



DL51XM

RECESSED DOWNLIGHT
ROUND FIXED DEEP CONE CFL

DL51XM

Online Quick Product Page Reference: DLCAT51XM

DESCRIPTION

A Aiming

Fixed vertical lampholder

B Special Features

47% fixture efficiency with clear specular reflector; for use with CFL; deeply regressed lamp; rolled-edge baffle minimizes glare; aluminum deep cone reflector with 50° cut-off angle

C Effects Devices

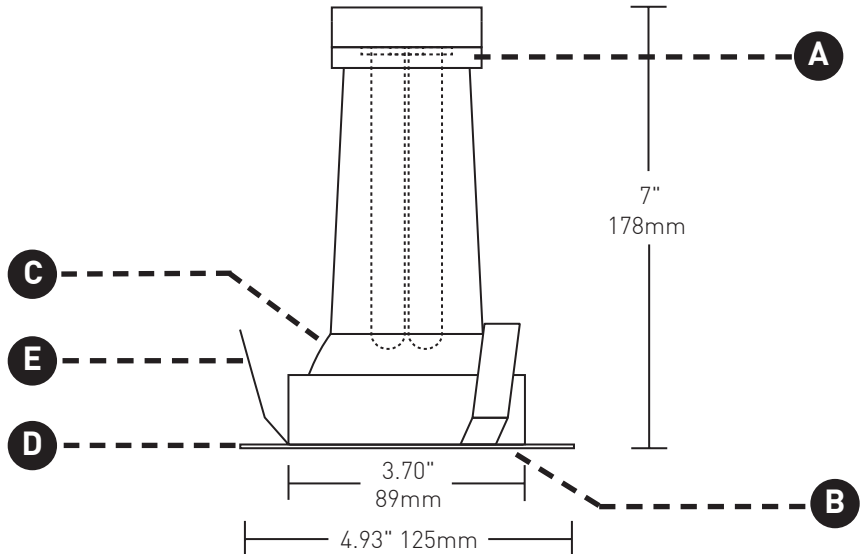
Reflector may be finished in clear specular clad alzak or stippled specular clad alzak (consult factory for availability of custom reflector finishes, such as champagne)

D Trim Plate

Thickness measures 0.055" (1.4mm); install as flange overlay

E Retention

Torsion spring clips accommodate varying ceiling thicknesses and ensure snug fit of trim against ceiling



TECHNICAL

CONSTRUCTION

Trim: Steel and aluminum; painted finishes are granulated powdercoat

LAMP

18W Compact fluorescent (CFL)

To ensure optimal results, it is recommended to specify lamps supplied by Lucifer Lighting* (see page 2)

HOUSING

See housing specifications (page 2)

LISTING

ETL listed for dry/damp locations

WARRANTY

Manufacturer's one year warranty guarantees product(s) listed to be free from defects in material workmanship under normal use and service. Warranty is conditional upon use of manufacturer supplied transformer or ballast.

ORDERING INFORMATION (downlight)

Example: DL51XM-W-CR-CFL

Example: 120-18-CF-27

| DL51XM | | | |
|--------|-----------------------------------|--|--------------------------------|
| SERIES | TRIM PLATE FINISH | REFLECTOR FINISH | LIGHT SOURCE |
| DL51XM | W Matte White | CR Clear Specular Clad Alzak | CFL Compact Fluorescent |
| | B Matte Black | SR Stippled Specular Clad Alzak | |
| | C Polished Chrome | CF Custom Finish | |
| | IG Industrial Gray | | |
| | SS Brushed Stainless Steel | | |

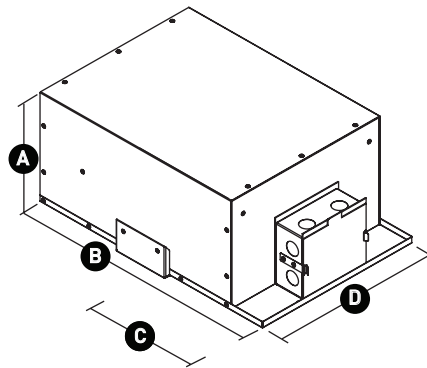
| * [] |
|--------------------------------|
| LAMP |
| * <i>Optional (see page 2)</i> |

UNIVERSAL HOUSINGS

DL51XM

IC

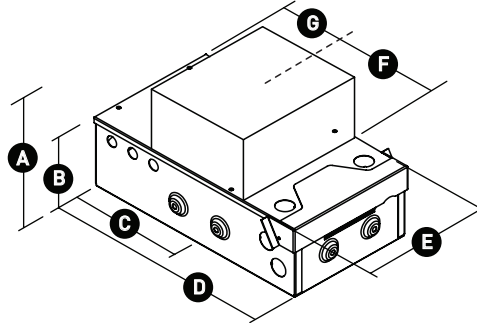
For use with recessed downlights in IC accessible and non-accessible ceilings up to 1" thick. Transformer compartment and all splice connections may be serviced from room side. Certified Chicago Plenum and ASTM E283 Airtight. Hanging bars are included and can be fitted to all sides of the housing.



- A** 7" / 177mm
- B** 16.3" / 413mm
- C** 7.2" / 185mm
(aperture centerline)
- D** 10.9" / 276mm

NON-IC

For use with recessed downlights in non-IC, non-accessible ceilings up to 1" thick. Transformer compartment and all splice connections serviceable from room side. Hanging bars are included and can be fitted to all sides of the housing for installation in spaces as narrow as 9".



- A** 7" / 177mm
- B** 3.7" / 94mm
- C** 6.25" / 159mm
(aperture centerline)
- D** 12" / 305mm
- E** 6.8" / 172mm
- F** 6.3" / 160mm
- G** 3.25" / 83mm

ORDERING INFORMATION (housing)

Example: DH-IC-XF-CFL-18-UNI

| HOUSING | RATING | SERIES | LIGHT SOURCE | MAX WATTS | POWER SUPPLY (primary) |
|---------|----------------------------------|-------------------------------|-------------------------|-----------|------------------------|
| DH | IC, Airtight, CCEA NIC Non-IC | XF X Series Flange Overlay | CFL Compact Fluorescent | 18 | UNI Universal |

ORDERING INFORMATION (lamps)*

120-18-CF-27 18W 2700° Compact Fluorescent