



# DL43XM

RECESSED DOWNLIGHT  
ROUND 45° ADJUSTABLE DEEP CONE BASSO

DL43XM

Online Quick Product Page Reference: DLCAT43XM

## DESCRIPTION

### A Aiming

45° of adjustment from vertical; lockable from below

### B Special Features

For use with Par-20 style lamp; deeply regressed lamp; rolled-edge baffle minimizes glare; aluminum deep cone reflector with high cut-off angle

### C Effects Devices

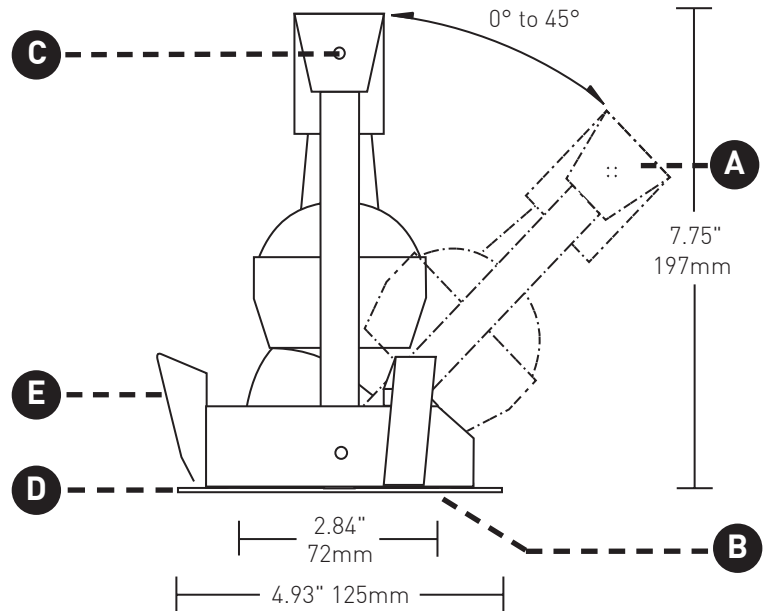
Adjustable yoke allows secure placement of up to 3 total effects devices; reflector may be finished in clear specular clad alzak or black alzak (consult factory for availability of custom reflector finishes, such as champagne)

### D Trim Plate

Thickness measures 0.055" (1.4mm); install as flange overlay

### E Retention

Torsion spring clips accommodate varying ceiling thicknesses and ensure snug fit of trim against ceiling



## TECHNICAL

### CONSTRUCTION

Trim: Steel and aluminum; painted finishes are granulated powdercoat

### LAMP

Par-20 style lamp options: 12V halogen (HAL) *max wattage is housing dependent*, ceramic metal halide (HID) *39W max*

To ensure optimal results, it is recommended to specify lamps supplied by Lucifer Lighting\* (see page 2)

### HOUSING

See housing specifications (page 2)

### LISTING

ETL listed for dry/damp locations

### WARRANTY

Manufacturer's one year warranty guarantees product(s) listed to be free from defects in material workmanship under normal use and service. Warranty is conditional upon use of manufacturer supplied transformer or ballast.

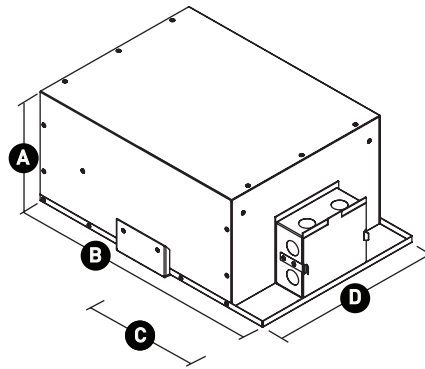
## ORDERING INFORMATION (downlight)

Example: DL43XM-W-CR-HAL				Example: 120-50-PAR20-FL	
SERIES	TRIM PLATE FINISH	REFLECTOR FINISH	LIGHT SOURCE	EFFECTS DEVICES	LAMP
DL43XM	<b>W</b> Matte White <b>B</b> Matte Black <b>C</b> Polished Chrome <b>IG</b> Industrial Gray <b>SS</b> Brushed Stainless Steel	<b>CR</b> Clear Specular Clad Alzak <b>BR</b> Black Alzak <b>CF</b> Custom Finish	<b>HAL</b> Halogen <b>HID</b> High Intensity Discharge	<input type="checkbox"/> <b>FGL-4</b> Frosted Glass Lens <input type="checkbox"/> <b>CGL-4</b> Clear Glass Lens <input type="checkbox"/> <b>UVL-4</b> Ultra Violet Lens <input type="checkbox"/> <b>SGL-4</b> Spread Lens <input type="checkbox"/> <b>LSL-4</b> Linear Spread Lens <input type="checkbox"/> <b>SFL-4</b> Soft Focus Lens <input type="checkbox"/> <b>HCL-4</b> Honeycomb Louver <input type="checkbox"/> <b>WTL-4</b> Warm Tone Lens	* <input type="checkbox"/> * <i>Optional (see page 2)</i>

**IC**

For use with recessed downlights in IC accessible and non-accessible ceilings up to 1" thick. Transformer compartment and all splice connections may be serviced from room side. Certified Chicago Plenum and ASTM E283 Airtight. Hanging bars are included and can be fitted to all sides of the housing.

Maximum wattage: 50W for halogen, 39W for HID.

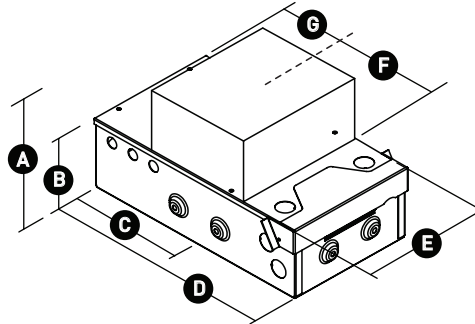


- A** 7" / 177mm
- B** 16.3" / 413mm
- C** 7.2" / 185mm (aperture centerline)
- D** 10.9" / 276mm

**NON-IC**

For use with recessed downlights in non-IC, accessible and non-accessible ceilings up to 1" thick. Transformer compartment and all splice connections serviceable from room side. Hanging bars are included and can be fitted to all sides of the housing for installation in spaces as narrow as 9".

Maximum wattage: 75W for halogen, 39W for HID. The DL43XM uses version with extended top (see measurement A).



- A** 7" / 177mm
- B** 3.7" / 94mm
- C** 6.25" / 159mm (aperture centerline)
- D** 12" / 305mm
- E** 6.8" / 172mm
- F** 6.3" / 160mm
- G** 3.25" / 83mm

**ORDERING INFORMATION (housing)**

Example: DH-IC-XF-P20HAL-50-120

HOUSING	RATING	SERIES	LIGHT SOURCE	MAX WATTS	POWER SUPPLY (primary)
DH	IC, Airtight, CCEA	XF X Series Flange Overlay	P20HAL Halogen Mains / Line Voltage	75 (NIC only) 50 (IC only)	120 120V Mains Voltage
	NIC Non-IC		P20HID Metal Halide	39	120E 120V Electronic 277E 277V Electronic REM Remote

**ORDERING INFORMATION (lamps)\***

- 120-50-PAR20-FL 50W Par-20 Halogen 25° Flood
- 120-35-MH-PAR20-FL 35W Par-20 Ceramic Metal Halide HID 30° Flood