



DL36ZP

DL36ZP

RECESSED DOWNLIGHT
SQUARE WALLWASH MIRAGE® WET LOCATION

Online Quick Product Page Reference: DLCAT36ZP

DESCRIPTION

A Aiming

Utilizes integral kick reflector and angled lampholder for even wallwashing

B Special Features

Stainless steel construction; sealed aperture and integral silicone gasket prevent water intrusion; die-cast Professional Baffle minimizes aperture glare; sealed collar prevents light leak

C Effects Devices

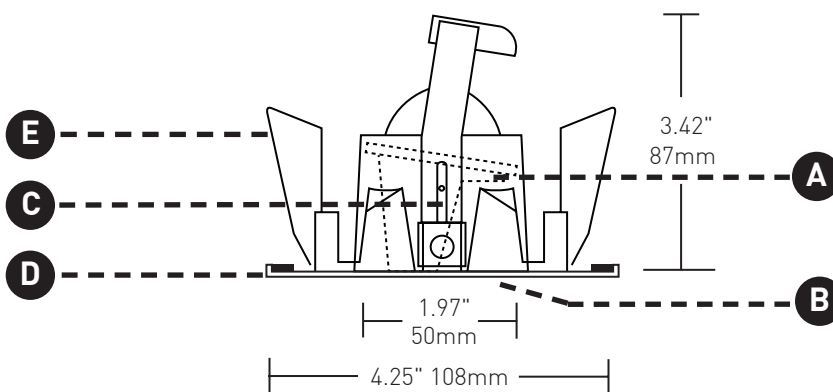
Sealed frosted glass lens included; adjustable yoke allows secure placement of additional effects devices (see chart below for limit per light source)

D Trim Plate

.15" return; install as flange overlay

E Retention

Torsion spring clips accommodate varying ceiling thicknesses (up to 1" with housing ordered separately, see page 2) and ensure snug fit of trim against ceiling



TECHNICAL

CONSTRUCTION

Trim: Stainless steel and aluminum; painted finishes are granulated powdercoat

LAMP

MR-16 style lamp options: 12V halogen (HAL) *max wattage is housing dependent*, ceramic metal halide (HID) *39W max*, cold cathode compact fluorescent (CCFL), light emitting diode (LED)

50W 30° EXX (12-50-HR-MF) recommended for HAL applications; 20W 25° (120-20-MH-MF) recommended for HID applications

To ensure optimal results, it is recommended to specify lamps supplied by Lucifer Lighting* (see page 2)

SPACING

Recommended fixture spacing is 30" on center with 15"-18" setback from wall plane

HOUSING

See housing specifications (page 2)

LISTING

ETL listed for wet locations; IP64 rated

WARRANTY

Manufacturer's one year warranty guarantees product(s) listed to be free from defects in material workmanship under normal use and service. Warranty is conditional upon use of manufacturer supplied transformer or ballast.

ORDERING INFORMATION (downlight)

Example: DL36ZP-W-HAL

| | | | | |
|--------|----------------------------|---------------------------------------|---|------------------------|
| DL36ZP | | | | |
| SERIES | FINISH | LIGHT SOURCE | ADDITIONAL EFFECTS DEVICES | LAMP |
| DL36ZP | W Matte White | HAL Halogen | <input type="checkbox"/> UVL-2 Ultra Violet Lens | * [] |
| | B Matte Black | HID High Intensity Discharge | <input type="checkbox"/> SGL-2 Spread Lens | |
| | C Polished Chrome | LED Light Emitting Diode | <input type="checkbox"/> LSL-2 Linear Spread Lens | *Optional (see page 2) |
| | IG Industrial Gray | CCFL Cold Cathode Compact Fluorescent | <input type="checkbox"/> SFL-2 Soft Focus Lens | |
| | SS Brushed Stainless Steel | | <input type="checkbox"/> HCL-2 Honeycomb Louver | |
| | | | <input type="checkbox"/> WTL-2 Warm Tone Lens | |
| | | | <input type="checkbox"/> AGL-2 Amber Glass Lens | |

| | | | | | |
|-----------------------|--------------|-----|-----|-----|------|
| | Light Source | HAL | HID | LED | CCFL |
| Effects Devices Limit | | 2 | 1 | 2 | ** |

** Consult factory



luciferlighting.com

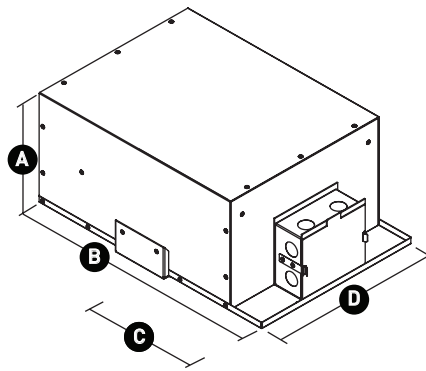
©2010 Lucifer Lighting Company
As part of its policy of continuous research and product development, the company reserves the right to change or withdraw specifications without prior notice.

3750 IH35 North
San Antonio, Texas 78219
[PH] +1-210-227-7329
[FAX] +1-210-227-4967

IC

For use with recessed downlights in IC accessible and non-accessible ceilings up to 1" thick. Transformer compartment and all splice connections may be serviced from room side. Certified Chicago Plenum and ASTM E283 Airtight. Hanging bars are included and can be fitted to all sides of the housing.

Maximum wattage: 50W for halogen, 39W for HID.

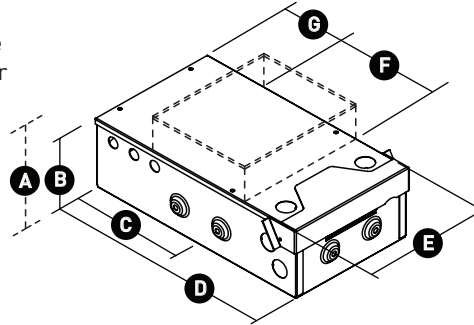


- A** 7" / 177mm
- B** 16.3" / 413mm
- C** 7.2" / 185mm (aperture centerline)
- D** 10.9" / 276mm

NON-IC

For use with recessed downlights in non-IC, accessible and non-accessible ceilings up to 1" thick. Transformer compartment and all splice connections serviceable from room side. Hanging bars are included and can be fitted to all sides of the housing for installation in spaces as narrow as 9".

Maximum wattage: 75W for halogen, 39W for HID. HID and CCFL versions come with extended top. The lowest profile housing (see measurement B) is for use with the halogen lamp.



- A** 5.1" / 129mm (HID / CCFL)
- B** 3.7" / 94mm (HAL)
- C** 6.3" / 160mm (aperture centerline)
- D** 12" / 305mm
- E** 6.8" / 172mm
- F** 6.3" / 160mm
- G** 3.3" / 84mm

ORDERING INFORMATION (housing)

| Example: DH-IC-ZF-HAL-50-120E | | | | | |
|-------------------------------|-------------------------------------|-------------------------------|-------------------------------|-------------------------------|--|
| HOUSING | RATING | SERIES | LIGHT SOURCE | MAX WATTS | POWER SUPPLY (primary) |
| DH | IC IC, Airtight, CCEA NIC Non-IC | ZF Z Series Flange Overlay | HAL Halogen Low Voltage | 75 (NIC only) 50 (IC only) | 120E 120V Electronic 277E 277V Electronic 120M 120V Magnetic 277M 277V Magnetic REM Remote |
| | | | HID Metal Halide | 50 39 20 | 120T 120V Torroidal 120E 120V Electronic 277E 277V Electronic REM Remote |
| | | | LED Light Emitting Diode | 5 | 120E 120V Electronic |
| | | | CCFL Cold Cathode Fluorescent | 10 | 120E 120V Electronic |

ORDERING INFORMATION (lamps)*

| | | | |
|---------------|---------------------------------|--------------|---|
| 12-37-HRIR-SP | 37W IR Halogen 10° Spot | 120-20-MH-SP | 20W Ceramic Metal Halide HID 12° Spot |
| 12-37-HRIR-MF | 37W IR Halogen 25° Medium Flood | 120-20-MH-MF | 20W Ceramic Metal Halide HID 25° Medium Flood |
| 12-37-HRIR-FL | 37W IR Halogen 35° Flood | 120-20-MH-FL | 20W Ceramic Metal Halide HID 40° Flood |
| 12-37-HRIR-WF | 37W IR Halogen 60° Wide Flood | 120-39-MH-SP | 39W Ceramic Metal Halide HID 12° Spot |
| 12-50-HRIR-SP | 50W IR Halogen 10° Spot | 120-39-MH-MF | 39W Ceramic Metal Halide HID 25° Medium Flood |
| 12-50-HRIR-MF | 50W IR Halogen 25° Medium Flood | 120-39-MH-FL | 39W Ceramic Metal Halide HID 40° Flood |
| 12-50-HRIR-FL | 50W IR Halogen 35° Flood | | |
| 12-50-HRIR-WF | 50W IR Halogen 60° Wide Flood | 12-5-LED-SP | 5W MR-16 Style LED 10° Spot |
| | | 12-5-LED-MF | 5W MR-16 Style LED 25° Medium Flood |
| 12-20-HL-SP | 20W Halogen 12° Spot | CCFL | Consult factory for availability |
| 12-20-HL-MF | 20W Halogen 15° Medium Flood | | |
| 12-20-HL-FL | 20W Halogen 25° Flood | | |
| 12-50-HR-SP | 50W Halogen 15° Spot | | |
| 12-50-HR-MF | 50W Halogen 30° Medium Flood | | |
| 12-50-HR-FL | 50W Halogen 40° Flood | | |