



# DL34ZP

RECESSED DOWNLIGHT  
SQUARE WALLWASH WIDE-APERTURE

DL34ZP

## DESCRIPTION

### A Aiming

Angled lampholder for even wallwashing

### B Special Features

Die-cast wide aperture; integral Professional Baffle minimizes aperture glare

### C Effects Devices

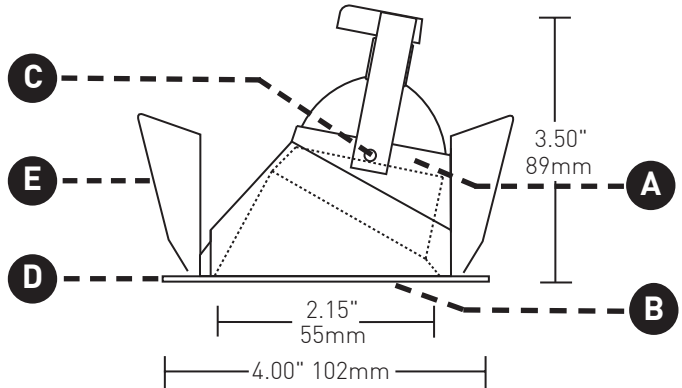
Sealed linear spread and frosted glass lenses included; adjustable yoke allows secure placement of additional effects devices (see chart below for limit per light source)

### D Trim Plate

Thickness measures 0.055"; install as zero-sightline or flange overlay

### E Retention

Torsion spring clips accommodate varying ceiling thicknesses (up to 1" with housing ordered separately, see page 3) and ensure snug fit of trim against ceiling



## TECHNICAL

### CONSTRUCTION

Trim: Steel and aluminum; painted finishes are granulated powdercoat

### LAMP

MR-16 style lamp options: 12V halogen (HAL) *max wattage is housing dependent*, ceramic metal halide (HID) *39W max*, cold cathode compact fluorescent (CCFL), light emitting diode (LED)

50W 30° EXK (12-50-HR-MF) recommended for HAL applications; 20W 25° (120-20-MH-MF) recommended for HID applications

To ensure optimal results, it is recommended to specify lamps supplied by Lucifer Lighting\* (see page 3)

### SPACING

Recommended fixture spacing is 36"-40" on center with 32"-36" setback from wall plane

### HOUSING

See housing specifications (page 3)

### LISTING

ETL listed for dry/damp locations; IP10 rated

### WARRANTY

Manufacturer's one year warranty guarantees product(s) listed to be free from defects in material workmanship under normal use and service. Warranty is conditional upon use of manufacturer supplied transformer or ballast.

## ORDERING INFORMATION (downlight)

Example: DL34ZP-W-HAL

Example: 12-50-HR-MF

DL34ZP		
SERIES	FINISH	LIGHT SOURCE
DL34ZP	W Matte White B Matte Black C Polished Chrome IG Industrial Gray SS Brushed Stainless Steel	HAL Halogen HID High Intensity Discharge LED Light Emitting Diode CCFL Cold Cathode Compact Fluorescent

	* [ ]				
ADDITIONAL EFFECTS DEVICES	LAMP				
<input type="checkbox"/> UVL-2 Ultra Violet Lens <input type="checkbox"/> SGL-2 Spread Lens <input type="checkbox"/> SFL-2 Soft Focus Lens <input type="checkbox"/> HCL-2 Honeycomb Louver <input type="checkbox"/> WTL-2 Warm Tone Lens <input type="checkbox"/> AGL-2 Amber Glass Lens	* Optional (see page 2)				
	Light Source	HAL	HID	LED	CCFL
	Effects Device Limit	3	3	3	**

\*\* Consult factory



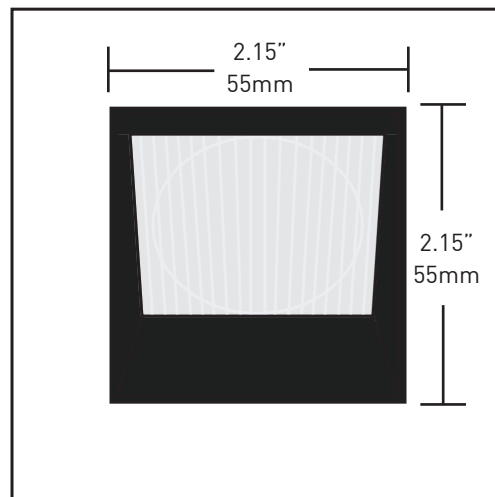
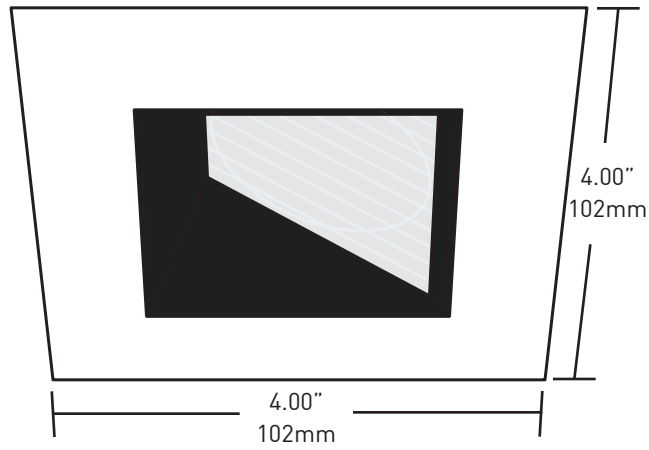
# DL34ZP

RECESSED DOWNLIGHT  
SQUARE WALLWASH WIDE-APERTURE

DL34ZP

## ALTERNATE VIEWS

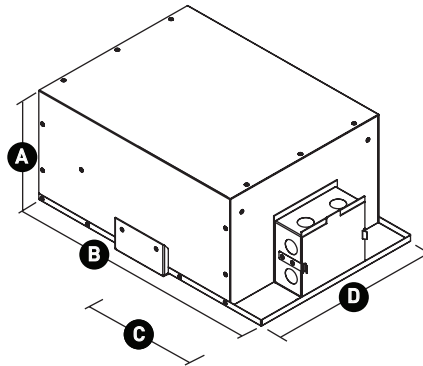
---



IC

For use with recessed downlights in IC accessible and non-accessible ceilings up to 1" thick. Transformer compartment and all splice connections may be serviced from room side. Certified Chicago Plenum and ASTM E283 Airtight. Hanging bars are included and can be fitted to all sides of the housing.

Maximum wattage: 50W for halogen, 39W for HID.

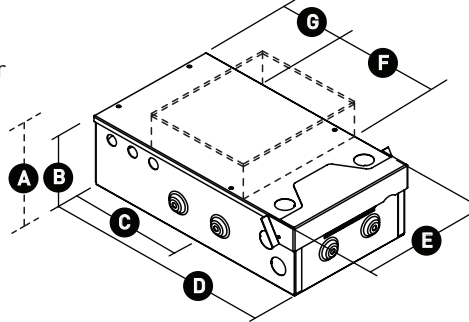


- A** 7" / 177mm
- B** 16.3" / 413mm
- C** 7.2" / 185mm (aperture centerline)
- D** 10.9" / 276mm

NON-IC

For use with recessed downlights in non-IC, accessible and non-accessible ceilings up to 1" thick. Transformer compartment and all splice connections serviceable from room side. Hanging bars are included and can be fitted to all sides of the housing for installation in spaces as narrow as 9".

Maximum wattage: 75W for halogen, 39W for HID. HID and CCFL versions come with extended top. The lowest profile housing (see measurement B) is for use with the halogen lamp.



- A** 5.1" / 129mm (HID / CCFL)
- B** 3.7" / 94mm (HAL)
- C** 6.3" / 160mm (aperture centerline)
- D** 12" / 305mm
- E** 6.8" / 172mm
- F** 6.3" / 160mm
- G** 3.3" / 84mm

ORDERING INFORMATION (housing)

Example: DH-IC-ZO-HAL-50-120E					
DH					
HOUSING	RATING	SERIES	LIGHT SOURCE	MAX WATTS	POWER SUPPLY (primary)
DH	IC, Airtight, CCEA NIC Non-IC	ZF Z Series Flange Overlay ZO Z Series Zero-Sightline	HAL Halogen Low Voltage  HID Metal Halide  LED Light Emitting Diode CCFL Cold Cathode Fluorescent	75 (NIC only) 50 (IC only)  50 39 20  5 10	120E 120V Electronic 277E 277V Electronic 120M 120V Magnetic 277M 277V Magnetic REM Remote 120T 120V Torroidal 120E 120V Electronic 277E 277V Electronic REM Remote 120E 120V Electronic 120E 120V Electronic

ORDERING INFORMATION (lamps)\*

12-37-HRIR-SP	37W IR Halogen 10° Spot	120-20-MH-SP	20W Ceramic Metal Halide HID 12° Spot
12-37-HRIR-MF	37W IR Halogen 25° Medium Flood	120-20-MH-MF	20W Ceramic Metal Halide HID 25° Medium Flood
12-37-HRIR-FL	37W IR Halogen 35° Flood	120-20-MH-FL	20W Ceramic Metal Halide HID 40° Flood
12-37-HRIR-WF	37W IR Halogen 60° Wide Flood	120-39-MH-SP	39W Ceramic Metal Halide HID 12° Spot
12-50-HRIR-SP	50W IR Halogen 10° Spot	120-39-MH-MF	39W Ceramic Metal Halide HID 25° Medium Flood
12-50-HRIR-MF	50W IR Halogen 25° Medium Flood	120-39-MH-FL	39W Ceramic Metal Halide HID 40° Flood
12-50-HRIR-FL	50W IR Halogen 35° Flood	12-5-LED-SP	5W MR-16 Style LED 10° Spot
12-50-HRIR-WF	50W IR Halogen 60° Wide Flood	12-5-LED-MF	5W MR-16 Style LED 25° Medium Flood
12-20-HL-SP	20W Halogen 12° Spot	CCFL	Consult factory for availability
12-20-HL-MF	20W Halogen 15° Medium Flood		
12-20-HL-FL	20W Halogen 25° Flood		
12-50-HR-SP	50W Halogen 15° Spot		
12-50-HR-MF	50W Halogen 30° Medium Flood		
12-50-HR-FL	50W Halogen 40° Flood		

# ZERO-SIGHTLINE

## APPLIQUÉS

ROUND AND SQUARE

### DESCRIPTION

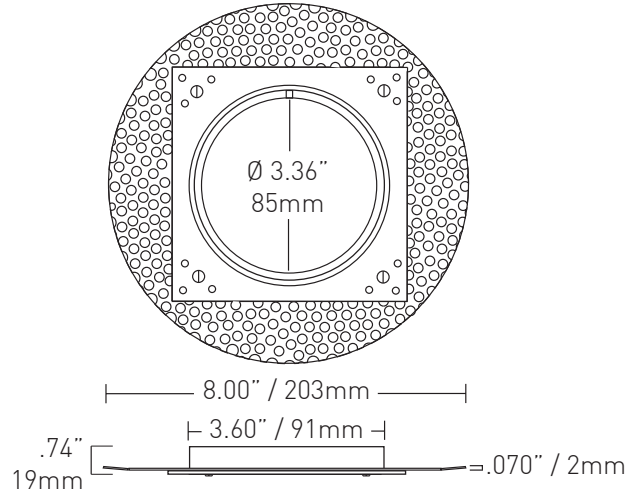
• **Appliqué**

Round and square appliqués are necessary to complete a Z Series zero-sightline installation. Available in standard and reduced profile versions. All models include a removable plaster plug to ensure flush trim fit after mudding.

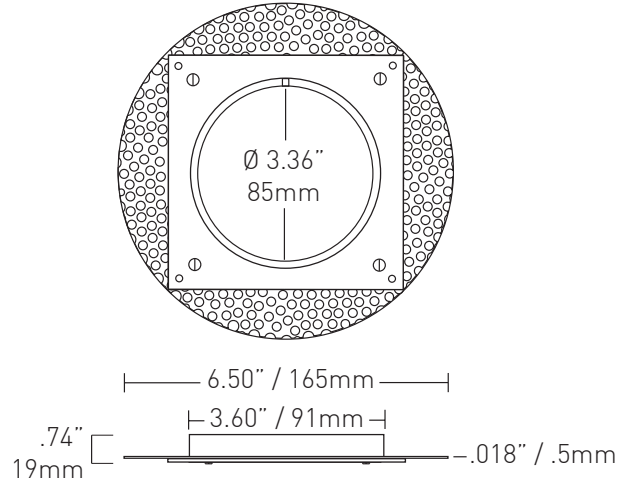
DLA-APP-Z-RD-3 and DLA-APP-Z-SQ-3 are recommended for all applications as they provide maximum structural reinforcement.

DLA-APP-Z-RD-5 and DLA-APP-Z-SQ-5 have a thinner profile and smaller diameter and are optional for installations where a thinner profile to apply mudding is preferred.

**DLA-APP-Z-RD-3**



**DLA-APP-Z-SQ-5**



### TECHNICAL

**CONSTRUCTION**

Steel and aluminum, nylon screws

**WARRANTY**

Manufacturer's one year warranty guarantees product(s) listed to be free from defects in material or workmanship under normal use and service. Warranty is conditional upon use of manufacturer supplied transformer or ballast.

### ORDERING INFORMATION

EX: DLA-APP-Z-SQ-3

DLA-APP-Z		
APPLIQUÉ	TRIM SHAPE	PROFILE
DLA-APP-Z	<b>RD</b> Round	<b>-3</b> Recommended
	<b>SQ</b> Square	<b>-5</b> Level 5 Ceilings