



DL1XM

RECESSED DOWNLIGHT
ROUND FIXED

DL1XM

Online Quick Product Page Reference: DLCAT1XM

DESCRIPTION

A Aiming

Fixed vertical lampholder

B Special Features

Deeply regressed lamp; sealed collar prevents light leak

C Effects Devices

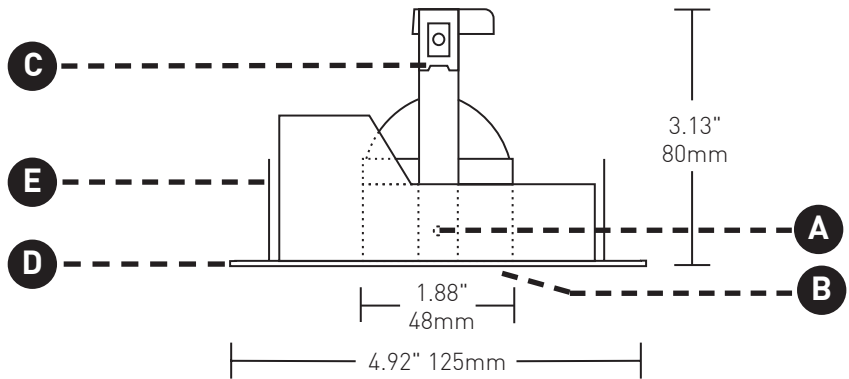
Frosted glass lens included; registered yoke allows secure placement of multiple effects devices (see chart below for total per light source)

D Trim Plate

Thickness measures 0.055"; install as flange overlay

E Retention

Torsion spring clips accommodate varying ceiling thicknesses and ensure snug fit of trim against ceiling



TECHNICAL

CONSTRUCTION

Trim: Steel and aluminum; painted finishes are granulated powdercoat

LAMP

MR-16 style lamp options: 12V halogen (HAL) *max wattage is housing dependent*, ceramic metal halide (HID) *39W max*, cold cathode compact fluorescent (CCFL), light emitting diode (LED)

To ensure optimal results, it is recommended to specify lamps supplied by Lucifer Lighting* (see page 2)

HOUSING

See housing specifications (page 2)

LISTING

ETL listed for dry/damp locations

WARRANTY

Manufacturer's one year warranty guarantees product(s) listed to be free from defects in material workmanship under normal use and service. Warranty is conditional upon use of manufacturer supplied transformer or ballast.

ORDERING INFORMATION (downlight)

Example: DL1XM-W-LED

| | | |
|--------|---|--|
| DL1XM | | |
| SERIES | FINISH | LIGHT SOURCE |
| DL1XM | W Matte White B Matte Black C Polished Chrome IG Industrial Gray SS Brushed Stainless Steel | HAL Halogen HID High Intensity Discharge LED Light Emitting Diode CCFL Cold Cathode Compact Fluorescent |

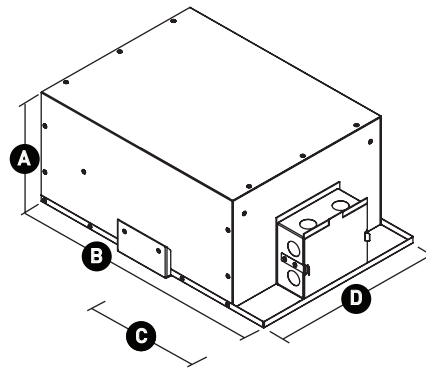
Example: 12-5-LED-MF

| | | | | |
|---|-------------------------|-----|-----|------|
| | * [] | | | |
| EFFECTS DEVICES | LAMP | | | |
| <input type="checkbox"/> FGL-2 Frosted Glass Lens (standard) <input type="checkbox"/> CGL-2 Clear Glass Lens <input type="checkbox"/> UVL-2 Ultra Violet Lens <input type="checkbox"/> SGL-2 Spread Lens <input type="checkbox"/> LSL-2 Linear Spread Lens <input type="checkbox"/> SFL-2 Soft Focus Lens <input type="checkbox"/> HCL-2 Honeycomb Louver <input type="checkbox"/> WTL-2 Warm Tone Lens <input type="checkbox"/> AGL-2 Amber Glass Lens | * Optional (see page 2) | | | |
| Light Source | HAL | HID | LED | CCFL |
| Total Effects Devices | 3 | 2 | 1 | ** |
| ** Consult factory | | | | |

IC

For use with recessed downlights in IC accessible and non-accessible ceilings up to 1" thick. Transformer compartment and all splice connections may be serviced from room side. Certified Chicago Plenum and ASTM E283 Airtight. Hanging bars are included and can be fitted to all sides of the housing.

Maximum wattage: 50W for halogen, 39W for HID.

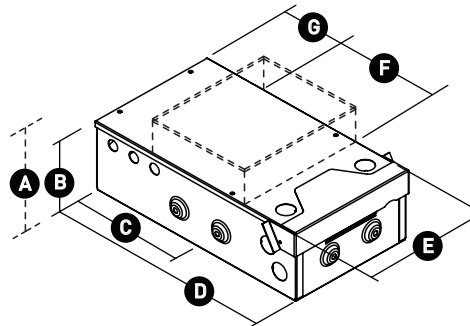


- A** 7" / 177mm
- B** 16.3" / 413mm
- C** 7.2" / 185mm (aperture centerline)
- D** 10.9" / 276mm

NON-IC

For use with recessed downlights in non-IC, non-accessible ceilings up to 1" thick. Transformer compartment and all splice connections serviceable from room side. Hanging bars are included and can be fitted to all sides of the housing for installation in spaces as narrow as 9".

Maximum wattage: 75W for halogen, 39W for HID. HID and CCFL versions come with extended top. The lowest profile housing (see measurement B) is for use with the halogen lamp.



- A** 5.1" / 129mm (HID / CCFL)
- B** 3.7" / 94mm (HAL)
- C** 6.3" / 160mm (aperture centerline)
- D** 12" / 305mm
- E** 6.8" / 172mm
- F** 6.3" / 160mm
- G** 3.3" / 84mm

ORDERING INFORMATION (housing)

| Example: DH-IC-XF-LED-5-120E | | | | | |
|------------------------------|-------------------------------------|-------------------------------|-------------------------------|-------------------------------|--|
| DH | | | | | |
| HOUSING | RATING | SERIES | LIGHT SOURCE | MAX WATTS | POWER SUPPLY (primary) |
| DH | IC IC, Airtight, CCEA NIC Non-IC | XF X Series Flange Overlay | HAL Halogen Low Voltage | 75 (NIC only) 50 (IC only) | 120E 120V Electronic 277E 277V Electronic 120M 120V Magnetic 277M 277V Magnetic REM Remote |
| | | | HID Metal Halide | 50 39 20 | 120T 120V Torroidal 120E 120V Electronic 277E 277V Electronic REM Remote |
| | | | LED Light Emitting Diode | 5 | 120E 120V Electronic |
| | | | CCFL Cold Cathode Fluorescent | 10 | 120E 120V Electronic |

ORDERING INFORMATION (lamps)*

| | | | |
|---------------|---------------------------------|--------------|---|
| 12-37-HRIR-SP | 37W IR Halogen 10° Spot | 120-20-MH-SP | 20W Ceramic Metal Halide HID 12° Spot |
| 12-37-HRIR-MF | 37W IR Halogen 25° Medium Flood | 120-20-MH-MF | 20W Ceramic Metal Halide HID 25° Medium Flood |
| 12-37-HRIR-FL | 37W IR Halogen 35° Flood | 120-20-MH-FL | 20W Ceramic Metal Halide HID 40° Flood |
| 12-37-HRIR-WF | 37W IR Halogen 60° Wide Flood | 120-39-MH-SP | 39W Ceramic Metal Halide HID 12° Spot |
| 12-50-HRIR-SP | 50W IR Halogen 10° Spot | 120-39-MH-MF | 39W Ceramic Metal Halide HID 25° Medium Flood |
| 12-50-HRIR-MF | 50W IR Halogen 25° Medium Flood | 120-39-MH-FL | 39W Ceramic Metal Halide HID 40° Flood |
| 12-50-HRIR-FL | 50W IR Halogen 35° Flood | | |
| 12-50-HRIR-WF | 50W IR Halogen 60° Wide Flood | 12-5-LED-SP | 5W MR-16 Style LED 10° Spot |
| | | 12-5-LED-MF | 5W MR-16 Style LED 25° Medium Flood |
| 12-20-HL-SP | 20W Halogen 12° Spot | CCFL | Consult factory for availability |
| 12-20-HL-MF | 20W Halogen 15° Medium Flood | | |
| 12-20-HL-FL | 20W Halogen 25° Flood | | |
| 12-50-HR-SP | 50W Halogen 15° Spot | | |
| 12-50-HR-MF | 50W Halogen 30° Medium Flood | | |
| 12-50-HR-FL | 50W Halogen 40° Flood | | |