



# DL13XM

RECESSED DOWNLIGHT  
ROUND ADJUSTABLE TOPPER

DL13XM

Online Quick Product Page Reference: DL13XM

## DESCRIPTION

### A Aiming

70° of adjustment from vertical;  
self-locking; adjustable from below

### B Special Features

Die-cast aperture lens holder; shallow  
lamp recess; may be re-lamped from  
roomside without trim removal from  
housing

### C Effects Devices

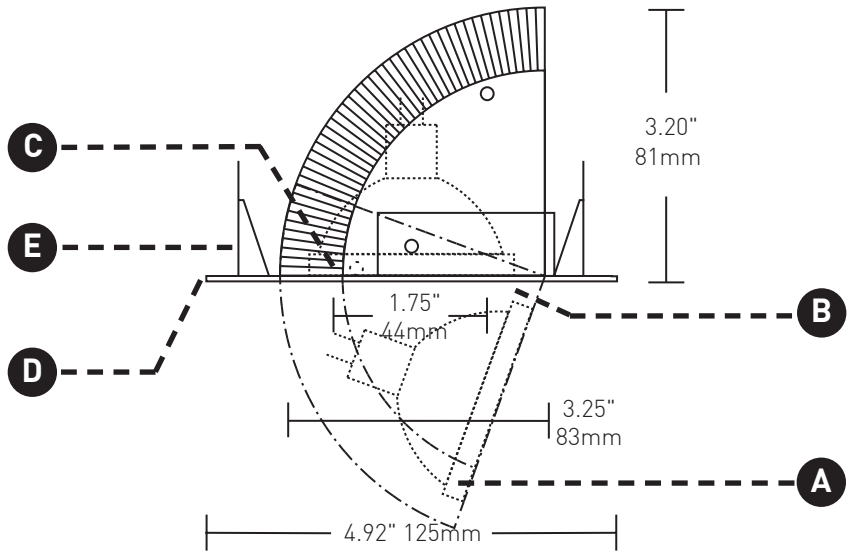
Frosted glass lens included; spring-clip  
lampholder allows secure placement of  
multiple effects devices (see chart below  
for total per light source)

### D Trim Plate

Thickness measures 0.055"; install as  
flange overlay

### E Retention

Torsion spring clips accomodate varying  
ceiling thicknesses (up to 1" with housing  
ordered separately, see page 2) and ensure  
snug fit of trim against ceiling



## TECHNICAL

### CONSTRUCTION

Trim: Steel and aluminum; painted finishes are granulated powdercoat

### LAMP

MR-16 style lamp options: 12V halogen (HAL) *max wattage is housing dependent*, light emitting diode (LED); limited to low-voltage halogen or LED lamps

To ensure optimal results, it is recommended to specify lamps supplied by Lucifer Lighting\* (see page 2)

### HOUSING

See housing specifications (page 2)

### LISTING

ETL listed for dry/damp locations

### WARRANTY

Manufacturer's one year warranty guarantees product(s) listed to be free from defects in material workmanship under normal use and service. Warranty is conditional upon use of manufacturer supplied transformer or ballast.

## ORDERING INFORMATION (downlight)

Example: DL13XM-W-HAL

DL13XM		
SERIES	FINISH	LIGHT SOURCE
DL13XM	W Matte White B Matte Black C Polished Chrome	HAL Halogen LED Light Emitting Diode

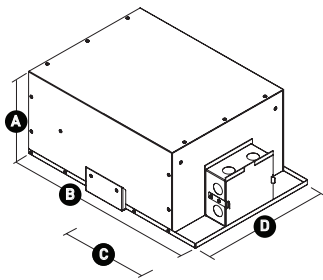
Example: 12-50-HRIR-MF

	* LAMP	
EFFECTS DEVICES	*Optional (see page 2)	
<input type="checkbox"/> FGL-1 Frosted Glass Lens (standard)		
<input type="checkbox"/> CGL-1 Clear Glass Lens		
<input type="checkbox"/> UVL-1 Ultra Violet Lens		
<input type="checkbox"/> SGL-1 Spread Lens		
<input type="checkbox"/> LSL-1 Linear Spread Lens		
<input type="checkbox"/> SFL-1 Soft Focus Lens		
<input type="checkbox"/> HCL-1 Honeycomb Louver		
<input type="checkbox"/> WTL-1 Warm Tone Lens		
Light Source	HAL	LED
Total Effects Devices	2	1

**IC**

For use with recessed downlights in IC accessible and non-accessible ceilings up to 1" thick. Transformer compartment and all splice connections may be serviced from room side. Certified Chicago Plenum and ASTM E283 Airtight. Hanging bars are included and can be fitted to all sides of the housing.

Maximum wattage: 50W for halogen.

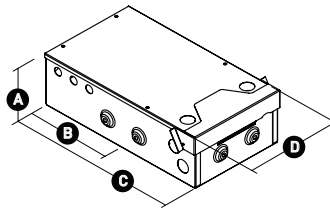


- A** 7" / 177mm
- B** 16.3" / 413mm
- C** 7.2" / 185mm (aperture centerline)
- D** 10.9" / 276mm

**NON-IC**

For use with recessed downlights in non-IC, accessible and non-accessible ceilings up to 1" thick. Transformer compartment and all splice connections serviceable from room side. Hanging bars are included and can be fitted to all sides of the housing for installation in spaces as narrow as 9".

Maximum wattage: 75W for halogen.

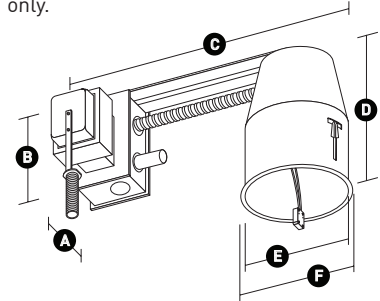


- A** 3.7" / 94mm (HAL)
- B** 6.3" / 160mm (aperture centerline)
- C** 12" / 305mm
- D** 6.8" / 172mm

**REMODEL**

For use with recessed downlights in existing non-IC accessible and non-accessible ceilings. Splice compartment and transformer assembly include adjustable leg for support and balancing in ceiling. Retractable mounting clips secured from room side accommodate ceilings up to 1" thick. Installs in ceiling through new cut-out.

Maximum wattage: 50W; for halogen use only.



- A** 4.68" / 119mm
- B** 3.47" / 88mm
- C** 11.28" / 287mm
- D** 5.97" / 152mm
- E** 4.50" / 114mm inside dia.
- F** 4.66" / 118mm lip dia.

**ORDERING INFORMATION (housing)**

HOUSING	RATING	SERIES	LIGHT SOURCE	MAX WATTS	POWER SUPPLY (primary)
DH	IC IC, Airtight, CCEA NIC Non-IC	XF X Series Flange Overlay	HAL Halogen Low Voltage	75 (NIC only) 50 (IC only)	120E 120V Electronic 277E 277V Electronic 120M 120V Magnetic 277M 277V Magnetic REM Remote
	NIC-RM Non-IC Remodel	XF X Series Flange Overlay	LED Light Emitting Diode HAL Halogen Low Voltage	50 5 50	120T 120V Torroidal 120E 120V Electronic 120E 120V Electronic 120M 120V Magnetic 277M 277V Magnetic REM Remote

Example: DH-IC-XF-HAL-50-120E

**ORDERING INFORMATION (lamps)\***

12-37-HRIR-SP	37W IR Halogen 10° Spot	12-50-HR-MF	50W Halogen 30° Medium Flood
12-37-HRIR-MF	37W IR Halogen 25° Medium Flood	12-50-HR-FL	50W Halogen 40° Flood
12-37-HRIR-FL	37W IR Halogen 35° Flood		
12-37-HRIR-WF	37W IR Halogen 60° Wide Flood	12-5-LED-SP	5W MR-16 Style LED 10° Spot
12-50-HRIR-SP	50W IR Halogen 10° Spot	12-5-LED-MF	5W MR-16 Style LED 25° Medium Flood
12-50-HRIR-MF	50W IR Halogen 25° Medium Flood		
12-50-HRIR-FL	50W IR Halogen 35° Flood		
12-50-HRIR-WF	50W IR Halogen 60° Wide Flood		
12-20-HL-SP	20W Halogen 12° Spot		
12-20-HL-MF	20W Halogen 15° Medium Flood		
12-20-HL-FL	20W Halogen 25° Flood		
12-50-HR-SP	50W Halogen 15° Spot		