



DL11XM

RECESSED DOWNLIGHT
ROUND FIXED

DL11XM

Online Quick Product Page Reference: DLCAT11XM

DESCRIPTION

A Aiming

Fixed vertical lampholder

B Special Features

Die-cast aperture lens holder; shallow lamp recess; may be re-lamped from room side without trim removal from housing

C Effects Devices

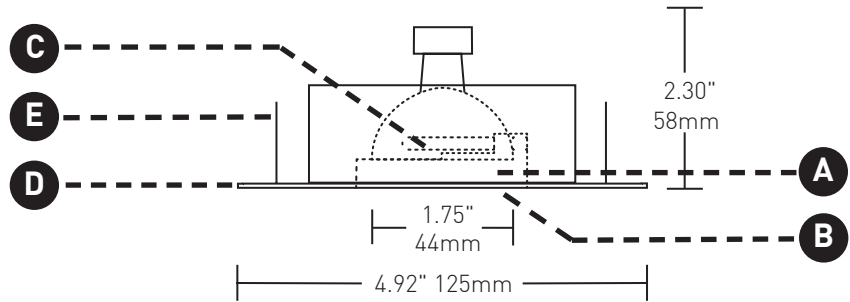
Frosted glass lens included; spring-clip lampholder allows secure placement of multiple effects devices (see chart below for total per light source)

D Trim Plate

Thickness measures 0.055"; install as flange overlay

E Retention

Torsion spring clips accommodate varying ceiling thicknesses (up to 1" with housing ordered separately, see page 2) and ensure snug fit of trim against ceiling



TECHNICAL

CONSTRUCTION

Trim: Steel and aluminum; painted finishes are granulated powdercoat

LAMP

MR-16 style lamp options: 12V halogen (**HAL**) *max wattage is housing dependent*, ceramic metal halide (**HID**) *39W max*, cold cathode compact fluorescent (**CCFL**), light emitting diode (**LED**)

To ensure optimal results, it is recommended to specify lamps supplied by Lucifer Lighting* (see page 2)

HOUSING

See housing specifications (page 2)

LISTING

ETL listed for dry/damp locations

WARRANTY

Manufacturer's one year warranty guarantees product(s) listed to be free from defects in material workmanship under normal use and service. Warranty is conditional upon use of manufacturer supplied transformer or ballast.

ORDERING INFORMATION (downlight)

Example: DL11XM-W-HAL

Example: 12-50-HRIR-MF

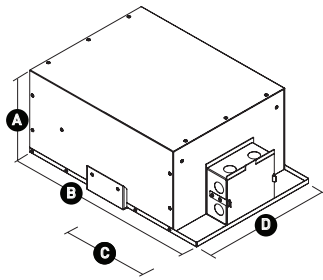
DL11XM		
SERIES	FINISH	LIGHT SOURCE
DL11XM	W Matte White B Matte Black C Polished Chrome	HAL Halogen HID High Intensity Discharge LED Light Emitting Diode CCFL Cold Cathode Compact Fluorescent

	* Optional (see page 2)				
EFFECTS DEVICES	LAMP				
<input type="checkbox"/> FGL-1 Frosted Glass Lens (standard) <input type="checkbox"/> CGL-1 Clear Glass Lens <input type="checkbox"/> UVL-1 Ultra Violet Lens <input type="checkbox"/> SGL-1 Spread Lens <input type="checkbox"/> LSL-1 Linear Spread Lens <input type="checkbox"/> SFL-1 Soft Focus Lens <input type="checkbox"/> HCL-1 Honeycomb Louver <input type="checkbox"/> WTL-1 Warm Tone Lens	* Optional (see page 2)				
	Light Source	HAL	HID	LED	CCFL
	Total Effects Devices	2	1	2	1

IC

For use with recessed downlights in IC accessible and non-accessible ceilings up to 1" thick. Transformer compartment and all splice connections may be serviced from room side. Certified Chicago Plenum and ASTM E283 Airtight. Hanging bars are included and can be fitted to all sides of the housing.

Maximum wattage: 50W for halogen, 39W for HID.

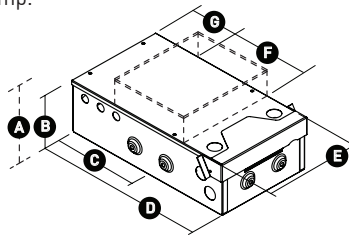


- A** 7" / 177mm
- B** 16.3" / 413mm
- C** 7.2" / 185mm (aperture centerline)
- D** 10.9" / 276mm

NON-IC

For use with recessed downlights in non-IC, accessible and non-accessible ceilings up to 1" thick. Transformer compartment and all splice connections serviceable from room side. Hanging bars are included and can be fitted to all sides of the housing for installation in spaces as narrow as 9".

Maximum wattage: 75W for halogen, 39W for HID. HID and CCFL versions come with extended top. The lowest profile housing (see measurement B) is for use with the halogen lamp.

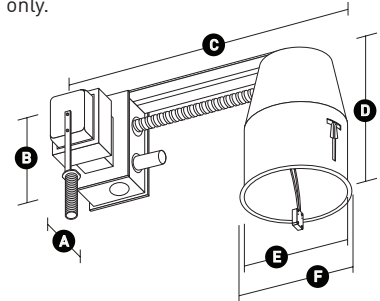


- A** 5.1" / 129mm (HID / CCFL)
- B** 3.7" / 94mm (HAL)
- C** 6.3" / 160mm
- D** 12" / 305mm
- E** 6.8" / 172mm
- F** 6.3" / 160mm
- G** 3.3" / 84mm

REMODEL

For use with recessed downlights in existing non-IC accessible and non-accessible ceilings. Splice compartment and transformer assembly include adjustable leg for support and balancing in ceiling. Retractable mounting clips secured from room side accommodate ceilings up to 1" thick. Installs in ceiling through new cut-out.

Maximum wattage: 50W; for halogen use only.



- A** 4.68" / 119mm
- B** 3.47" / 88mm
- C** 11.28" / 287mm
- D** 5.97" / 152mm
- E** 4.50" / 114mm inside dia.
- F** 4.66" / 118mm lip dia.

ORDERING INFORMATION (housing)

HOUSING	RATING	SERIES	LIGHT SOURCE	MAX WATTS	POWER SUPPLY (primary)
DH	IC, Airtight, CCEA NIC Non-IC	XF X Series Flange Overlay	HAL Halogen Low Voltage	75 (NIC only) 50 (IC only)	120E 120V Electronic 277E 277V Electronic 120M 120V Magnetic 277M 277V Magnetic REM Remote
			HID Metal Halide	50 39 20	120T 120V Torroidal 120E 120V Electronic 277E 277V Electronic REM Remote
			LED Light Emitting Diode	5	120E 120V Electronic
			CCFL Cold Cathode Fluorescent	10	120E 120V Electronic
NIC-RM Non-IC Remodel		XF X Series Flange Overlay	HAL Halogen Low Voltage	50	120E 120V Electronic 120M 120V Magnetic 277M 277V Magnetic REM Remote

Example: DH-IC-XF-HAL-50-120E

ORDERING INFORMATION (lamps)*

12-37-HRIR-SP	37W IR Halogen 10° Spot	12-50-HR-MF	50W Halogen 30° Medium Flood
12-37-HRIR-MF	37W IR Halogen 25° Medium Flood	12-50-HR-FL	50W Halogen 40° Flood
12-37-HRIR-FL	37W IR Halogen 35° Flood		
12-37-HRIR-WF	37W IR Halogen 60° Wide Flood	120-20-MH-SP	20W Ceramic Metal Halide HID 12° Spot
12-50-HRIR-SP	50W IR Halogen 10° Spot	120-20-MH-MF	20W Ceramic Metal Halide HID 25° Medium Flood
12-50-HRIR-MF	50W IR Halogen 25° Medium Flood	120-20-MH-FL	20W Ceramic Metal Halide HID 40° Flood
12-50-HRIR-FL	50W IR Halogen 35° Flood	120-39-MH-SP	39W Ceramic Metal Halide HID 12° Spot
12-50-HRIR-WF	50W IR Halogen 60° Wide Flood	120-39-MH-MF	39W Ceramic Metal Halide HID 25° Medium Flood
		120-39-MH-FL	39W Ceramic Metal Halide HID 40° Flood
12-20-HL-SP	20W Halogen 12° Spot		
12-20-HL-MF	20W Halogen 15° Medium Flood	12-5-LED-SP	5W MR-16 Style LED 10° Spot
12-20-HL-FL	20W Halogen 25° Flood	12-5-LED-MF	5W MR-16 Style LED 25° Medium Flood
12-50-HR-SP	50W Halogen 15° Spot		
		CCFL	Consult factory for availability