



DH-NIC-TZ

RECESSED DOWNLIGHT HOUSING
LINEA NON-IC

DH-NIC-TZ

Online Quick Product Page Reference: DLCA7NIC-TZ

DESCRIPTION

• Trims

Single housing, 2-ganged (dual), or 3-ganged (triple) housing system is configurable to accept up to 3 Z series trims

• Ceiling

Use in non-IC, accessible and non-accessible ceilings up to 1" thick

• Electrical Rating

37W maximum lamp with 90°C supply wire

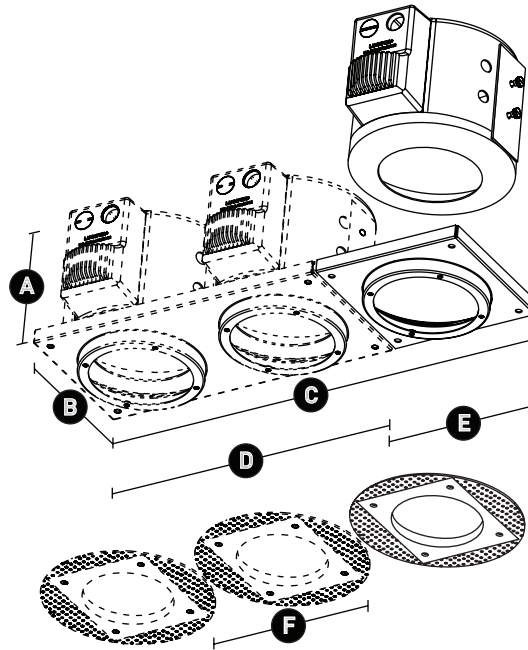
Rated for through conductor or multibranch circuit supply wiring

• Servicing

Transformer compartment and splice connections installed, serviceable from room side

• Flange

Offered in flange overlay or zero-sightline configuration (specify round or square appliqué for zero-sightline applications); multiple housing framing ensures consistent on-center alignment and spacing



- A** 5" / 127mm
- B** 6" / 152mm
- C** 18.75" / 476mm (triple)
- D** 12.5" / 318mm (dual)
- E** 6.25" / 159mm (single)
- F** 6" / 152mm

TECHNICAL

CONSTRUCTION

Housing: Steel and riveted aluminum

POWER SUPPLY

See power supply selection below

LISTING

U.L. listed for dry and damp, non-IC locations. To fulfill UL/NEC requirements, housing must have:

- Minimum 3" setback from insulation on all sides
- Minimum 1/2" setback from combustible materials on all sides

WARRANTY

Manufacturer's one year warranty guarantees product(s) listed to be free from defects in material or workmanship under normal use and service. Warranty is conditional upon use of manufacturer supplied transformer or ballast.

ORDERING INFORMATION

EX: DH-NIC-TZO-2-HAL-37-120E

| HOUSING: | RATING | SERIES | LIGHT SOURCE | MAX WATTS | POWER SUPPLY (primary) | APPLIQUÉ |
|----------|------------|--|----------------------------|-----------|------------------------------------|---|
| DH | NIC Non-IC | TZO-1 Zero-sightline, Single TZO-2 Zero-sightline, Dual TZO-3 Zero-sightline, Triple TZF-1 Flange overlay, Single TZF-2 Flange overlay, Dual TZF-3 Flange overlay, Triple | HAL Halogen Low Voltage | 37 | 120E 120V Electronic REM Remote | DLA-APP-Z-RD-T Round DLA-APP-Z-SQ-T Square |



luciferlighting.com

©2009 Lucifer Lighting Company
As part of its policy of continuous research and product development, the company reserves the right to change or withdraw specifications without prior notice.

3750 IH35 North
San Antonio, Texas 78219
[PH] +1-210-227-7329
[FAX] +1-210-227-4967