



# DH-NIC-SM2

DH-NIC-SM2

RECESSED DOWNLIGHT HOUSING  
GEMINI SQUARE MODULAR NON-IC

Online Quick Product Page Reference: DLCA7NIC-SM2

## DESCRIPTION

### Multiple Trims

Accepts a combination of 2 square trims:  
DL31ZP, DL35ZP and DL38ZP

### Ceiling

Use in non-IC, accessible and  
non-accessible ceilings up to 1" thick

### Electrical Rating

50W maximum lamp with 90°C supply  
wire

Rated for through conductor or  
multibranch circuit supply wiring

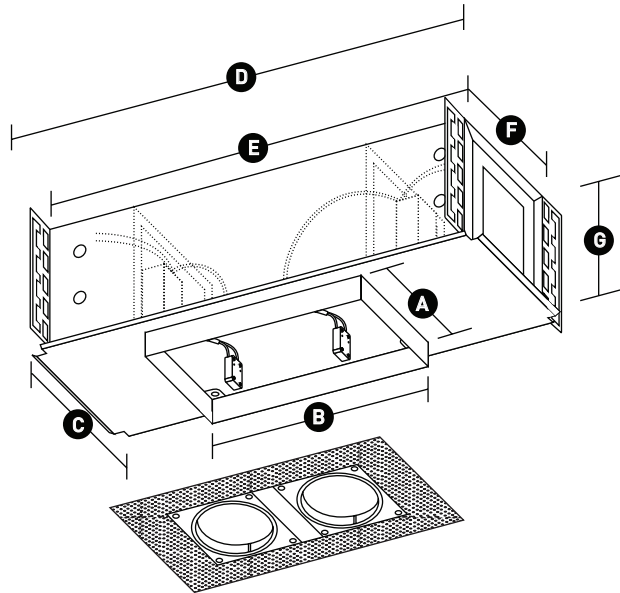
### Servicing

Transformer compartment and splice  
connections installed, serviceable from  
room side

### Flange

Offered in zero-sightline only; supplied  
with Model DLA-APP-SM2 appliqué kit

DLA-APP-SM2 incorporates a  
reinforcing zinc plated steel screen for  
applying joint compound when used in a  
drywall or plaster ceiling



- A** 4.20" / 107mm
- B** 9.20" / 234mm
- C** 10.20" / 259mm
- D** 18.38" / 467mm
- E** 17.20" / 436mm
- F** 7.60" / 193mm
- G** 5.13" / 130mm

## TECHNICAL

### CONSTRUCTION

Housing: Steel

### POWER SUPPLY

2 dimmable electronic transformers

### APPLIQUÉ

Supplied with DLA-APP-SM2

### LISTING

U.L. listed for dry and damp, non-IC,  
CCEA Chicago Plenum locations. To  
fullfill UL/NEC requirements, housing  
must have:

- Minimum 3" setback from  
insulation on all sides
- Minimum 1/2" setback from  
combustible materials on all  
sides

### WARRANTY

Manufacturer's one year warranty  
guarantees product(s) listed to be free  
from defects in material or  
workmanship under normal use and  
service. Warranty is conditional upon  
use of manufacturer supplied  
transformer or ballast.

## ORDERING INFORMATION

### HOUSING

EX: DH-NIC-SM2-HAL-50-120E

DH	NIC		HAL		
HOUSING	RATING	SERIES	LIGHT SOURCE	MAX WATTS	POWER SUPPLY
DH	NIC Non-IC	SM2 Gemini Square Modular	HAL Halogen	50	120E 120v Electronic REM Remote