



DH-NIC-RM

DH-NIC-RM

RECESSED DOWNLIGHT HOUSING
REMODEL NON-IC

DESCRIPTION

Multiple Trims

For use with the following X Series trims:
DL1X, DL1XM, DL1XMM, DL1XP,
DL1XMP, DL1XMMP, DL2RX, DL2RXM,
DL2RXMM, DL2RXP, DL2RXMP,
DL2RXMMP, DL4X, DL4XM, DL5XP,
DL5XMP, DL5XMMP, DL11X, DL11XM,
DL12X, DL15X, DL15XM, DL18XM,
DL21X, DL21XCP

Ceiling

Use in non-IC, accessible and non-accessible, remodel ceilings up to 1" thick; installs into existing construction through new cut-out; adjustable support leg; secured from room side with retractable mounting clips

Electrical Rating

50W maximum lamp with 90°C supply wire

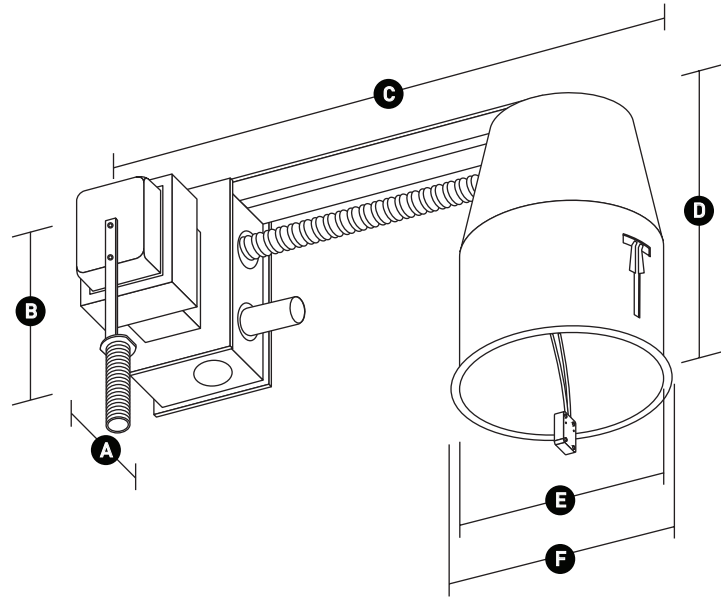
Rated for through conductor or multibranch circuit supply wiring

Servicing

Transformer compartment and splice connections installed, serviceable from room side upon housing removal

Flange

Offered in flange overlay only



- A** 4.68" / 119mm
- B** 3.47" / 188mm
- C** 11.28" / 287mm
- D** 5.97" / 152mm
- E** 4.37" / 111mm can dia.
- F** 4.66" / 118mm lip dia.

Ceiling cut-out dia.
4.375" / 111mm

TECHNICAL

CONSTRUCTION

Housing: Steel

POWER SUPPLY

See power supply selection below

LISTING

U.L. listed for dry and damp, non-IC locations. To fulfill UL/NEC requirements, housing must have:

- Minimum 3" setback from insulation on all sides
- Minimum 1/2" setback from combustible materials on all sides

WARRANTY

Manufacturer's one year warranty guarantees product(s) listed to be free from defects in material or workmanship under normal use and service. Warranty is conditional upon use of manufacturer supplied transformer or ballast.

ORDERING INFORMATION

DH	NIC-RM	XF	HAL	50	EX: DH-NIC-RM-XF-HAL-50-120M
HOUSING	RATING	SERIES	LIGHT SOURCE	MAX WATTS	POWER SUPPLY (primary)
DH	NIC-RM Non-IC Remodel	XF X Series Flange Overlay	HAL Halogen Low Voltage	50	120E 120V Electronic 120M 120V Magnetic 277M 277V Magnetic REM Remote