



DH-NIC-RM

RECESSED DOWNLIGHT HOUSING
REMODEL NON-IC

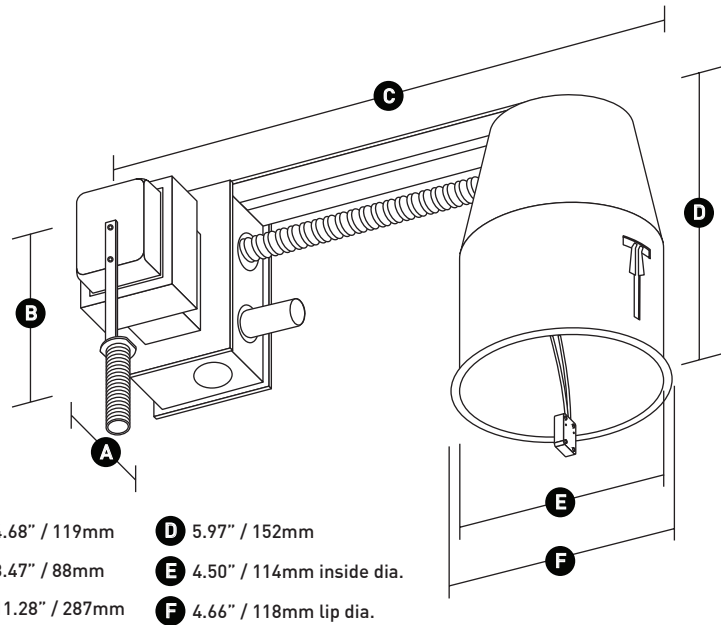
DH-NIC-RM

Online Quick Product Page Reference: DLCATNIC-RM

DESCRIPTION

- Multiple Trims**
 Accepts most standard X series trims
- Ceiling**
 Use in non-IC, accessible and non-accessible, remodel ceilings up to 1" thick; installs into existing construction through new cut-out; adjustable support leg; secured from room side with retractable mounting clips
- Electrical Rating**
 50W maximum lamp with 90°C supply wire

 Rated for through conductor or multibranch circuit supply wiring
- Servicing**
 Transformer compartment and splice connections installed, serviceable from room side upon housing removal
- Flange**
 Offered in flange overlay only



TECHNICAL

CONSTRUCTION

Housing: Steel

POWER SUPPLY

See power supply selection below

LISTING

U.L. listed for dry and damp, non-IC locations. To fulfill UL/NEC requirements, housing must have:

- Minimum 3" setback from insulation on all sides
- Minimum 1/2" setback from combustible materials on all sides

WARRANTY

Manufacturer's one year warranty guarantees product(s) listed to be free from defects in material or workmanship under normal use and service. Warranty is conditional upon use of manufacturer supplied transformer or ballast.

ORDERING INFORMATION

EX: DH-NIC-RM-XF-HAL-50-120M						
DH	NIC-RM	XF	HAL	50		
HOUSING	RATING	SERIES	LIGHT SOURCE	MAX WATTS	POWER SUPPLY (primary)	
DH	NIC-RM Non-IC Remodel	XF X Series Flange Overlay	HAL Halogen Low Voltage	50	120E 120V Electronic	120M 120V Magnetic
					277M 277V Magnetic	REM Remote