



DH-NIC-LD

RECESSED DOWNLIGHT HOUSING

LUCID™ NON-IC

DH-NIC-LD

Online Quick Product Page Reference: DLCA7NIC-LD

DESCRIPTION

• Special Features

Combination downlight with housing; integral lampholder is adjustable in two axes from room side: up to 20° tilt and 360° pan

• Effects Devices

Lamp spill light within housing makes square translucent perimeter lens glow when lamp is illuminated; downlighting and lens glow achieved with single lamp; recommended for use with 37W IR lamp

• Ceiling

Use in non-IC, accessible and non-accessible ceilings up to 1" thick

• Electrical Rating

37W maximum lamp with 90°C supply wire

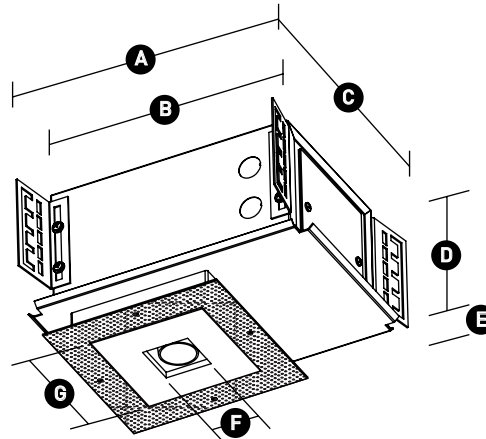
Rated for through conductor or multibranch circuit supply wiring

• Servicing

Transformer compartment and splice connections installed, serviceable from roomside

• Flange

Includes appliqué system which allows for zero-sightline installation



- A** 11.50" / 292mm
- B** 9.50" / 241mm
- C** 8.25" / 210mm
- D** 5.13" / 130mm
- E** 1.00" / 25mm
- F** 1.8" / 46mm square
- G** 4.5" / 114mm square

TECHNICAL

CONSTRUCTION

Housing: Steel

Lampholder: Machined aluminum

Lens: Polycarbonate

POWER SUPPLY

See power supply selection below

LISTING

U.L. listed for dry and damp, non-IC, CCEA Chicago Plenum locations. To fulfill UL/NEC requirements, housing must have:

- Minimum 3" setback from insulation on all sides
- Minimum 1/2" setback from combustible materials on all sides

WARRANTY

Manufacturer's one year warranty guarantees product(s) listed to be free from defects in material or workmanship under normal use and service. Warranty is conditional upon use of manufacturer supplied transformer or ballast.

ORDERING INFORMATION

EX: DH-NIC-LD-HAL-37-120E					
HOUSING	RATING	SERIES	LIGHT SOURCE	MAX WATTS	POWER SUPPLY (primary)
DH	NIC Non-IC	LD Lucid	HAL Halogen Low Voltage LED Light Emitting Diode	37 5	120E 120V Electronic 120E 120V Electronic