



# DH-NIC-JVC2

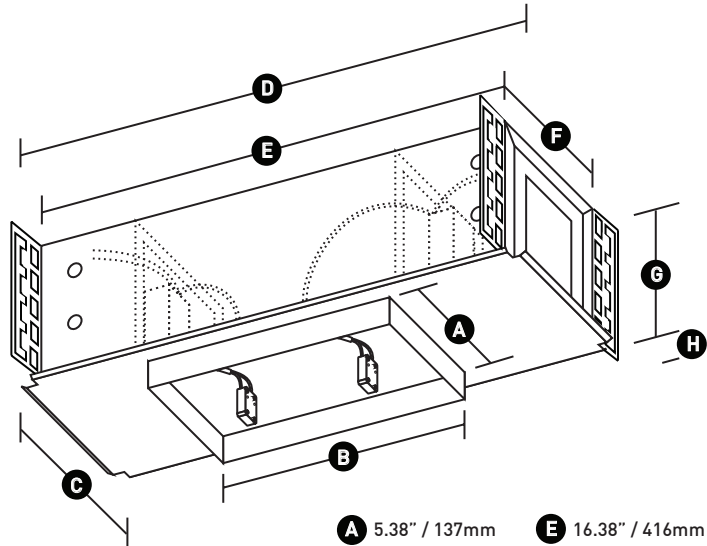
RECESSED DOWNLIGHT HOUSING  
JAVA 2 NON-IC

DH-NIC-JVC2

Online Quick Product Page Reference: DLCA7NIC-JVC2

## DESCRIPTION

- **Trims**  
Accepts Java 2 trim assembly
- **Ceiling**  
Use in non-IC, accessible and non-accessible ceilings up to 1" thick
- **Electrical Rating**  
50W maximum lamp with 90°C supply wire  
  
Rated for through conductor or multibranch circuit supply wiring
- **Servicing**  
Transformer compartment and splice connections installed, serviceable from room side
- **Flange**  
Offered in flange overlay only



- A** 5.38" / 137mm
- B** 9.00" / 229mm
- C** 7.50" / 191mm
- D** 18.38" / 467mm
- E** 16.38" / 416mm
- F** 6.50" / 165mm
- G** 5.13" / 130mm
- H** 1.00" / 25mm

## TECHNICAL

### CONSTRUCTION

Housing: Steel

### POWER SUPPLY

See power supply selection below

### LISTING

U.L. listed for dry and damp, non-IC, CCEA Chicago Plenum locations. To fulfill UL/NEC requirements, housing must have:

- Minimum 3" setback from insulation on all sides
- Minimum 1/2" setback from combustible materials on all sides

### WARRANTY

Manufacturer's one year warranty guarantees product(s) listed to be free from defects in material or workmanship under normal use and service. Warranty is conditional upon use of manufacturer supplied transformer or ballast.

## ORDERING INFORMATION

EX: DH-NIC-JVC2-LED-5-120E						
HOUSING	RATING	SERIES	LIGHT SOURCE	MAX WATTS	POWER SUPPLY (primary)	
DH	NIC Non-IC	JVC2 Java 2	HAL Halogen Low Voltage LED Light Emitting Diode	50 5	120E 120V Electronic	