



# DH-NIC-JVC1

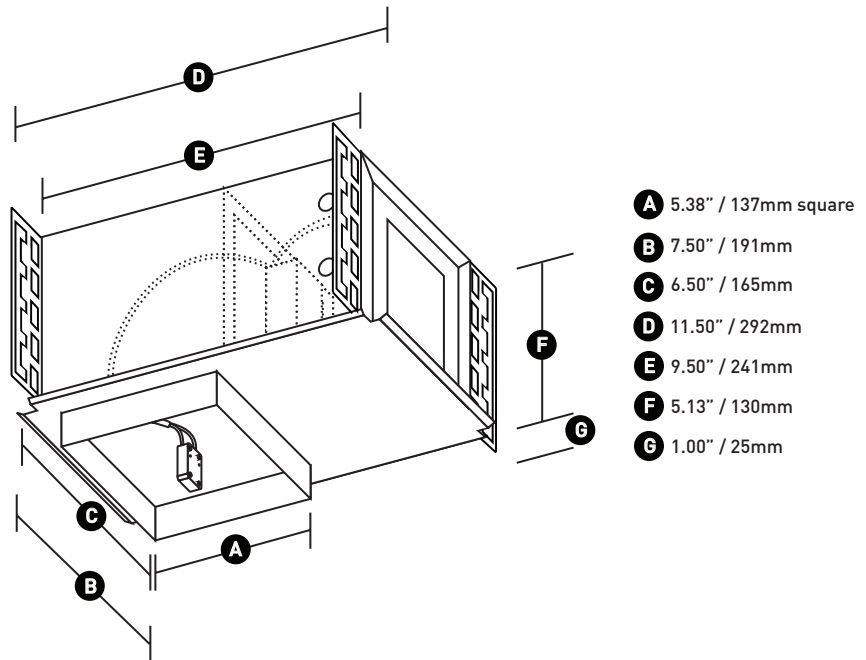
DH-NIC-JVC1

RECESSED DOWNLIGHT HOUSING  
JAVA 1 NON-IC

Online Quick Product Page Reference: DLCA7NIC-JVC1

## DESCRIPTION

- **Trims**  
Accepts Java 1 trim assembly
- **Ceiling**  
Use in non-IC, accessible and non-accessible ceilings up to 1" thick
- **Electrical Rating**  
50W maximum lamp with 90°C supply wire  
  
Rated for through conductor or multibranch circuit supply wiring
- **Servicing**  
Transformer compartment and splice connections installed, serviceable from room side
- **Flange**  
Offered in flange overlay only



## TECHNICAL

### CONSTRUCTION

Housing: Steel

### POWER SUPPLY

See power supply selection below

### LISTING

U.L. listed for dry and damp, non-IC, CCEA Chicago Plenum locations. To fulfill UL/NEC requirements, housing must have:

- Minimum 3" setback from insulation on all sides
- Minimum 1/2" setback from combustible materials on all sides

### WARRANTY

Manufacturer's one year warranty guarantees product(s) listed to be free from defects in material or workmanship under normal use and service. Warranty is conditional upon use of manufacturer supplied transformer or ballast.

## ORDERING INFORMATION

HOUSING	RATING	SERIES	LIGHT SOURCE	MAX WATTS	POWER SUPPLY (primary)
DH	NIC Non-IC	JVC1 Java 1	HAL Halogen Low Voltage	50	120E 120V Electronic 120M 120V Magnetic 277M 277V Magnetic REM Remote
			LED Light Emitting Diode	5	120E 120V Electronic

EX: DH-NIC-JVC1-LED-5-120E