



DH-NIC

RECESSED DOWNLIGHT HOUSING
UNIVERSAL NON-IC

DH-NIC

Online Quick Product Page Reference: DLCA7NIC

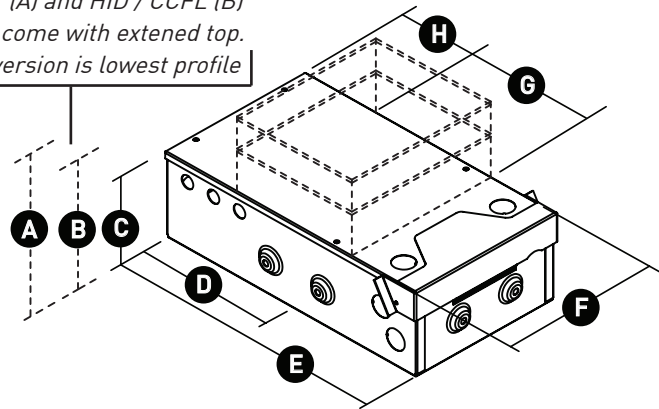
DESCRIPTION

- Multiple Trims**
 Accepts any standard Z or X series trim
- Ceiling**
 Use in non-IC, accessible and non-accessible ceilings up to 1" thick
- Electrical Rating**
 75W maximum lamp with 90°C supply wire

 Rated for through conductor or multibranch circuit supply wiring
- Servicing**
 Transformer compartment and splice connections installed, serviceable from room side
- Flange**
 Offered in zero-sightline* or flange overlay configuration.

 *Appliqué kits incorporate a reinforcing zinc plated steel screen for applying joint compound when used in a drywall or plaster ceiling (see page 2)

CFL / Par (A) and HID / CCFL (B) versions come with extended top. HAL (C) version is lowest profile



- | | | |
|---|-----------------------|-----------------------------|
| A 7" / 177mm (CFL / Par) | E 12" / 305mm | Ceiling cut-out dia. |
| B 5.1" / 129mm (HID / CCFL) | F 6.8" / 172mm | XF: 4.5" / 114mm |
| C 3.7" / 94mm (HAL) | G 6.3" / 160mm | ZF: 3.5" / 89mm |
| D 6.3" / 160mm (aperture centerline) | H 3.3" / 84mm | ZO: 5" / 127mm |

TECHNICAL

CONSTRUCTION

Housing: Steel

POWER SUPPLY

See power supply selection below

APPLIQUÉ

Specify separately (see page 2)

LISTING

ETL listed for dry and damp, non-IC locations. To fulfill UL/NEC requirements, housing must have:

- Minimum 3" setback from insulation on all sides
- Minimum 1/2" setback from combustible materials on all sides

WARRANTY

Manufacturer's one year warranty guarantees product(s) listed to be free from defects in material or workmanship under normal use and service. Warranty is conditional upon use of manufacturer supplied transformer or ballast.

ORDERING INFORMATION

HOUSING	RATING	SERIES	LIGHT SOURCE	MAX WATTS	POWER SUPPLY (primary)
DH	NIC Non-IC	XF X Series Flange Overlay ZF Z Series Flange Overlay ZO Z Series Zero-Sightline	HAL Halogen Low Voltage MV Halogen Mains / Line Voltage HID Metal Halide LED Light Emitting Diode CCFL Cold Cathode Fluorescent CFL Compact Fluorescent	75 50 75 39 20 5 10 18	EX: DH-NIC-ZO-LED-5-120E 120E 120V Electronic 277E 277V Electronic 120M 120V Magnetic 277M 277V Magnetic REM Remote 120T 120V Torroidal 120 120V Mains Voltage 120E 120V Electronic 277E 277V Electronic REM Remote 120E 120V Electronic 120E 120V Electronic UNI Universal

ZERO-SIGHTLINE

APPLIQUÉS

ROUND AND SQUARE

DESCRIPTION

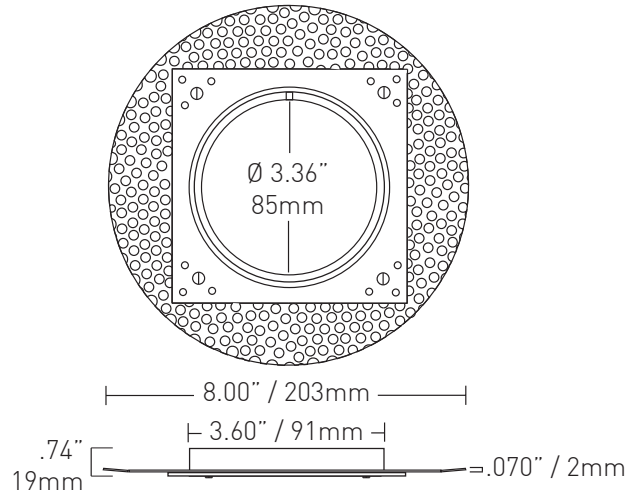
• Appliqué

Round and square appliques are necessary to complete a Z Series zero-sightline installation. Available in standard and reduced profile versions. All models include a removable plaster plug to ensure flush trim fit after mudding.

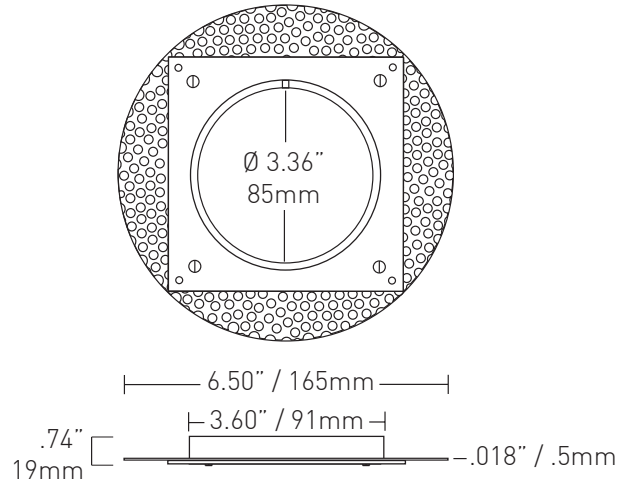
DLA-APP-Z-RD-3 and DLA-APP-Z-SQ-3 are recommended for all applications as they provide maximum structural reinforcement.

DLA-APP-Z-RD-5 and DLA-APP-Z-SQ-5 have a thinner profile and smaller diameter and are optional for installations where a thinner profile to apply mudding is preferred.

DLA-APP-Z-RD-3



DLA-APP-Z-SQ-5



TECHNICAL

CONSTRUCTION

Steel and aluminum, nylon screws

WARRANTY

Manufacturer's one year warranty guarantees product(s) listed to be free from defects in material or workmanship under normal use and service. Warranty is conditional upon use of manufacturer supplied transformer or ballast.

ORDERING INFORMATION

EX: DLA-APP-Z-RD-3

DLA-APP-Z		
APPLIQUE	TRIM SHAPE	PROFILE
DLA-APP-Z	RD Round	-3 Recommended
	SQ Square	-5 Level 5 Ceilings