



DH-IC

RECESSED DOWNLIGHT HOUSING
UNIVERSAL IC

DH-IC

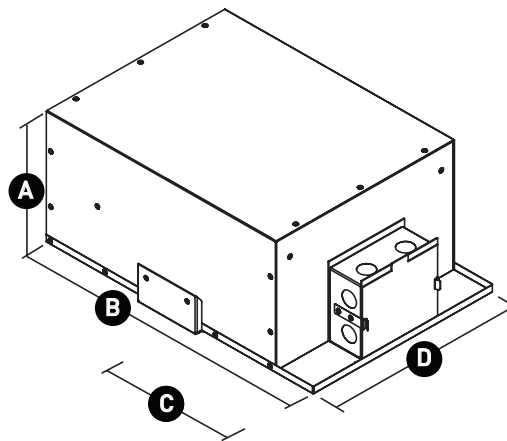
Online Quick Product Page Reference: DLCATIC

DESCRIPTION

- **Multiple Trims**
Accepts any standard Z or X series trim
- **Ceiling**
Use in IC, accessible and non-accessible ceilings up to 1" thick
- **Electrical Rating**
50W maximum lamp with 90°C supply wire

Rated for through conductor or multibranch circuit supply wiring
- **Servicing**
Transformer compartment and splice connections installed, serviceable from room side
- **Flange**
Offered in zero-sightline* or flange overlay configuration.

*Appliqué kits incorporate a reinforcing zinc plated steel screen for applying joint compound when used in a drywall or plaster ceiling (see page 2)



- A** 7" / 177mm
 - B** 16.3" / 413mm
 - C** 7.2" / 185mm (aperture centerline)
 - D** 10.9" / 276mm
- Ceiling cut-out dia.**
- XF:** 4.5" / 114mm
 - ZF:** 3.5" / 89mm
 - ZO:** 5" / 127mm

TECHNICAL

CONSTRUCTION

Housing: Steel and riveted aluminum

POWER SUPPLY

See power supply selection below

APPLIQUÉ

Specify separately (see page 2)

LISTING

ETL listed for dry and damp, IC, ASTM E283 Airtight and CCEA Chicago Plenum locations. Under UL/NEC requirements, housing may have:

- Contact with insulation on all sides
- Contact with combustible materials on all sides

WARRANTY

Manufacturer's one year warranty guarantees product(s) listed to be free from defects in material or workmanship under normal use and service. Warranty is conditional upon use of manufacturer supplied transformer or ballast.

ORDERING INFORMATION

EX: DH-IC-ZO-LED-5-120E

DH	IC				
HOUSING	RATING	SERIES	LIGHT SOURCE	MAX WATTS	POWER SUPPLY (primary)
DH	IC, Airtight, CCEA	XF X Series Flange Overlay ZF Z Series Flange Overlay ZO Z Series Zero-Sightline	HAL Halogen Low Voltage MV Halogen Mains / Line Voltage HID Metal Halide	50 50 39 20	120E 120V Electronic 277E 277V Electronic 120T 120V Torroidal 120M 120V Magnetic 277M 277V Magnetic REM Remote 120 120V Mains Voltage 120E 120V Electronic 277E 277V Electronic REM Remote 120E 120V Electronic 120E 120V Electronic UNI Universal
			LED Light Emitting Diode	5	120E 120V Electronic
			CCFL Cold Cathode Fluorescent	10	120E 120V Electronic
			CFL Compact Fluorescent	18	UNI Universal

page 1

ZERO-SIGHTLINE

APPLIQUÉS

ROUND AND SQUARE

DESCRIPTION

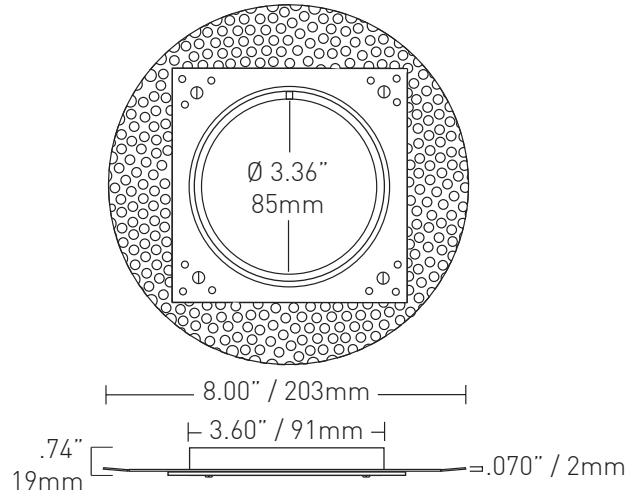
• Appliqué

Round and square appliques are necessary to complete a Z Series zero-sightline installation. Available in standard and reduced profile versions. All models include a removable plaster plug to ensure flush trim fit after mudding.

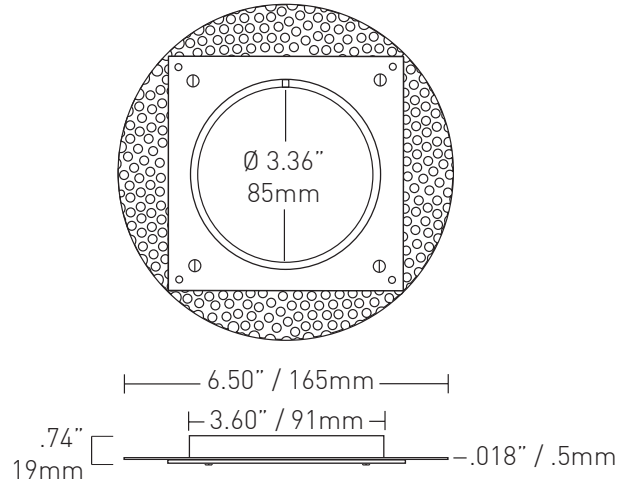
DLA-APP-Z-RD-3 and DLA-APP-Z-SQ-3 are recommended for all applications as they provide maximum structural reinforcement.

DLA-APP-Z-RD-5 and DLA-APP-Z-SQ-5 have a thinner profile and smaller diameter and are optional for installations where a thinner profile to apply mudding is preferred.

DLA-APP-Z-RD-3



DLA-APP-Z-SQ-5



TECHNICAL

CONSTRUCTION

Steel and aluminum, nylon screws

WARRANTY

Manufacturer's one year warranty guarantees product(s) listed to be free from defects in material or workmanship under normal use and service. Warranty is conditional upon use of manufacturer supplied transformer or ballast.

ORDERING INFORMATION

EX: DLA-APP-Z-RD-3		
APPLIQUE	TRIM SHAPE	PROFILE
DLA-APP-Z	RD Round	-3 Recommended
	SQ Square	-5 Level 5 Ceilings