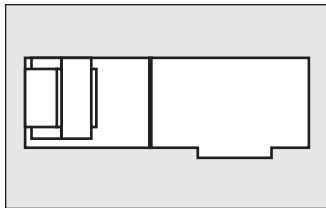


DHX - Housing

RECESSED DOWNLIGHT HOUSING



PRODUCT SPECIFICATION

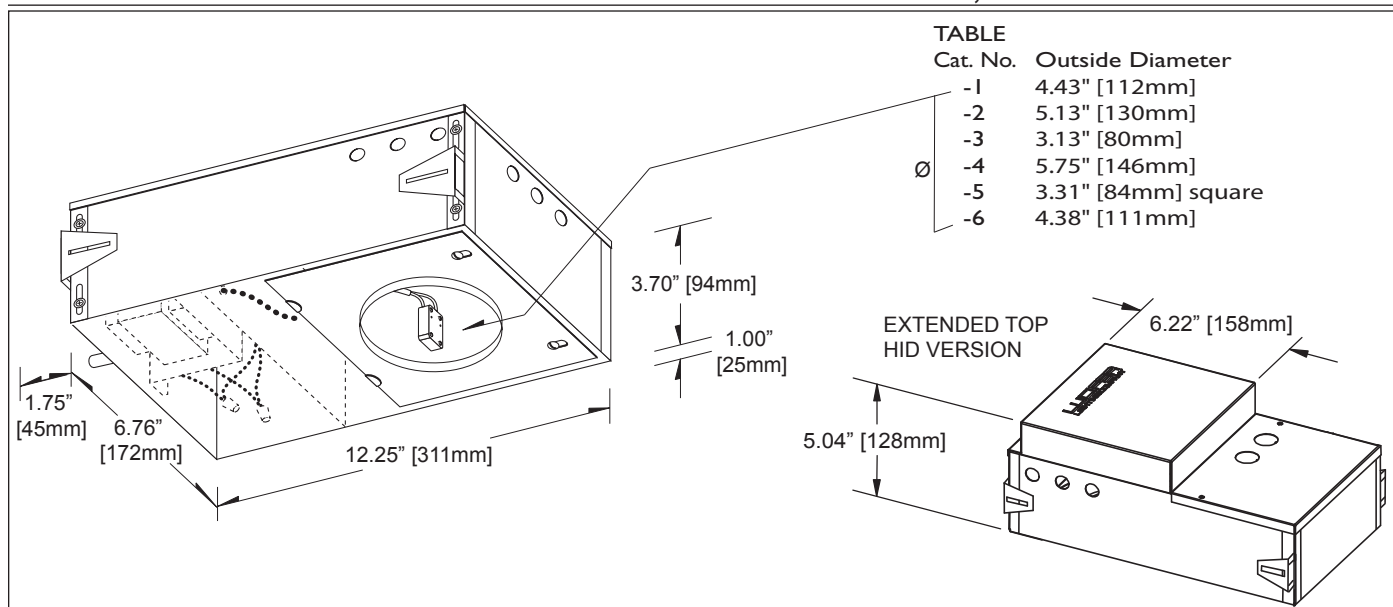
Cat. No.	Description
DHX-M-**-**	Housing with integral 12v magnetic transformer
DHX-E-120-**-**	Housing with integral 12v electronic transformer
DHX-R-**-**	Housing for use with remote transformer ‡
DHX-MH-ES16-20-120E	HID housing with 20w electronic ballast
DHX-MH-ES16-39-120E	HID housing with 39w electronic ballast

* Specify **120**(120v primary) or **277**(277v primary)

** Specify 1, 2, 3, 4, 5, or 6

‡ Remote transformer must be ordered separately.

‡‡ HID available in 120V AC only.



TABLE

Cat. No.	Outside Diameter
-1	4.43" [112mm]
-2	5.13" [130mm]
-3	3.13" [80mm]
-4	5.75" [146mm]
-5	3.31" [84mm] square
-6	4.38" [111mm]

DHX HOUSING

GENERAL DESCRIPTION

Recessed housing for use in accessible and non-accessible, non-insulated ceilings, complete with integral transformer. Can be ordered for use with remote transformer. Steel hanging bars and brackets are also included. Compatible Lucifer downlight trims for use with -1 housing include models: DL1X, DL1XM, DL2X, DL2XM, DL2RX, DL2RXM, DL2RXMM, DL4X, DL4XM, DL5X, DL5XM, DL7, DL8, DL11X, DL11XM, DL12X, DL13, DL13M, DL15X, DL15XM, DL16X, DL18 (75w maximum), and DL21X (50w maximum). Use -2 housing for DL19X (75w maximum). Use -3 housing in accessible ceilings only with smaller diameter trim models: DL1, DL2, DL2R, DL10, DL11, DL14, DL15, and DL23 (50w maximum). Use -4 housing for SDL13 (75w maximum). Use -5 housing in accessible ceilings only with smaller square trim models: DL12 and DL16 (50w maximum). Use -6 housing for DL2RXM-20P and DL2RXM-50P (50w maximum).

MATERIAL

Fixture housing is fabricated steel.

ACCESSORIES

Custom Faceplate (CFP) inset for use with DHX housing in ceiling applications greater than 1". Consult factory.

LUCIFER LIGHTING COMPANY

3750 IH35 North
San Antonio, Texas 78219
Phone: 210 227-7329
FAX: 210 227-4967
www.luciferlighting.com

ELECTRICAL

Housing is pre-wired for use with Lucifer recessed downlight trims. All DHX models listed for thru-branch circuit wiring. Minimum 90°C supply wiring required to power DHX Series housings.

TRANSFORMER

Powered by U.L. recognized magnetic or electronic transformer, 120v primary, 12v secondary, maximum wattage determined by trim. Optional magnetic transformer, 277v primary, 12v secondary, 50w maximum. The model DHX-E electronic transformer features integral RFI protection. Order transformer for DHX-R separately. For HID applications, a U.L. recognized 120v primary, 20w secondary electronic ballast, and a U.L. recognized 120v primary, 39w secondary electronic ballast are used.

LAMP

12v MR-16 halogen lamp, maximum wattage determined by trim (order separately). For HID applications a 20w and a 39w lamp is available. Specify lamp beam spread.

LABEL

U.L. Listed housing for dry and damp, non-IC locations. When used with the DL21X trim, this housing is suitable for covered wet locations. File No. E115025. Housing must have 3" setback, minimum, from insulation on all sides, and 1/2" setback, minimum, from combustible materials on all sides to fulfill UL/NEC requirements.

©2008 Lucifer Lighting Company

As part of its policy of continuous research and product development, the Company reserves the right to change or withdraw specifications without prior notice.