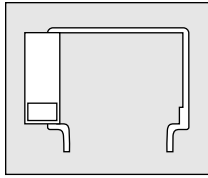


DHT/ZF - Housing

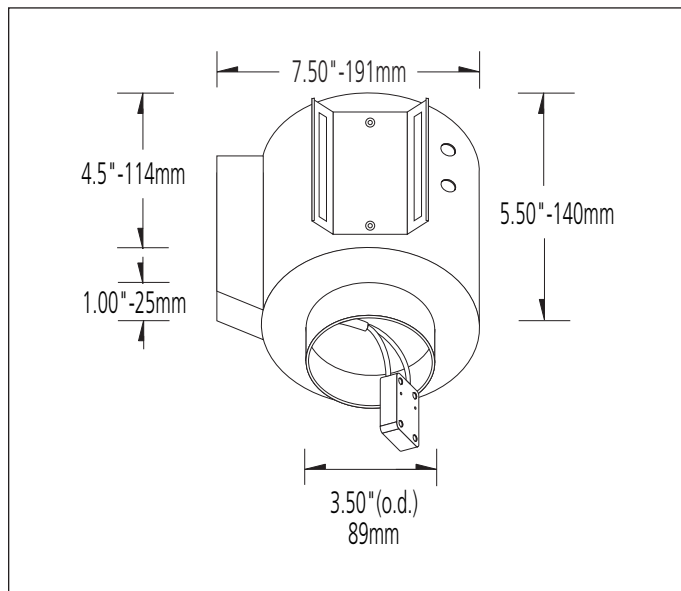
RECESSED DOWNLIGHT HOUSING FOR MINIMAL TRIM FLANGE OVERLAY



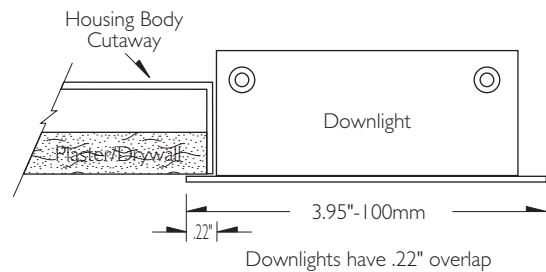
PRODUCT SPECIFICATION

Cat. No.	Description
DHT/ZF	Low voltage housing with integral 12v electronic transformer
DHT/ZF-R	Housing for use with remote transformer ‡

‡ Remote transformer must be ordered separately.



DHT/ZF HOUSING



Minimal Trim Protrusion

GENERAL DESCRIPTION

Low voltage recessed housing for use with recessed downlight trims in non-IC, accessible and non-accessible ceilings up to one inch thickness, 50w maximum lamp usage. Housing is fabricated to accept downlight trims which upon installation provide for minimal trim flange protrusion over ceiling line. Transformer compartment and all splice connections are installed and may be serviced from room side. Hangar bars are included. Use DHT/ZF housing for small diameter trim models DL1ZP-2, DL2RZP-2, DL2RZP-CT, DL2RZP-CTM, DL5ZP-2, DL11Z-2, DL15Z-2, DL21Z-2, DL23Z-2, DL24Z-2, and DL25Z-2.

MATERIAL

Fixture housing is riveted aluminum.

ELECTRICAL

Housing is pre-wired for use with recessed downlight trims. **Minimum 105°C supply wiring required to power housing with conventional 50w MR-16 lamp.**

Minimum 90°C supply wiring required to power housing with new energy efficient 37w rated MR-16 lamp equivalent to 50w output. When connected by N.E.C. recognized wiring methods, this housing shall be permitted to carry through conductors of a 2-wire or multibranch circuit supplying the housing.

TRANSFORMER

Powered by U.L. Recognized integral 120v primary, 12v secondary electronic transformer (50w maximum), which is dimmable. Order transformer for DHT/ZF-R separately.

LABEL

U.L. Listed for dry and damp, non-IC locations. File No. E115025. Housing must have 3" setback, minimum, from insulation on all sides, and 1/2" setback, minimum, from combustible materials on all sides to fulfill UL/NEC requirements.

LUCIFER
LIGHTING COMPANY

414 Live Oak Street
San Antonio, Texas 78202
Phone 210 227-7329
FAX 210 227-4967
www.luciferlighting.com

©2004 Lucifer Lighting Company

As part of its policy of continuous research and product development, the Company reserves the right to change or withdraw specifications without prior notice.

0967-1004