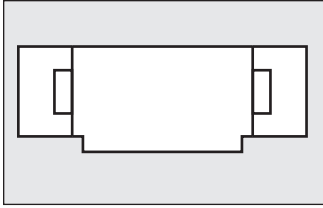


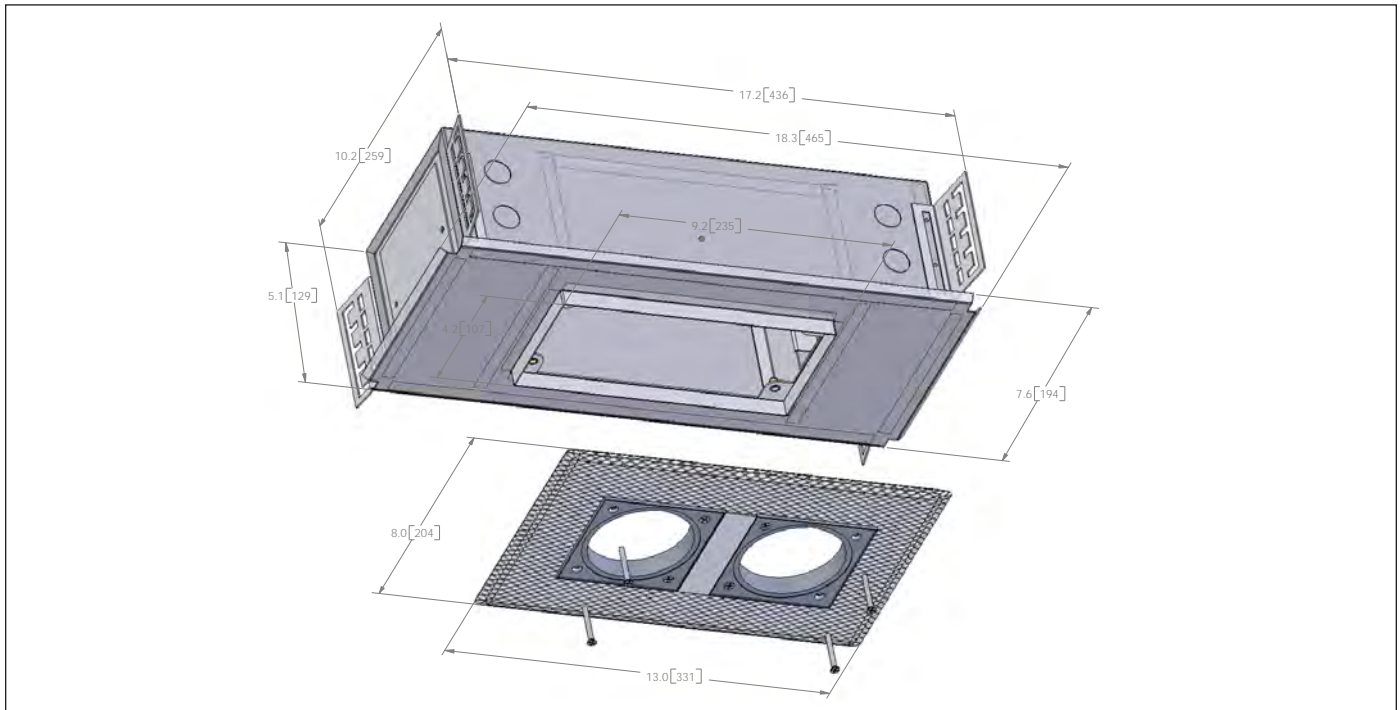
DHSM2 Housing

PLENUM RATED HOUSING

PRODUCT SPECIFICATION



Cat. No.	Description
DHSM2-E-120	Plenum housing with integral 12v electronic transformers



DHSM2 HOUSING

GENERAL DESCRIPTION

Recessed housing for use in accessible and non-accessible, non-insulated ceilings, complete with integral electronic transformers. Housing accommodates ceiling thickness up to 1". Steel hanging bars and brackets are also included. Transformer and all electrical components serviceable from below. Compatible Lucifer downlight trims for use with this housing include models: DL31Z, DL32DGZ, and DL35Z.

MATERIAL

Housing is fabricated from sheet steel. DHSM2 unit is sealed and gasketed to comply with City of Chicago and ASTM E-283-84 airtight requirements.

ELECTRICAL

Housing is pre-wired for use with Lucifer recessed downlight trims. Model DHSM2 will be listed for thru-branch circuit wiring. Minimum 90°C supply wiring required to power housing.

TRANSFORMER

Powered by U.L. recognized electronic transformers, 120v primary, 12v secondary, 50w maximum, which are dimmable.

LABEL

U.L. Listed trim and housing for dry and damp location. Housing must have 3" setback, minimum, from insulation on all sides, and 1/2" setback, minimum, from combustible materials on all sides to fulfill UL/NEC requirements.

LUCIFER
LIGHTING COMPANY

3750 IH35 North
San Antonio, TX 78219
Phone: 800 879-9797
Fax: 210 227-4967
luciferlighting.com

©2007 Lucifer Lighting Company

As part of its policy of continuous research and product development, the Company reserves the right to change or withdraw specifications without prior notice.

0000-0807