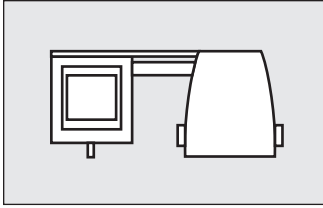


DHM - Remodel Housing

RECESSED DOWNLIGHT HOUSING

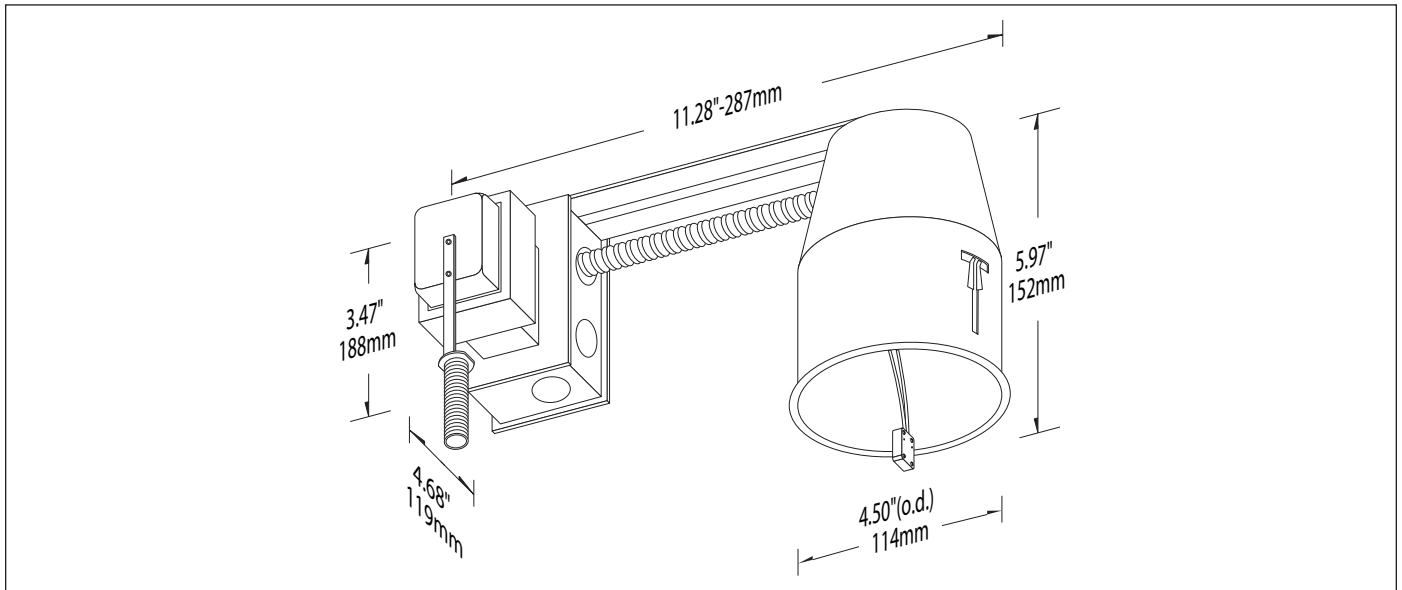
PRODUCT SPECIFICATION



Cat. No.	Description
DHM-M-*	Housing with integral 12V magnetic transformer
DHM-E-120	Housing with integral 12V electronic transformer
DHM-R	Housing for use with remote transformer ‡

* Specify 120 (120V primary) or 277 (277V primary)

‡ Remote transformer must be ordered separately.



DHM HOUSING

GENERAL DESCRIPTION

Recessed housing for use in existing construction, complete with 12V integral transformer. Can be ordered for use with remote transformer. Splice compartment and transformer assembly include adjustable leg for support and balancing in ceiling. Supplied with retractable mounting clips to accommodate ceiling thickness of 1/2" to 1 1/4". Splice compartment front is removable for easy access and is mechanically secured by spring clips. Splice compartment is provided with five 3/4 inch knockouts. Compatible Lucifer downlight trims for use with this housing include models: DL1X, DL1XM, DL1XMM, DL1XP, DL1XMP, DL1XMMP, DL2X, DL2XM, DL2XMM, DL2RX, DL2RXM, DL2RXMM, DL2RXP, DL2RXMP, DL2RXMMP, DL4X, DL4XM, DL5XP, DL5XMP, DL5XMMP, DL11X, DL11XM, DL1XMM, DL12X, DL13, DL13M, DL15X, DL15XM, DL15XMM, DL18, DL21X, DL21XCP

MATERIAL

Can enclosure and splice compartment are steel fabricated. Housing can is painted white. Steel conduit provides passage for wire between can enclosure and splice compartment.

ELECTRICAL

Housing is pre-wired for use with Lucifer recessed downlight trims. Internal wiring rated to maximum of 160° C.

TRANSFORMER

DHM-M is powered by an integral U.L. recognized Class H magnetic transformer, 120V or 277V primary, 12V secondary, 50w maximum. DHM-E is powered by a dimmable electronic transformer, 120V primary, 12V secondary, 50w maximum. DHM-R is for use with a remote transformer (order separately).

LABEL

U.L. Listed trim and housing for dry and damp, non-IC locations. File No. E115025. Housing must have 3" setback, minimum, from insulation on all sides, and 1/2" setback, minimum, from combustible materials on all sides to fulfill UL/NEC requirements.

LUCIFER
LIGHTING COMPANY

3750 IH35 North
San Antonio, Texas 78219
Phone 210 227-7329
FAX 210 227-4967
www.luciferlighting.com

©2008 Lucifer Lighting Company

As part of its policy of continuous research and product development, the Company reserves the right to change or withdraw specifications without prior notice.

0966-0108