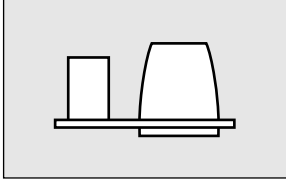


DHC/DHC-A HOUSING

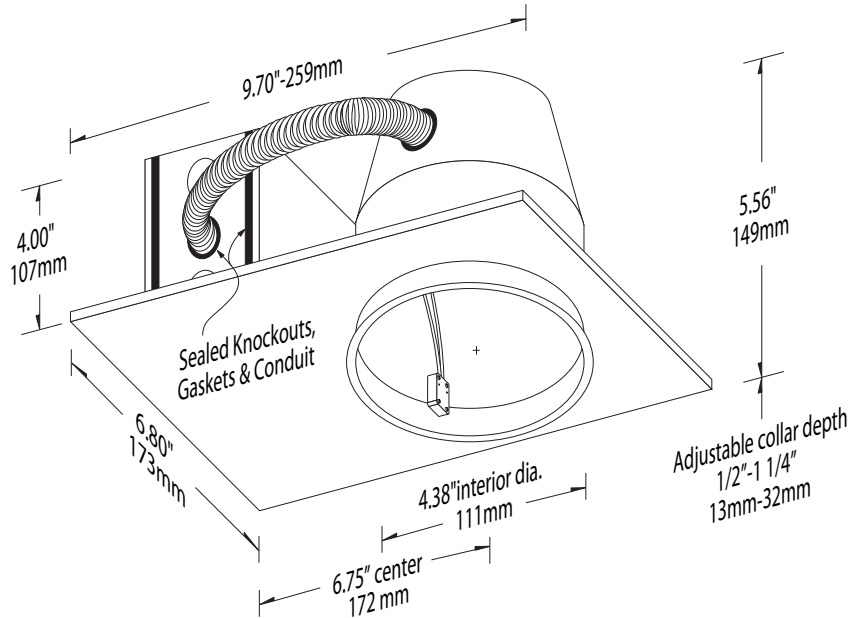
PLENUM RATED HOUSING



PRODUCT SPECIFICATION

Cat. No.	Description
DHC-M-*	Plenum housing with integral 12V magnetic transformer
DHC-A-M-*	Airtight housing with integral 12V magnetic transformer

*Specify 120 (120V primary) or 277 (277V primary)



DHC HOUSING

GENERAL DESCRIPTION

Recessed housing for use in accessible and non-accessible, non-insulated ceilings complete with integral magnetic transformer. Housing accommodates ceiling thickness of 1/2" to 1-1/4". Steel hanging bars and brackets are also included. Transformer and all electrical components serviceable from below. Compatible Lucifer Downlight trims for use with this housing include models: DL1X, DL1XM, DL2X, DL2XM, DL2RX, DL2RXM, DL4X, DL4XM, DL5X, DL5XM, DL7, DL8, DL11X, DL11XM, DL12X, DL13, DL13M, DL15X, DL15XM, DL16X, DL18, and DL21X.

MATERIAL

Tray is fabricated steel; can is spun aluminum. DHC unit is sealed with gaskets to comply with City of Chicago and ASTM-E-283-84 airtight requirements. DHC-A is sealed with gaskets to comply with ASTM-E-283-84 airtight requirements.

ELECTRICAL

Housing is pre-wired for use with Lucifer recessed downlight trims. All DHC models are listed for thru-branch circuit wiring. Minimum 90°C supply wiring required to power DHC Series housings.

TRANSFORMER

Powered by U.L. recognized magnetic transformer, 120V or 277V primary, 12V secondary, 50W maximum.

LAMP

DHC is U.L. and City of Chicago Listed for use in air plenums. U.L. File No. E115025. City of Chicago Calendar No. 1964E. DHC-A is U.L. Listed and meets ASTM-E-283-84 airtight requirements. Housing must have 3" setback minimum from insulation on all sides, and 1/2" setback minimum from combustible materials on all sides to fulfill UL/NEC requirements.

LUCIFER
LIGHTING COMPANY

3750 IH 35 North
San Antonio, Texas 78219
Phone 210 227-7329
FAX 210 227-4967
www.luciferlighting.com

©2008 Lucifer Lighting Company

As part of its policy of continuous research and product development, the Company reserves the right to change or withdraw specifications without prior notice.