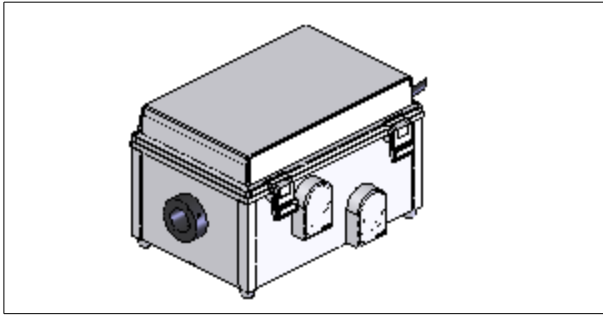


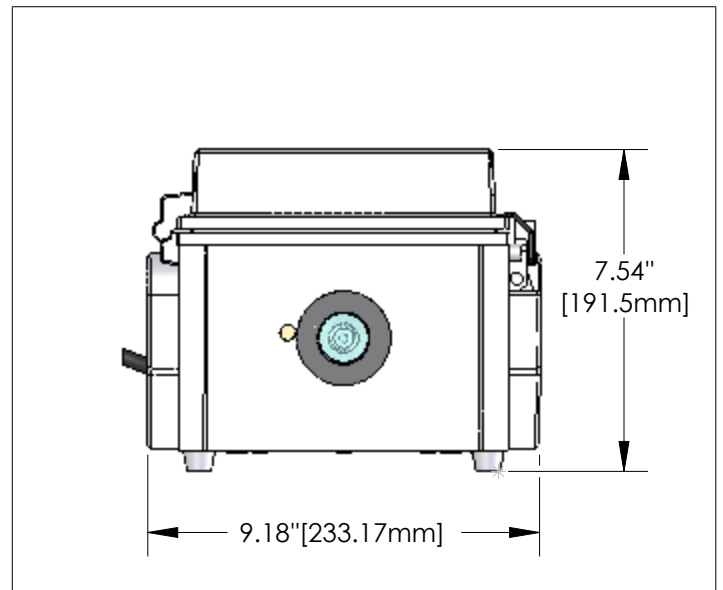
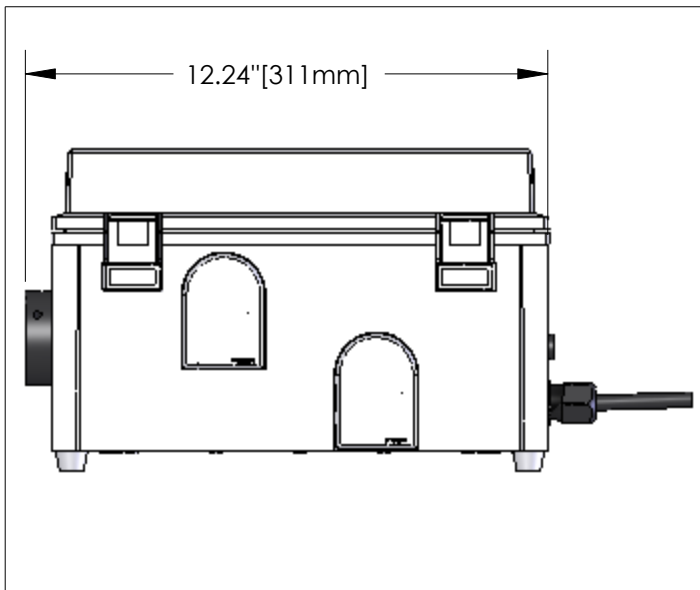
# ILQH-4

## FANLESS WET LOCATION ILLUMINATOR



## PRODUCT SPECIFICATION

Catalog No.	Description
ILQH-4-120-30mm	75w Quartz Halogen Illuminator, 3000 K



### GENERAL DESCRIPTION

Fiber optic illuminator for use in wet locations. Complete with transformer, lamp, and grounded plug-in service cord. Unit is fanless with optional motor drive for effects wheel. Standard mounting position is horizontal, consult factory if alternate position is required. Illuminator is not to be submerged in water.

### MATERIAL

Uses a gasketed corrosion and water resistant polymer housing with latching hinged lid. Common end port boss is machined of aircraft grade aluminum with a black anodized finish.

### LAMP

Fitted with 71w MR-16 40° flood quartz halogen lamp, 3000 K color temperature and 4000 hour average rated life.

### ACCESSORIES

Illuminator may be accessorized with motorized Color Wheel, Sparkle Wheel, Dimming Wheel, or Single Dichroic filter.

### LABEL

ETL and C-ETL listed for wet locations as a portable luminaire.

### ELECTRICAL

Illuminator (120v only) comes prewired with a 7 ft, grounded plug-in service cord.

### TRANSFORMER

Illuminator is powered by a U.L. recognized electronic transformer for 120v primary only.

**LUCIFER**  
LIGHTING COMPANY

3750 IH 35 North  
San Antonio, Texas 78219  
Phone. 210 227-7329  
FAX 210 227-4967  
www.luciferlighting.com

© 2006 Lucifer Lighting Company  
As part of its policy of continuous product improvement, the Company reserves the right to change or withdraw specifications with or without prior notice.