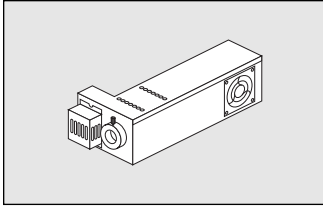


# ILQH-I

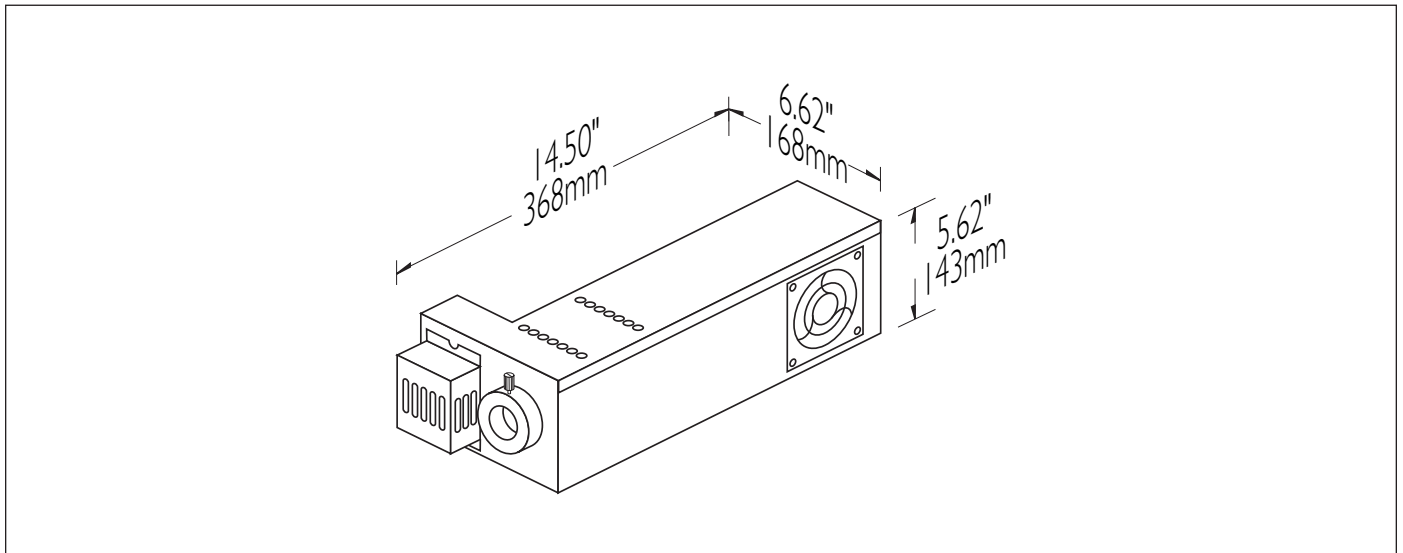
## FIBER OPTIC ILLUMINATOR

# PROVISIONAL PRODUCT SPECIFICATION



| Cat. No. | Description |
|----------|-------------|
|----------|-------------|

|        |  |
|--------|--|
| ILQH-I | 75w Quartz Halogen Illuminator, 3000°K |
|--------|--|



ILQH-I ILLUMINATOR

### GENERAL DESCRIPTION

Fiber optic illuminator for use in dry/damp interior location. Complete with cooling fan, transformer, UV filter, lamp and grounded plug-in service cord. Hinged lid with electrical disconnect. Illuminators are suitable for use with glass or plastic fiber optic harnesses. Recommended mounting position is horizontal.

### MATERIAL

Illuminator housing is fabricated steel, covered with a durable powder coat finish. Common end port boss is machined aircraft grade aluminum.

### PORT OPENING

Illuminator port opening 30mm standard.

### LAMPS

75w MR-16 quartz halogen lamp, 3000°K color temperature, 4000 hour average rated life.

### ACCESSORIES

Illuminator may be accessorized with motorized Color Wheel, Sparkle Wheel, Dimming Wheel or a Single Dichroic Filter.

### LABEL

U.L.-CUL Listed fiber optic illuminator for dry and damp interior locations. File No. E141004.

### ELECTRICAL

Illuminator (120v only) comes prewired with a 7 foot long grounded plug-in service cord. Illuminators are also listed for hard wire installations.

### TRANSFORMER/BALLAST

Illuminators is powered by U.L. recognized transformer 120v primary only.

**LUCIFER**  
LIGHTING COMPANY

414 Live Oak Street  
San Antonio, Texas 78202  
Phone 210 227-7329  
FAX 210 227-4967  
www.luciferlighting.com

©2004 Lucifer Lighting Company

As part of its policy of continuous research and product development, the Company reserves the right to change or withdraw specifications without prior notice.

1068-1104