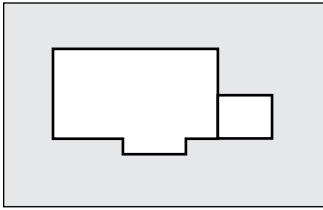


DHI/ZF-C - Insulated Airtight Housing

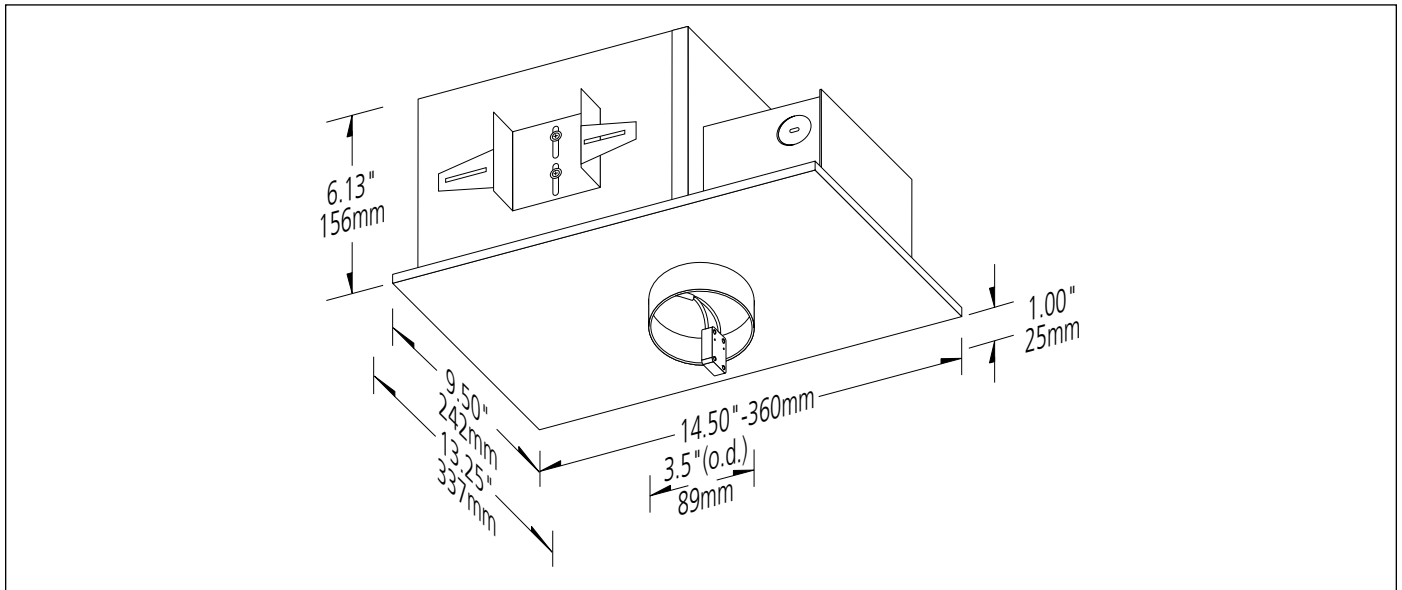
RECESSED DOWNLIGHT HOUSING FOR MINIMAL FLANGE OVERLAY

PRODUCT SPECIFICATION



| Cat. No. | Description |
|----------|-------------|
|----------|-------------|

| | |
|----------|---|
| DHI/ZF-C | Low voltage housing with integral 12v electronic transformer for use in insulated ceilings with Chicago plenum rating |
|----------|---|



DHI/ZF-C HOUSING

GENERAL DESCRIPTION

Low voltage recessed housing for use with recessed downlight trims in insulated, accessible and non-accessible ceilings up to one inch thickness, 50w maximum lamp usage. Housing is fabricated to accept downlight trims which upon installation provide for minimal trim flange protrusion over ceiling line. Transformer compartment and all splice connections are installed and may be serviced from room side. Hangar bars are included. Use DHI/ZF-C housing for small diameter trim models DL1ZP-2, DL2RZP-2, DL2RZP-CT, DL2RZP-CTM, DL5ZP-2, DL11Z-2, DL15Z-2, DL21Z-2, DL23Z-2, DL24Z-2, DL25Z-2, DL31Z, DL32Z, and DL35Z.

MATERIAL

Fixture housing is riveted aluminum.

ELECTRICAL

Housing is pre-wired for use with recessed downlight trims. Minimum 90°C supply wiring required to power housing. When connected by N.E.C. recognized wiring methods, this housing shall be permitted to carry through conductors of a 2-wire or multibranch circuit supplying the housing.

TRANSFORMER

Powered by U.L. Recognized integral 120v primary, 12v secondary electronic transformer (50w maximum), which is dimmable. The transformer in this housing includes RFI protection as a standard feature.

LABEL

U.L. Listed housing for use in direct contact with insulation in dry and damp locations. Restricted air flow meets Washington State Air-Tight requirements and ASTM E-283-84. When used with the DL21X trim, this housing is suitable for covered wet locations. File No. E115025. Housing is marked CCEA suitable for City of Chicago Environmental Airspaces (plenum).

SHIPPING

Carton size: 14" x 14" x 9"; Weight: 8 lbs.

LUCIFER
LIGHTING COMPANY

3750 IH35 North
San Antonio, TX 78219
Phone: 800 879-9797
Fax: 210 227-4967
luciferlighting.com

©2007 Lucifer Lighting Company

As part of its policy of continuous research and product development, the Company reserves the right to change or withdraw specifications without prior notice.

0000-0807