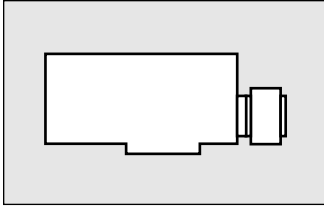


# DHI - Insulated Ceiling Housing

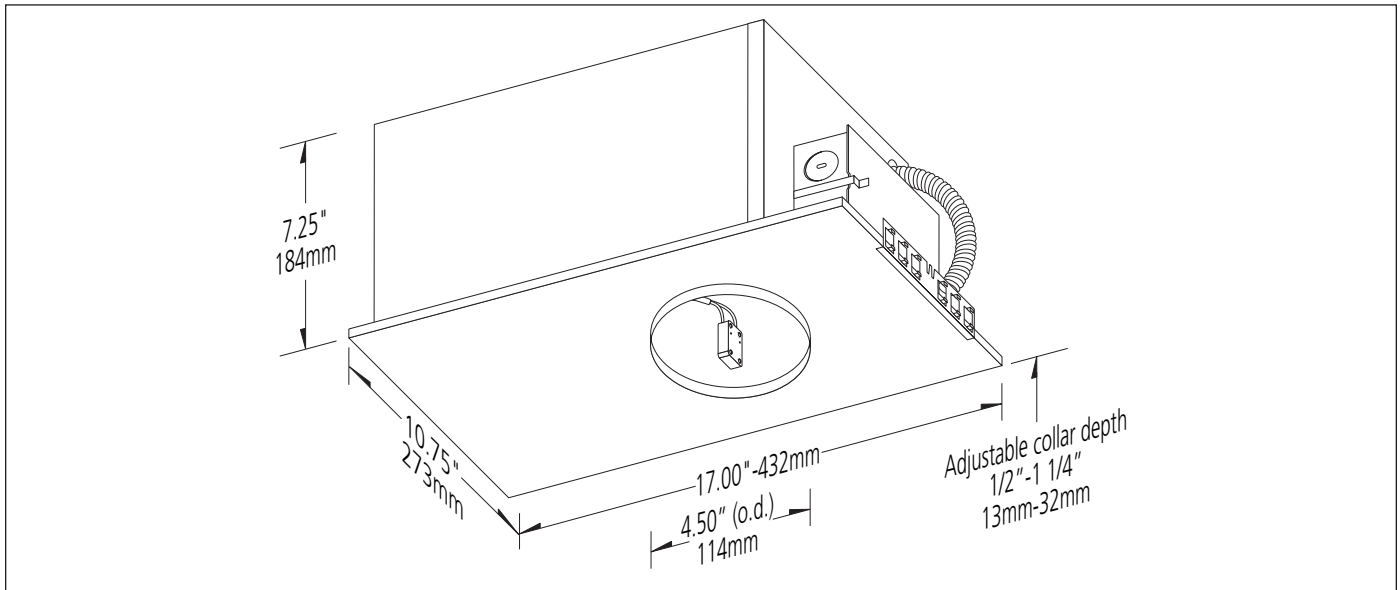
## RECESSED DOWNLIGHT HOUSING

# PRODUCT SPECIFICATION



Cat. No.	Description
----------	-------------

DHI-M*	Housing with integral 12v magnetic transformer for use in insulated, airtight ceilings
DHI-R	Housing for use with remote transformer ‡
DHI-E-120	Housing with integral 12v electronic transformer
* Specify 120 (120v primary) or 277 (277v primary)	
‡ Remote transformer must be ordered separately.	



DHI HOUSING

### GENERAL DESCRIPTION

Recessed **airtight** housing designed for use in accessible and non-accessible insulated ceilings, complete with integral magnetic transformer. Can be ordered for use with remote transformer. Housing accommodates ceiling thickness of 1/2" to 1 1/4". Steel hanging bars and brackets are included. Compatible Lucifer downlight trims for use with this housing include models: DL1X, DL1XM, DL2X, DL2XM, DL2RX, DL2RXM, DL2RXMM, DL4X, DL4XM, DL5X, DL5XM, DL7, DL8, DL11X, DL11XM, DL12X, DL13, DL13M, DL15X, DL15XM, DL16X, DL18, and DL21X.

### MATERIAL

Fixture housing is fabricated of aluminum with a steel cover plate and an enclosure. Splice compartment is steel fabricated and provided with six knockouts for passage of leads.

### ELECTRICAL

Housing is pre-wired for use with Lucifer recessed downlight trims. All DHI models are listed for thru-branch circuit wiring. Minimum 90°C supply wiring

required to power DHI Series housings. Internal leads sleeved with fiberglass and rated to minimum of 175°C.

### TRANSFORMER

DHI-M is powered by U.L. Recognized Class H magnetic transformer. Standard 120v or 277v primary, 12v secondary, 50w maximum. Transformer secured to enclosure by threaded studs and wingnuts, and provided with quick disconnect plugs. DHI-R is intended for use with a U.L. Recognized Lucifer Lighting Company TK series remote transformer (order separately). DHI-E is powered by an integral dimmable electronic transformer featuring integral RFI protection.

### LABEL

U.L. Listed housing for use in direct contact with insulation in dry and damp locations. Restricted air flow meets Washington State Air Tight requirements and ASTM E-283-84. When used with the DL21X trim, this housing is suitable for covered wet locations. File No. EI15025.

**LUCIFER**  
LIGHTING COMPANY

414 Live Oak Street  
San Antonio, Texas 78202  
Phone 210 227-7329  
FAX 210 227-4967  
www.luciferlighting.com

©2004 Lucifer Lighting Company

As part of its policy of continuous research and product development, the Company reserves the right to change or withdraw specifications without prior notice.

0964-1004