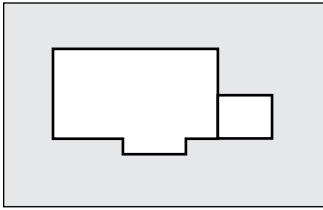


# DHI/ZO-C - Insulated Airtight Housing

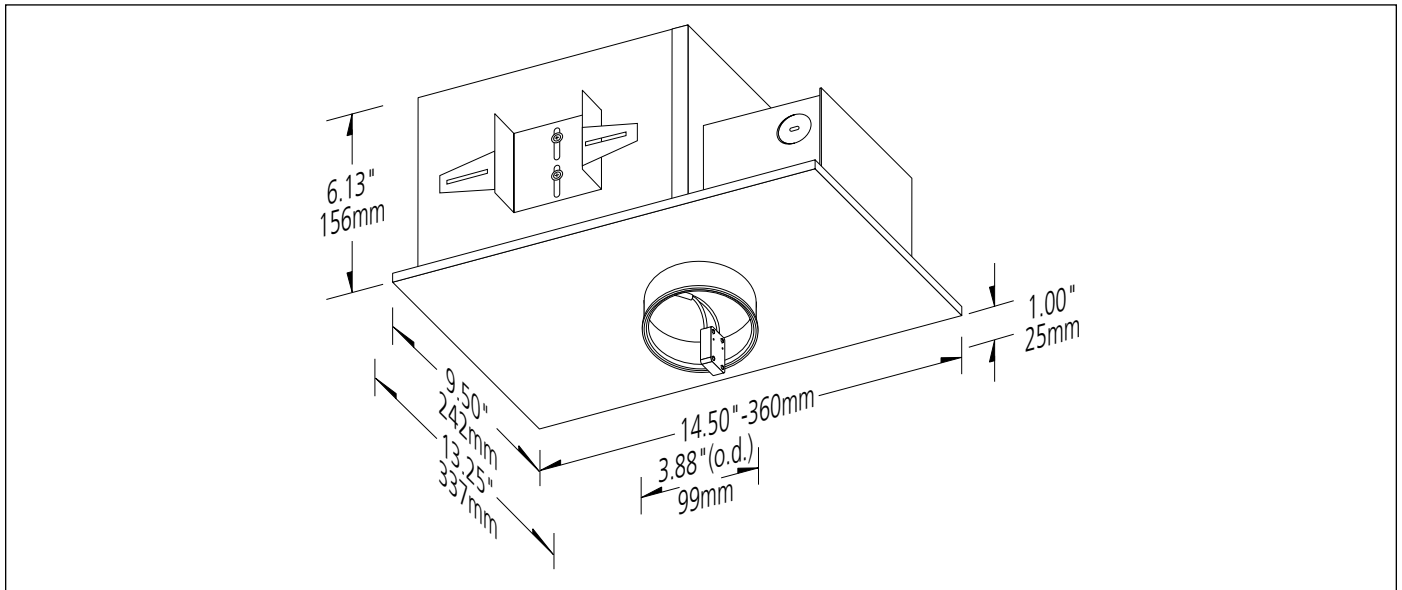
## RECESSED DOWNLIGHT HOUSING FOR ZERO SIGHT LINE TRIMS

# PRODUCT SPECIFICATION



Cat. No.	Description
----------	-------------

DHI/ZO-C	Low voltage housing with integral 12v electronic transformer for use in insulated ceilings with Chicago plenum rating
----------	---



DHI/ZO-C HOUSING

### GENERAL DESCRIPTION

Low voltage recessed housing for use with recessed downlight trims in insulated, accessible and non-accessible ceilings up to one inch thickness, 50w maximum lamp usage. Plaster flange on housing allows for zero sight line upon downlight trim installation. Transformer compartment and all splice connections are installed and may be serviced from room side. Model ZOIK drywall installation kit is included with Model DHI/ZO-C. It contains a reinforcing screen for applying joint compound when used in drywall ceiling. Hangar bars are also included. Use DHI/ZO-C housing for small diameter trim models DLI ZP-I, DL2RZP-I, DL2RZP-CT, DL2RZP-CTM, DL5ZP-I, DLI IZ-I, and DLI 5Z-I. Order DLA-APP-Z-SQ applique with square trim models DL3IZ, DL3Z, and DL35Z.

### MATERIAL

Fixture housing is riveted aluminum.

### ELECTRICAL

Housing is pre-wired for use with recessed downlight trims. Minimum 90°C supply wiring required to power housing. When connected by N.E.C. recognized

wiring methods, this housing shall be permitted to carry through conductors of a 2-wire or multibranch circuit supplying the housing.

### TRANSFORMER

Powered by U.L. Recognized integral 120v primary, 12v secondary electronic transformer (50w maximum), which is dimmable. The transformer in this housing includes RFI protection as a standard feature.

### LABEL

U.L. Listed housing for use in direct contact with insulation in dry and damp locations. Restricted air flow meets Washington State Air Tight requirements and ASTM E-283-84. When used with the DL2IX trim, this housing is suitable for covered wet locations. File No. EI 15025. Housing is marked CCEA suitable for City of Chicago Environmental Airspaces (plenum).

### SHIPPING

Carton size: 14" x 14" x 9"; Weight: 8 lbs.

**LUCIFER**  
LIGHTING COMPANY

3750 IH35 North  
San Antonio, TX 78219  
Phone: 800 879-9797  
Fax: 210 227-4967  
luciferlighting.com

©2007 Lucifer Lighting Company

As part of its policy of continuous research and product development, the Company reserves the right to change or withdraw specifications without prior notice.

0000-0807