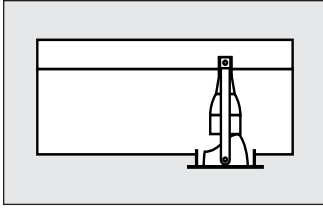


DHH/DL22R

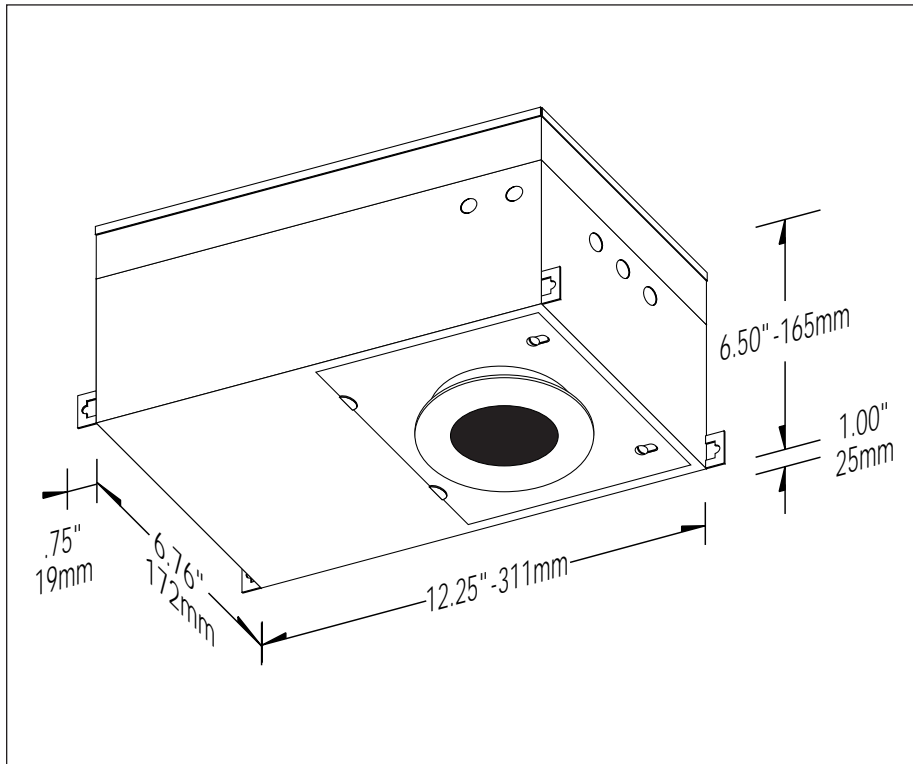
RECESSED DOWNLIGHT HOUSING/TRIM ASSEMBLY

PROVISIONAL PRODUCT SPECIFICATION

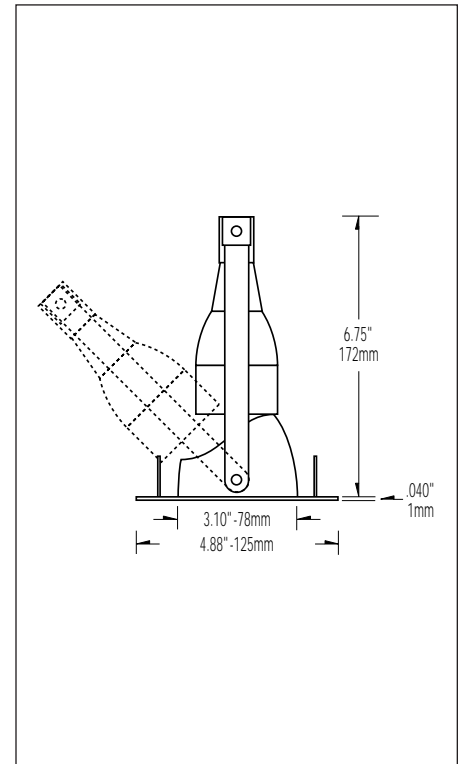


Cat. No. Description

DHH/DL22R Line voltage housing/trim assembly



DHH HOUSING (shown with DL22R Trim)



DL22R TRIM

GENERAL DESCRIPTION

Recessed housing for use in accessible and non-accessible non-insulated ceilings. Steel hanging bars and brackets included with housing. Downlight trim is recessed, adjustable line voltage fixture with trim plate which mounts flush to ceiling plane. Round opening with deeply recessed lamp in aluminum reflector, adjustable 45° from vertical. Uses a Par 20 halogen lamp. (50w maximum).

MATERIAL

Fixture housing and downlight trim are steel fabricated. Housing provided with steel trim cover which secures to enclosure by tabs and screws.

ELECTRICAL

Housing is pre-wired for use exclusively with Lucifer recessed downlight trim model DL22R. Minimum 90°C supply wiring required to power DHH/DL22R Series Housing/Trim Fixture operates on 120v AC.

LABEL

Listing pending.

LUCIFER
LIGHTING COMPANY

414 Live Oak Street
San Antonio, Texas 78202
Phone 210 227-7329
FAX 210 227-4967

©1999 Lucifer Lighting Company

As part of its policy of continuous research and product development, the Company reserves the right to change or withdraw specifications without prior notice.